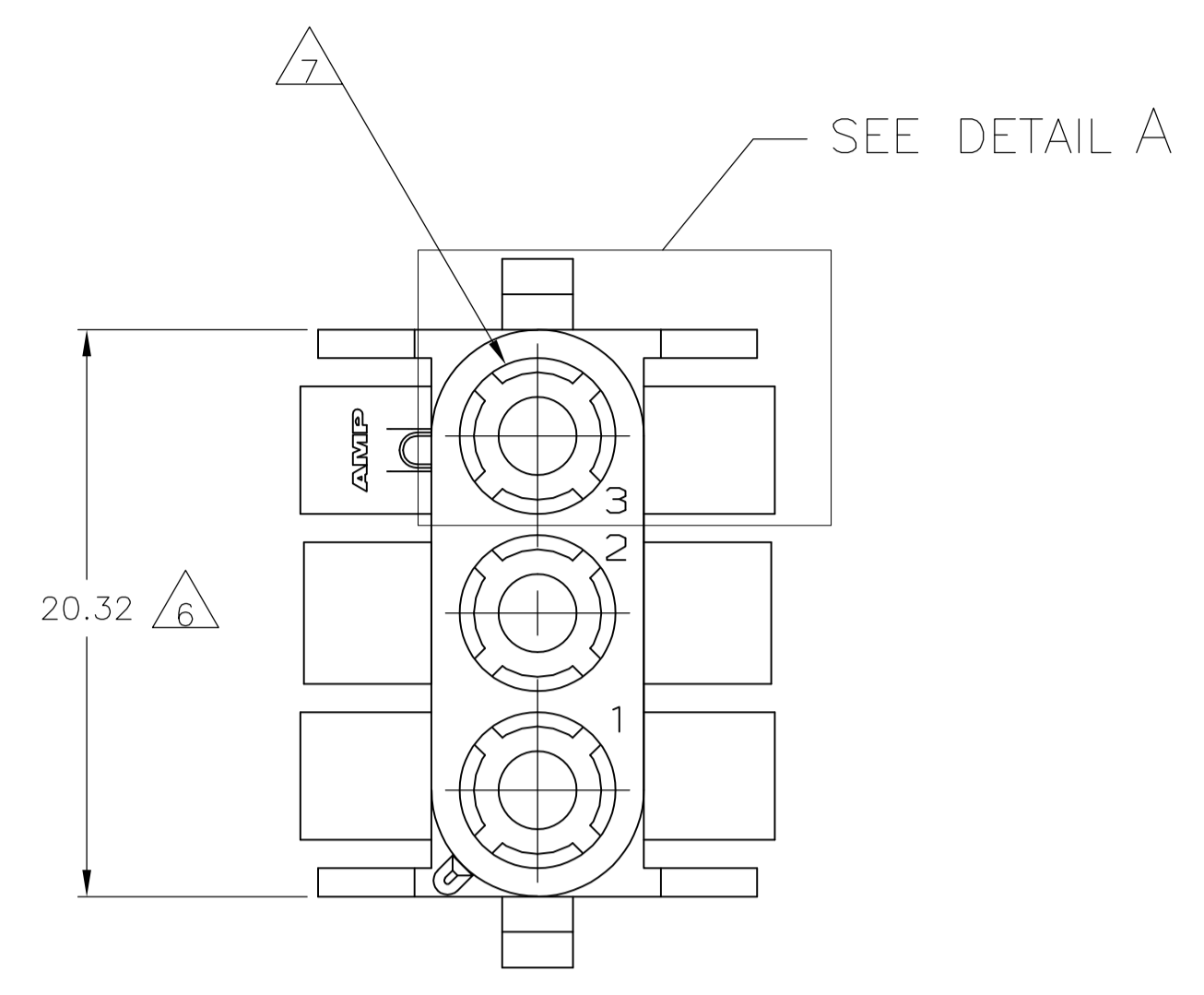
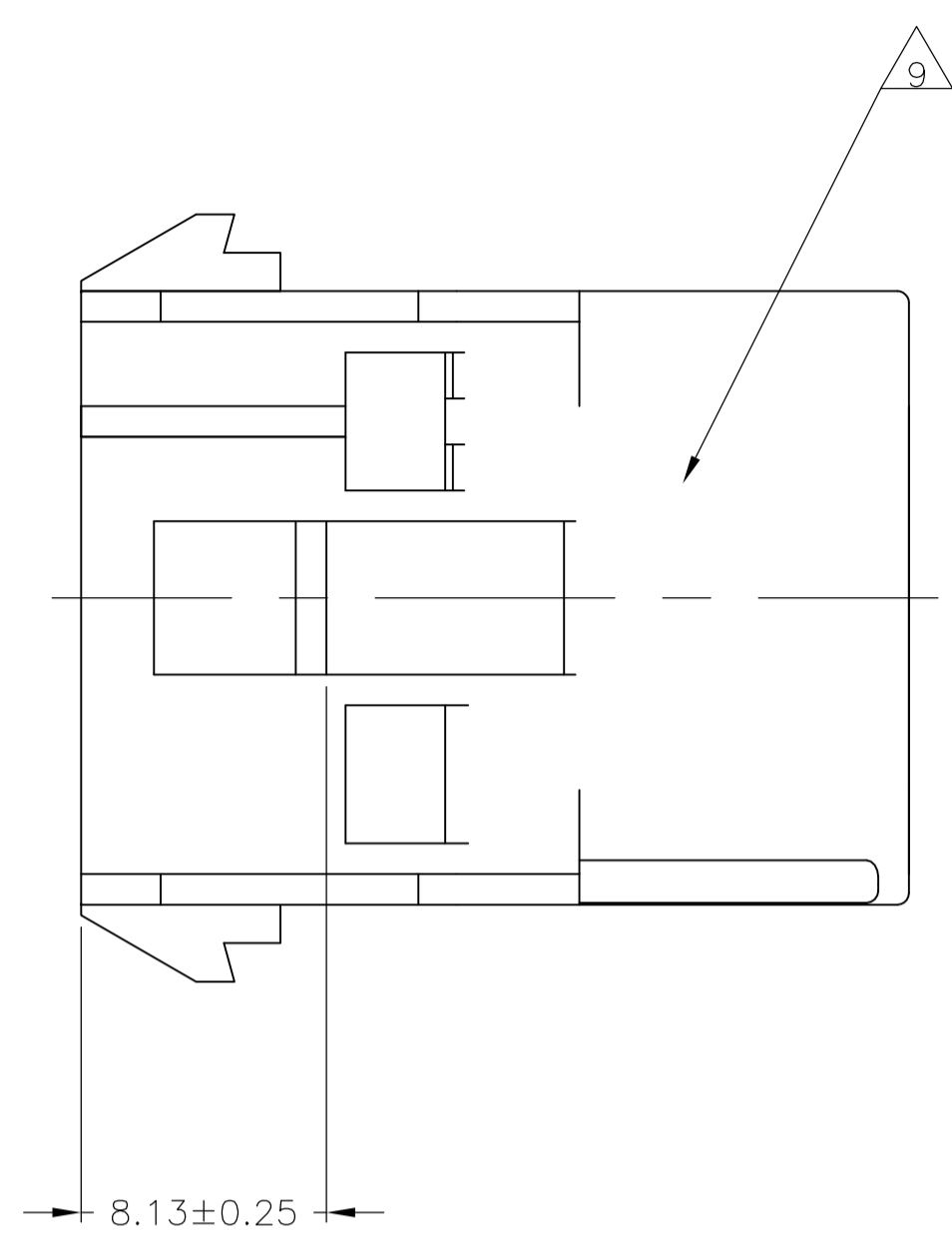
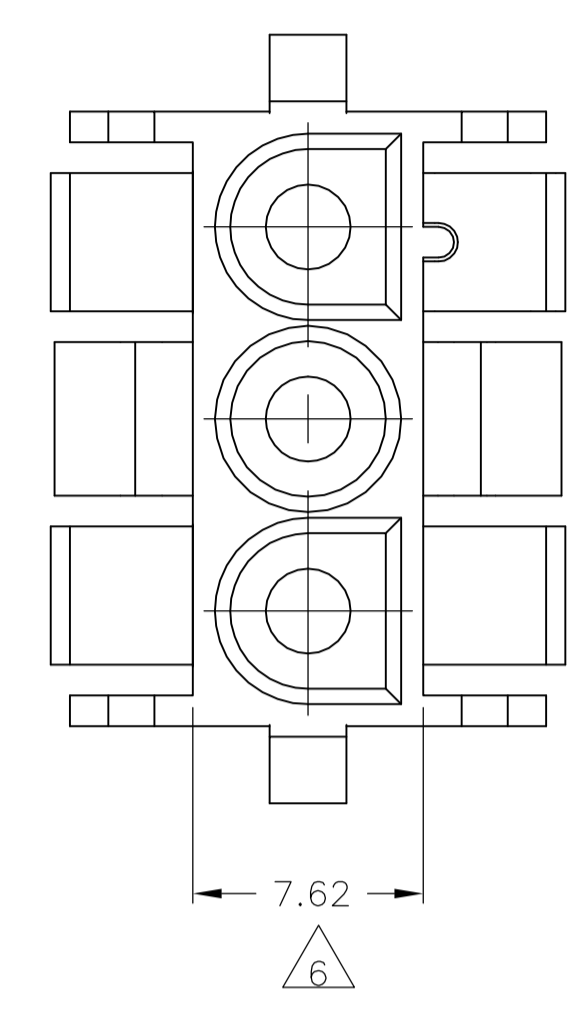
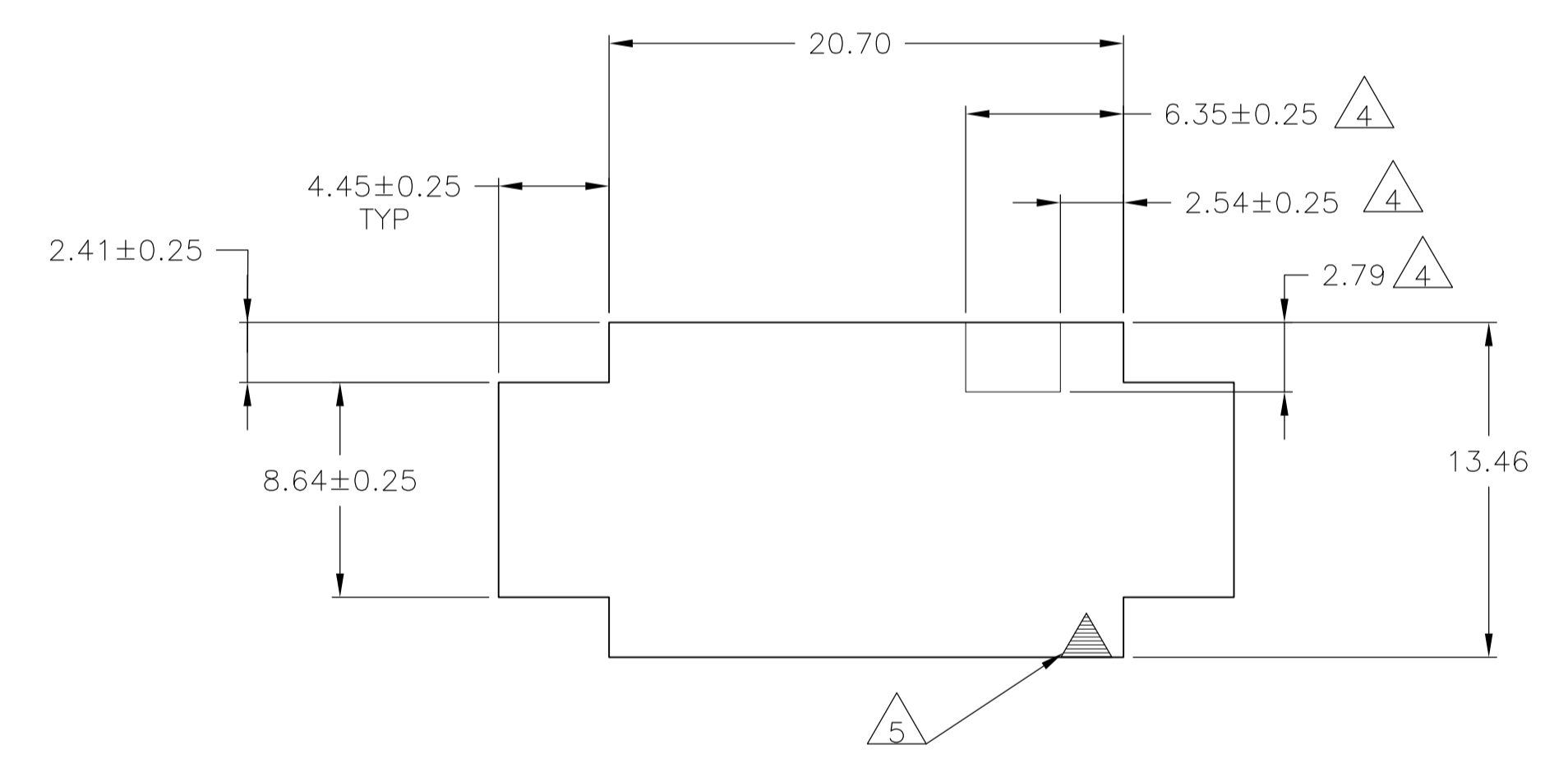
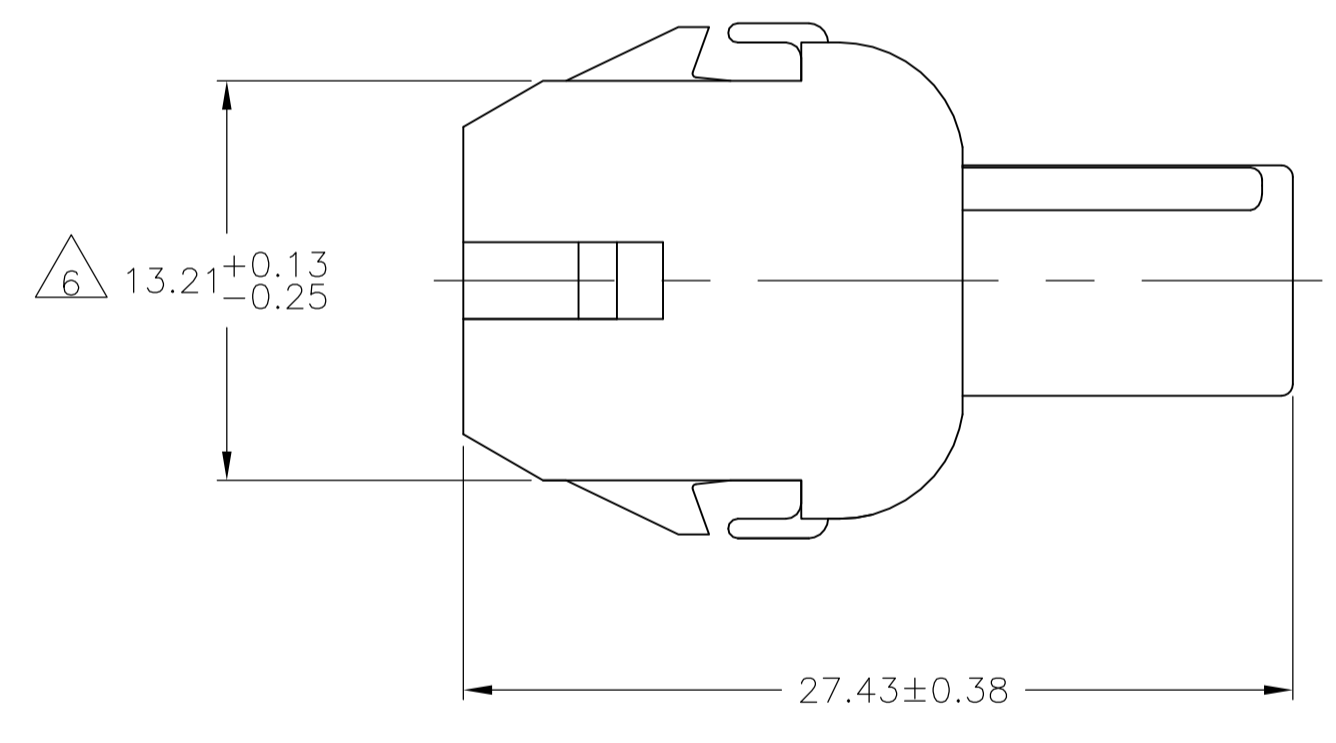
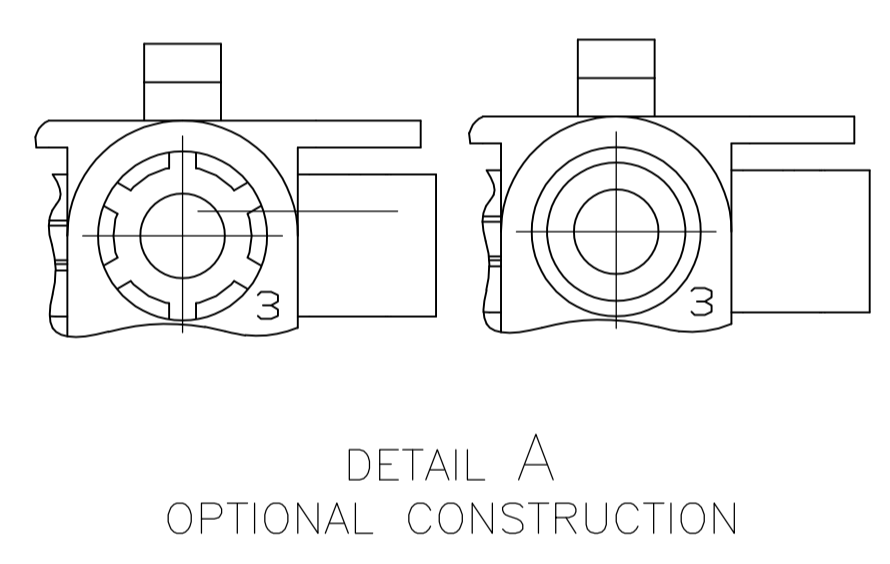


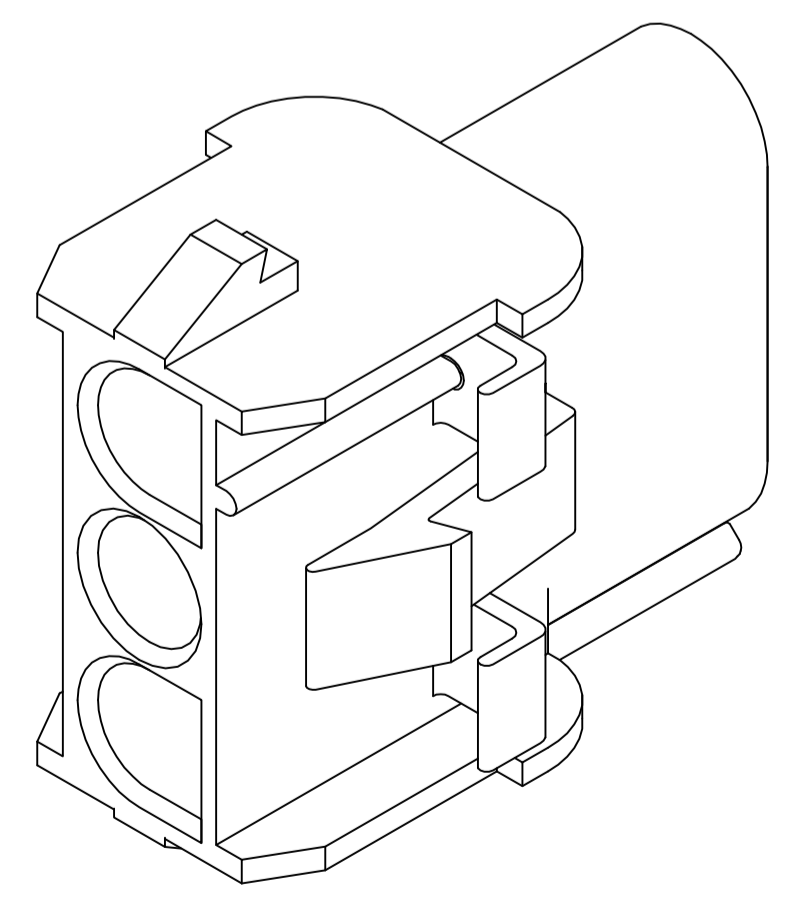
LOC	DIST	REVISIONS			
P	LTR	DESCRIPTION	DATE	DMN	APVD
CM	53	Y3	REVISED PER ECO-11-004587	11MAR11	RK HMR



1. MATES WITH APPROPRIATE UNIVERSAL MATE-N-LOK™ PLUG.
2. RECOMMENDED PANEL THICKNESS 0.76 - 2.29.
3. PANEL MUST BE PUNCHED SO THAT THE HOUSING ENTERS THE PANEL IN THE SAME DIRECTION AS THE PUNCH.
4. OPTIONAL FOR KEYING HOUSING IN PANEL.
5. CIRCUIT NUMBER 1 LOCATION.
6. DIMENSION INDICATED IS AS MOLDED. ADDITIONAL GROWTH DUE TO SUBSEQUENT MOISTURE ABSORPTION MAY OCCUR.
7. FOUR RIBS EQUALLY SPACED, NO SPECIFIC ORIENTATION. NO RIBS OR SIX RIBS EQUALLY SPACED, NO SPECIFIC ORIENTATION, OPTIONAL.
8. FOR FOREIGN PRODUCTION ONLY.
9. UNDERWRITERS RECOGNIZED COMPONENT LOGO AND CSA CERTIFICATION LOGO TO BE LOCATED ONCE EACH ON SIDE OF HOUSING.



RECOMMENDED PANEL CUT OUT

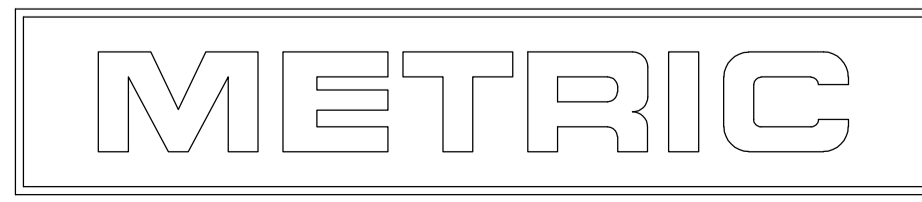


3-DIMENSIONAL MODEL NTS

MM	IN	MM	IN
4.45	.175	27.43	1.080
2.79	.110	20.70	.815
2.54	.100	20.32	.800
2.41	.095	13.46	.530
2.29	.090	13.21	.520
0.76	.030	8.64	.340
0.38	.015	8.13	.320
0.25	.010	7.62	.300
0.13	.005	6.35	.250
MM	IN	MM	IN

CONVERSION TABLE

BLACK	NYLON UL94V-0	1-350767-9
GRAY	NYLON UL94V-0	1-350767-8
BLUE	NYLON UL94V-0	1-350767-6
GREEN	NYLON UL94V-0	1-350767-5
YELLOW	NYLON UL94V-0	1-350767-4
ORANGE	NYLON UL94V-0	1-350767-3
RED	NYLON UL94V-0	1-350767-2
BROWN	NYLON UL94V-0	1-350767-1
Δ	NYLON UL94V-0	350767-2
NATURAL	NYLON UL94V-0	350767-1
COLOR	MATERIAL	PART NUMBER



THIS DRAWING IS A CONTROLLED DOCUMENT.

DIN K WHITAKER 20JUL92
CHK R SWING 20JUL92
APP'D D SELF 21JUL92
PRODUCT SPEC

NAME: CAP.3 CIRCUIT, UNIVERSAL MATE-N-LOK™

SIZE: A1
CAGE CODE: 00779
DRAWING NO: 350767

RESTRICTED TO: -

CUSTOMER DRAWING SCALE: 4:1 SHEET: 1 OF 1 REV: Y3