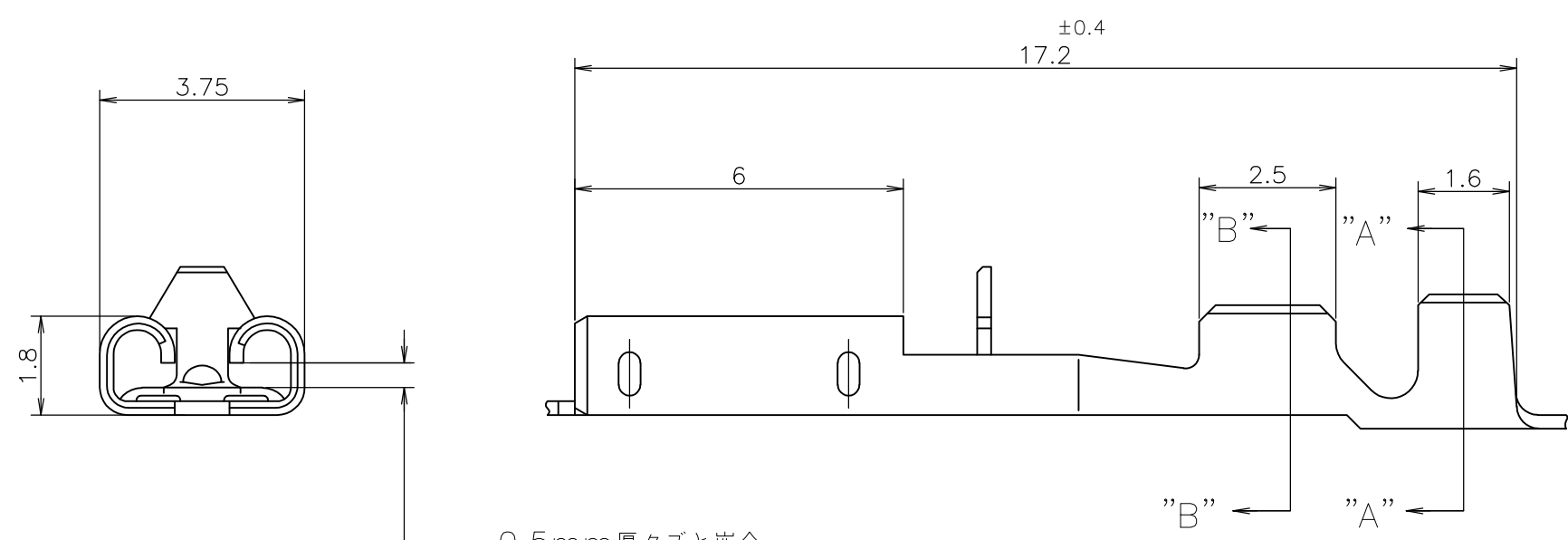
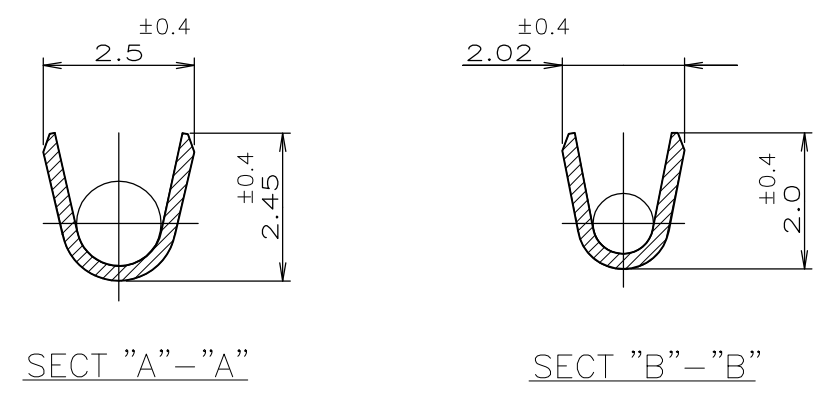
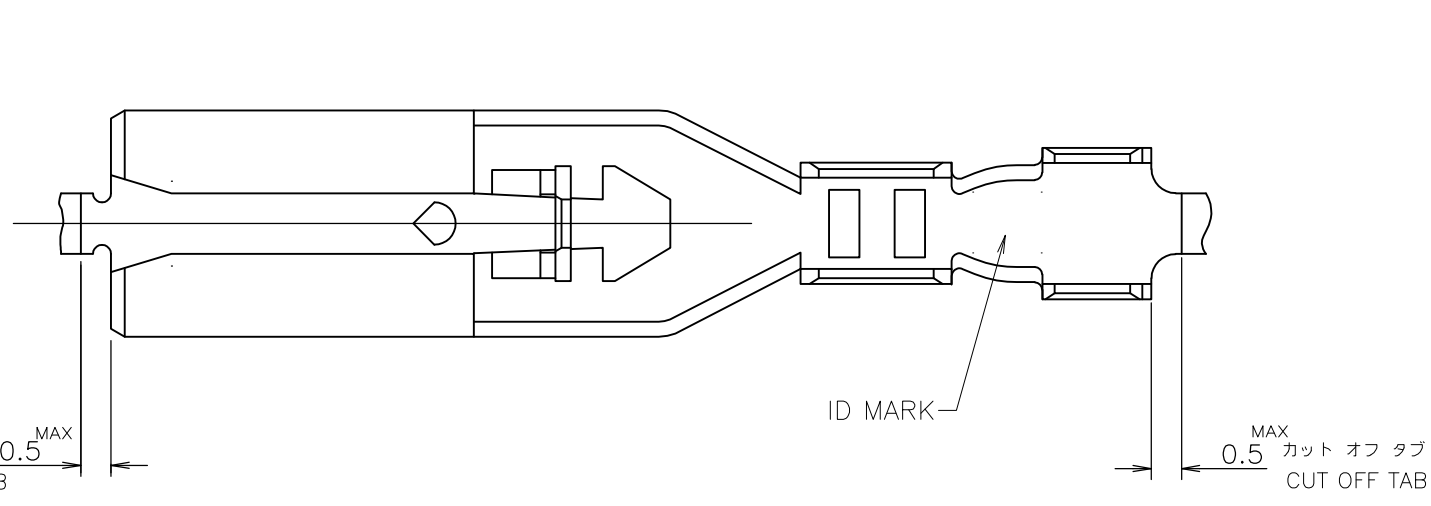


THIS DRAWING IS UNPUBLISHED. RELEASED FOR PUBLICATION
 © COPYRIGHT - By - ALL RIGHTS RESERVED.

LOC	DIST	REVISIONS 変更			
P	LTR	DESCRIPTION	DATE	DWN	APVD
J	—	F2	REVISED PER ECO-11-005030	11MAR11	RK HMR
		F3	REVISED PER ECO-13-003391	25FEB13	B.P YH.M



0.5mm厚タブと嵌合
MATE WITH 0.5mm THK. TAB

- NOTES
- HOUSING P/N : 174779-1
 - APPLICATER P/N: 909101-2
 - LOOSE PIECE P/N: SEE TABLE
 - ⚠️ OBSOLETE PARTS: OBSOLETE CIS STREAMLINING PER D.RENAUD/D.SINISI

パラ状・型番 LOOSE PIECE P/N	材料 MATERIAL	型番 P/N
— // —	BRASS, GOLD PLATING	175411-7
— // —	めっきなし・黄銅 PLAIN BRASS	175411-5
175412-2	錫めっき済磷青銅 PRE-TIN PHOS BRO	⚠️ 175411-2
175412-1	錫めっき済黄銅 PRE-TIN BRASS	175411-1

WIRE RANGE 総合電線断面積 AWG #24~#20	INSULATION DIA 被覆外径 φ1.02~φ1.78
--------------------------------------	---------------------------------------

THIS DRAWING IS A CONTROLLED DOCUMENT.		DWN B.P	24JAN13	 TE Connectivity	NAME 名称 110SERIES POSITIVE LOCK REC. CONTACT													
DIMENSIONS: 単位: 耗 mm		CHK F.M	24JAN13															
TOLERANCES UNLESS OTHERWISE SPECIFIED: 一般公差		APVD YH.M	24JAN13															
<table border="1"> <tr><td>0 PLC</td><td>± 0.2</td></tr> <tr><td>1 PLC</td><td>± 0.25</td></tr> <tr><td>2 PLC</td><td>± 0.3</td></tr> <tr><td>3 PLC</td><td>± 0.3</td></tr> <tr><td>4 PLC</td><td>±</td></tr> <tr><td>ANGLES</td><td>± 3DEG</td></tr> </table>		0 PLC	± 0.2			1 PLC	± 0.25	2 PLC	± 0.3	3 PLC	± 0.3	4 PLC	±	ANGLES	± 3DEG	PRODUCT SPEC 製品規格 108-5252	SIZE	CAGE CODE
0 PLC	± 0.2																	
1 PLC	± 0.25																	
2 PLC	± 0.3																	
3 PLC	± 0.3																	
4 PLC	±																	
ANGLES	± 3DEG																	
MATERIAL 材料 SHEE TABLE	FINISH 仕上 SHEE TABLE	WEIGHT 0.244g	A3	00779	1 OF 1	REV F4												
CUSTOMER DRAWING			SCALE 尺度 8:1															