

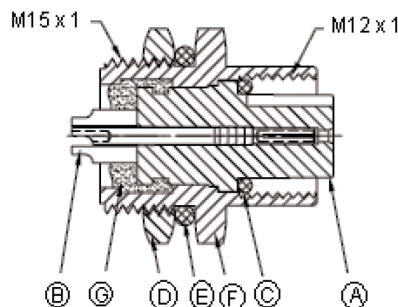
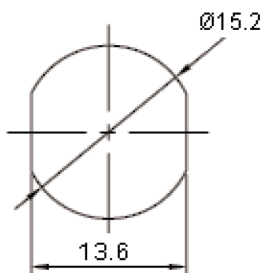
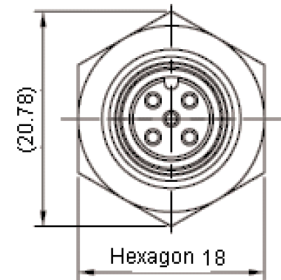
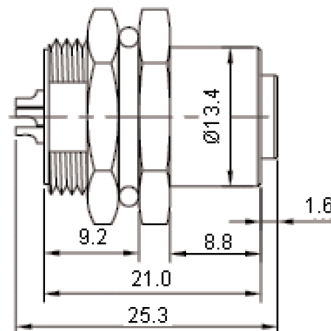
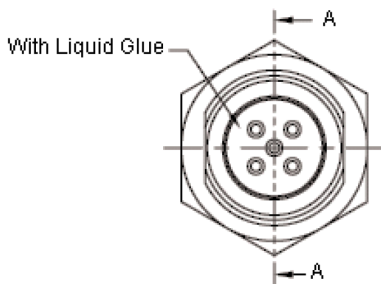


Specifications:

Waterproof Rate : IP68
 IP68 : Immersed in 1m water for 24 hours

Electrical Characteristics:

Temperature Range : -40°C to +100°C
 Current Rating : 60V AC/DC 5A
 Dielectric Withstanding Voltage : 500V AC for one minute
 Specifications : M12 series specifications
 To conform to singatron hazardous substance free specifications
 For Panel Thickness Maximum of 3.5mm



Recommended Panel Cut-Out


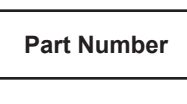

Section A-A

Dimensions : Millimetres

Specifications Table

Item	Description	Material	Plating and Colour
A	Body	Nylon + 33%GF	Black
B	Female PIN	Phosphor Bronze Alloy	6µ Inches Gold Plated Over Nickel Plating
C	O-Ring	Viton	Red
D	Nut	Brass	Nickel Plating 100µ"
E	O-Ring	EPDM	Black
F	Shield	Brass	Nickel Plating 100µ"
G	Liquid Glue	-	Black

Part Number Table

Description	PIN Assignments Front View	Part Number
Socket, Panel, Rear MNT, 5A, 3 Way		2MT3000-W03300
Socket, Panel, Rear MNT, 5A, 4 Way		2MT3000-W04300
Socket, Panel, Rear MNT, 5A, 5 Way		2MT3000-W05300

Important Notice : This data sheet and its contents (the "Information") belong to the members of the Premier Farnell group of companies (the "Group") or are licensed to it. No licence is granted for the use of it other than for information purposes in connection with the products to which it relates. No licence of any intellectual property rights is granted. The Information is subject to change without notice and replaces all data sheets previously supplied. The Information supplied is believed to be accurate but the Group assumes no responsibility for its accuracy or completeness, any error in or omission from it or for any use made of it. Users of this data sheet should check for themselves the Information and the suitability of the products for their purpose and not make any assumptions based on information included or omitted. Liability for loss or damage resulting from any reliance on the Information or use of it (including liability resulting from negligence or where the Group was aware of the possibility of such loss or damage arising) is excluded. This will not operate to limit or restrict the Group's liability for death or personal injury resulting from its negligence. Multicomp is the registered trademark of the Group. © Premier Farnell plc 2012.