

5

4

3

2

1

DRAWING NO.
40-9415HDS-CUST

REVISIONS

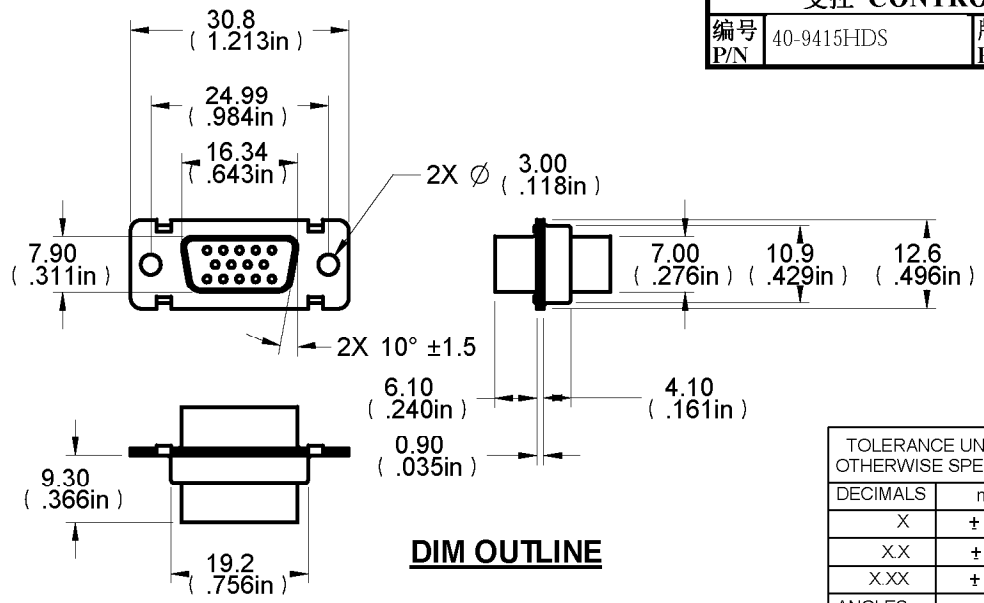
01	OFFICIAL RELEASE			
	11-26-09	Y	U	U

Betty 2009.12.17
10:33:13
408.00'

Description: HI-Density Crimp 15 Pin Socket
 Part No: 40-9415HDS
 Application: 94 Series D-Sub Connector
 Crimp Tool: N/A
 Impedance: N/A
 Frequency Range: N/A
 Material: Shell Steel, Tin plated
 Insulator PBT+Fiber-grass, UL94-V0
 RoHS Compliance: Yes
 Technical Detail: N/A



受控 CONTROLLED DOCUMENT					
编号 P/N	40-9415HDS	版本 Rev	01	日期 Rel'd Date	DEC 17, 09



CUSTOMER COPY

TOLERANCE UNLESS OTHERWISE SPECIFIED	DRAWN BY	DATE
DECIMALS	BETTY.YU	11-26-09
X	CHECKED BY	DATE
± 0.5	BETTY.YU	11-26-09
XX	APPROVED BY	DATE
± 0.3	THOMAS	11-26-09
X.XX	U/M	mm
± 0.2		
ANGLES		
± 0.5°		

EMERSON
Network Power

Connectivity Solutions

TITLE
HI-DENSITY CRIMP 15 PIN SOCKET

THIS DRAWING WAS PRODUCED BY COMPUTER, DO NOT SCALE DRAWING OR UPDATE MANUALLY.

SHEET	DRAWING NO.	SIZE
1 OF 1	40-9415HDS-CUST	A

5

4

3

2

1