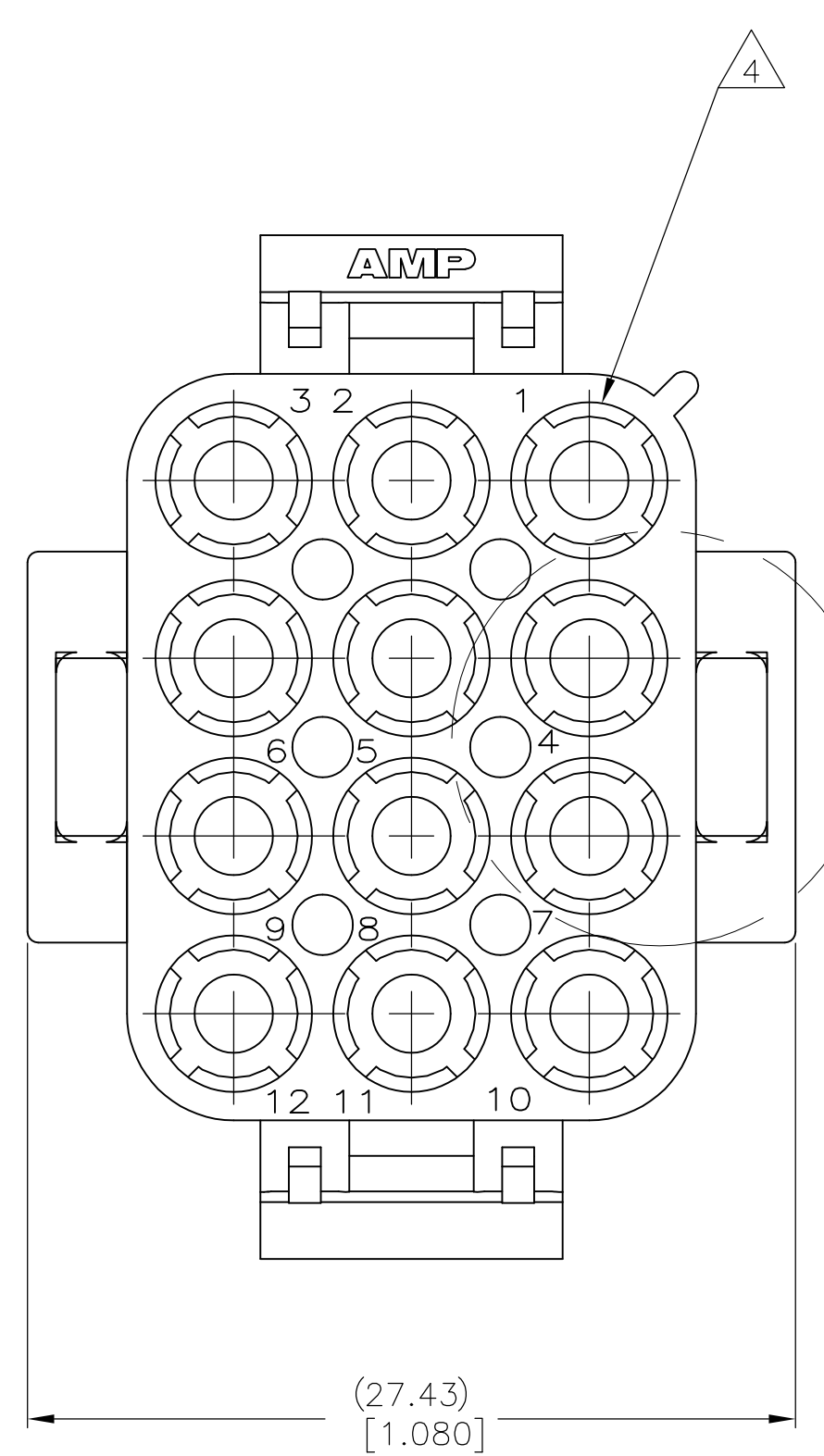
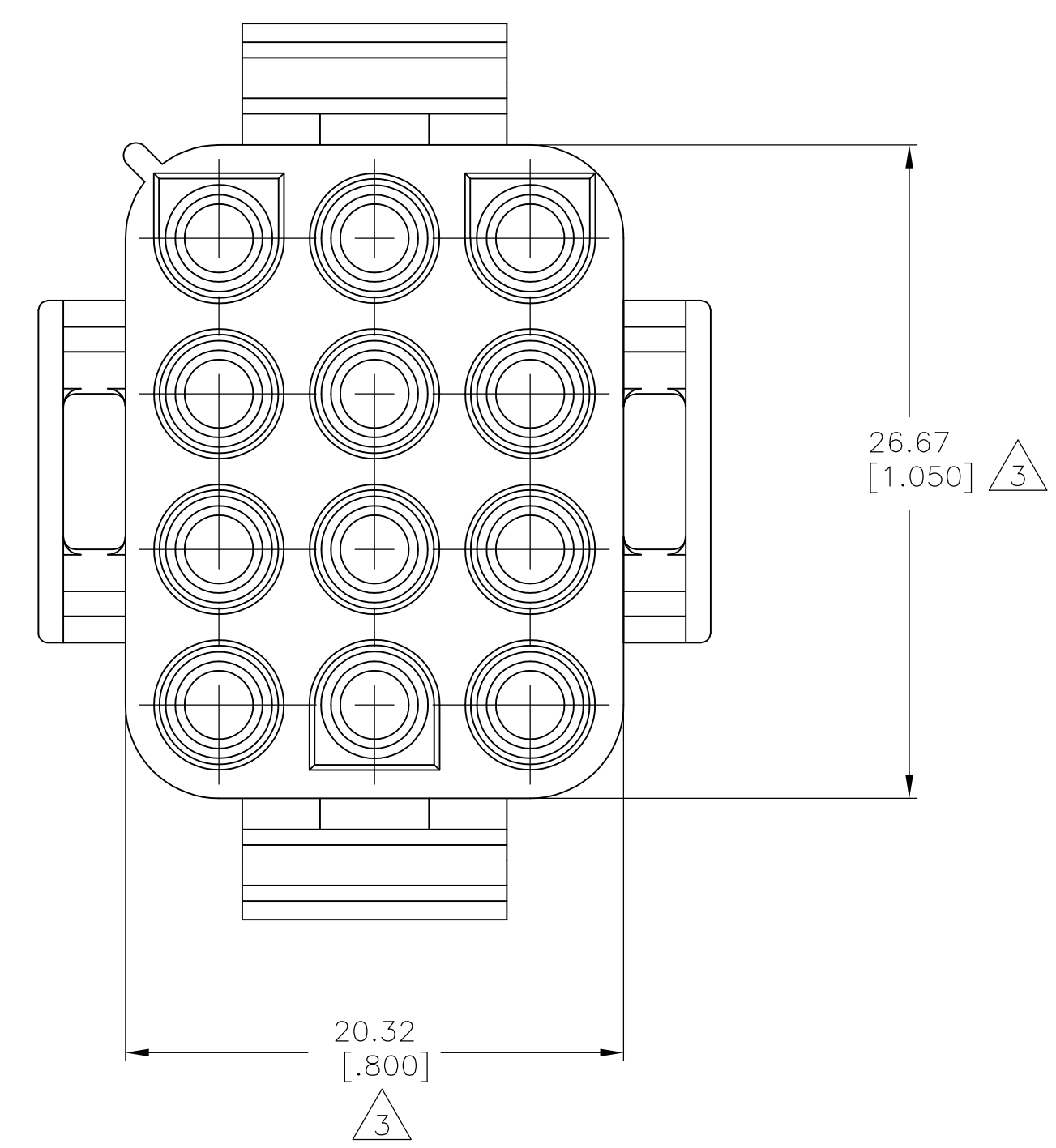
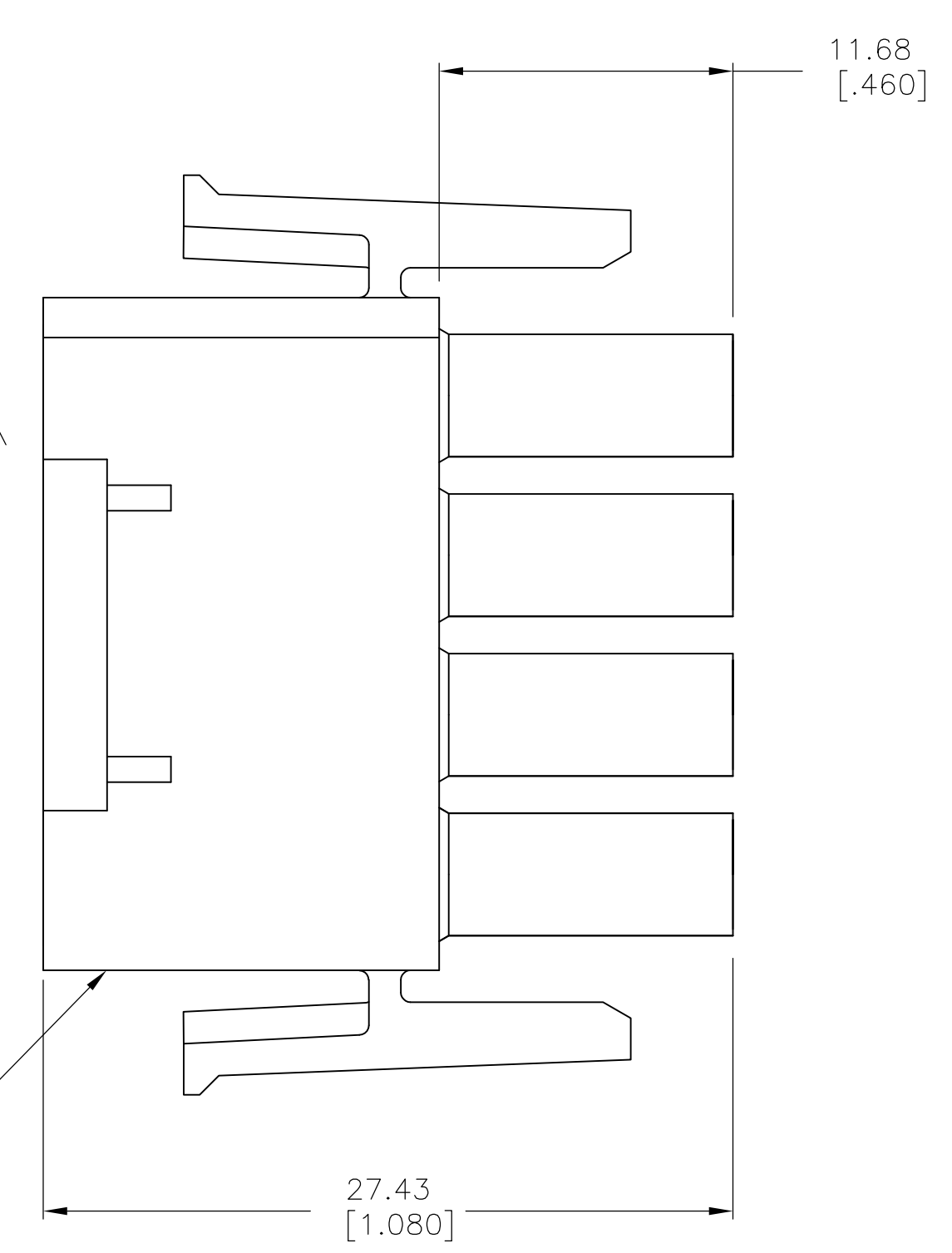


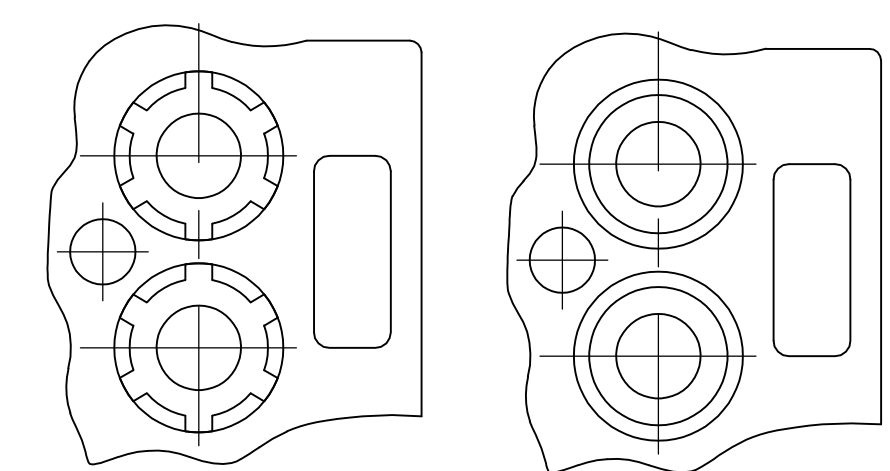
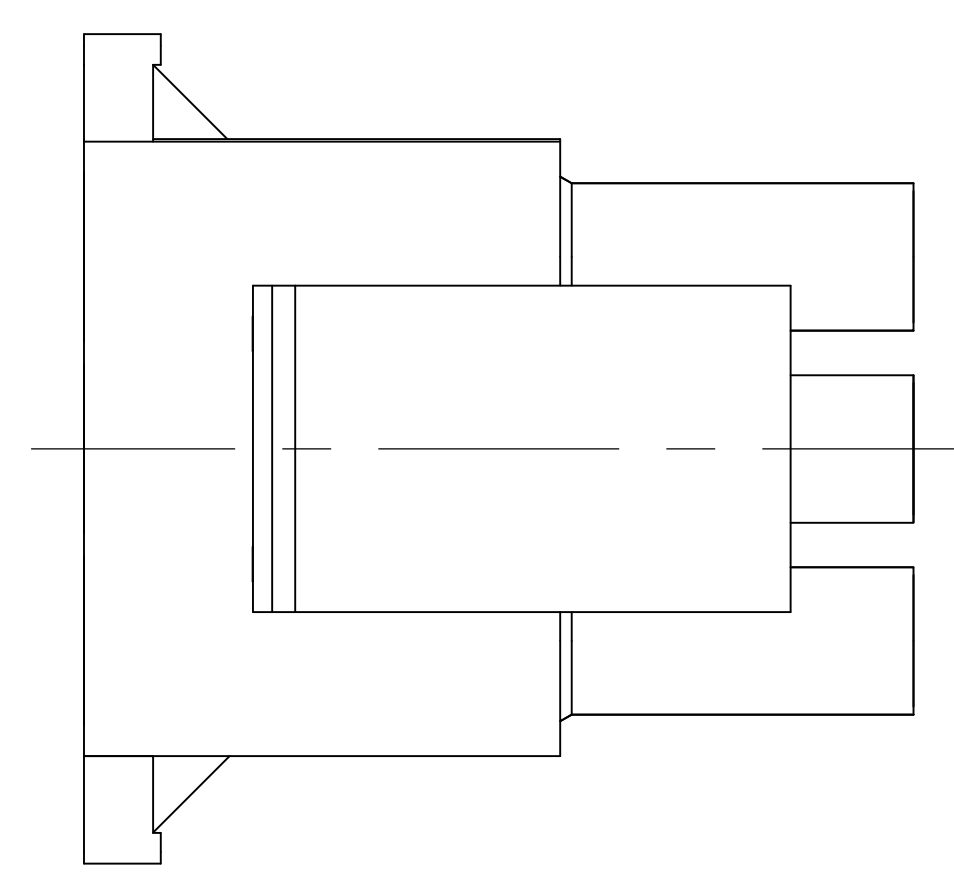
LOC		DIST		REVISIONS			
CM	00	REV	DATE	BY	CHK	APPV	
AP2	REVISED PER ECO-11-004587		11MAR11	RK	HMR		



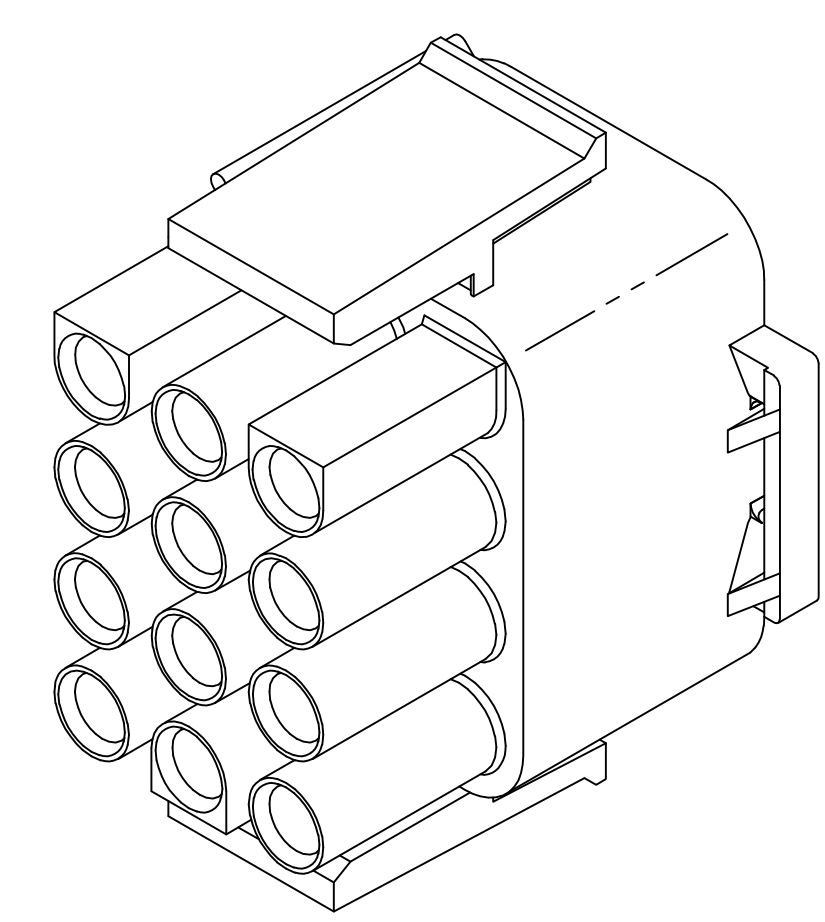
SEE DETAIL A



- 1 MATES WITH APPROPRIATE UNIVERSAL MATE-N-LOK™ CAP OR HEADER.
- 2 SMALL NICKS ARE PERMITTED ON THE CIRCUIT TOWERS WHICH COULD INCREASE THE INITIAL HOUSING MATING FORCE BY UP TO 4.4 NEWTONS [1.0 LBS]. NO INDIVIDUAL NICKED TOWER SHALL INCREASE THIS FORCE BY OVER 2.2 NEWTONS [.5 LBS].
- 3 DIMENSION INDICATED IS AS MOLDED. ADDITIONAL GROWTH DUE TO SUBSEQUENT MOISTURE ABSORPTION MAY OCCUR.
- 4 FOUR RIBS EQUALLY SPACED, NO SPECIFIC ORIENTATION. NO RIBS OR SIX RIBS EQUALLY SPACED, NO SPECIFIC ORIENTATION, OPTIONAL.
- 5 UNDERWRITERS RECOGNIZED COMPONENT LOGO AND CSA CERTIFICATION LOGO TO BE LOCATED ONCE EACH ON SIDE OF HOUSING.
- 6 OBSOLETE PARTS: OBSOLETE CIS STREAMLINING PER D.RENAUD/D.SINISI



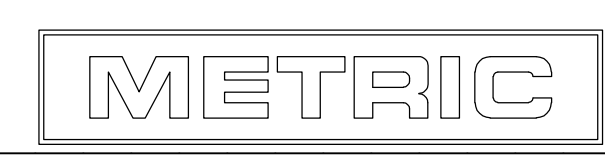
DETAIL A  
OPTIONAL CONSTRUCTION



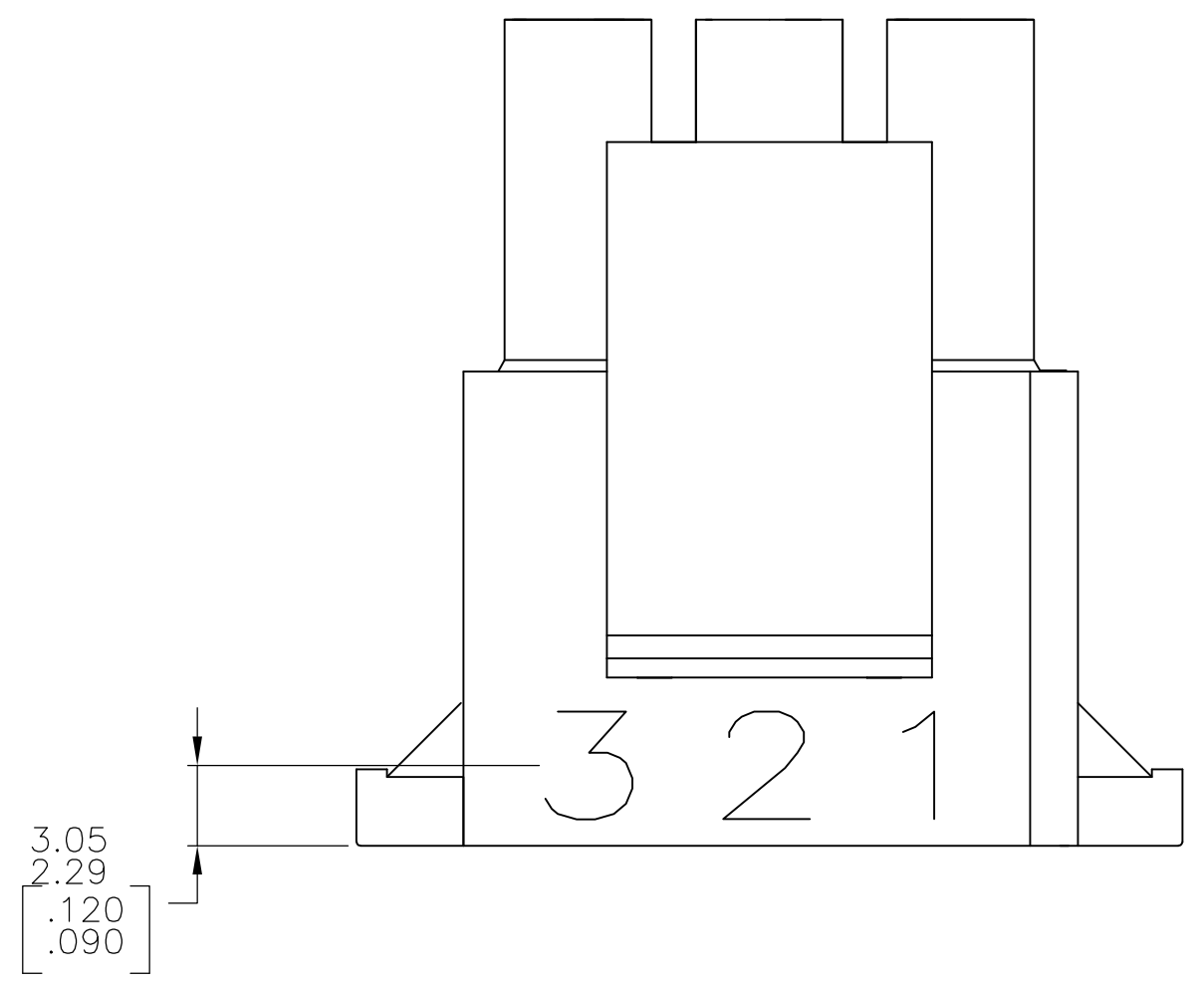
3-DIMENSIONAL MODEL  
NTS

6 OBSOLETE	BLACK	1-480708-9
	GREY	1-480708-8
	BLUE	1-480708-6
	GREEN	1-480708-5
	YELLOW	1-480708-4
	ORANGE	1-480708-3
6 OBSOLETE	RED	1-480708-2
	BROWN	1-480708-1
	NATURAL	1-480708-0
6 SUPERSEDED BY 1-480708-0	COLOR	PART NO.

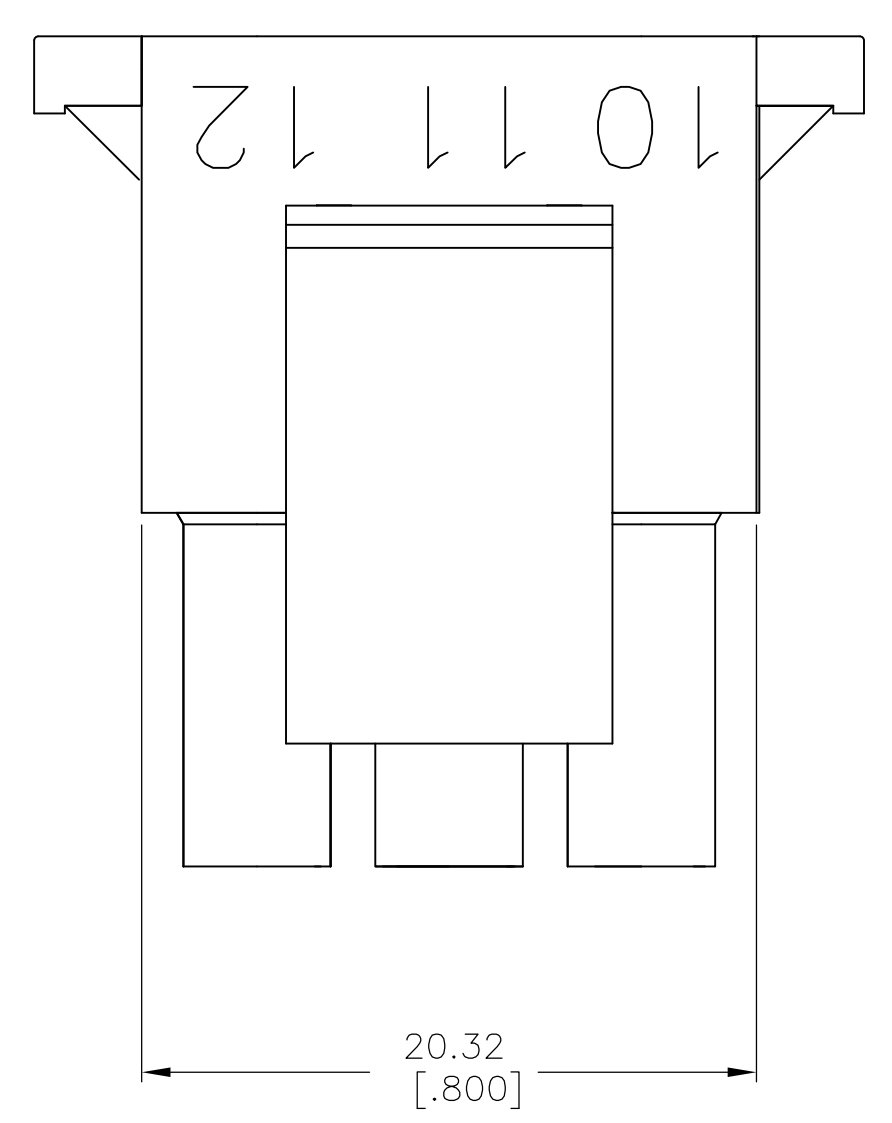
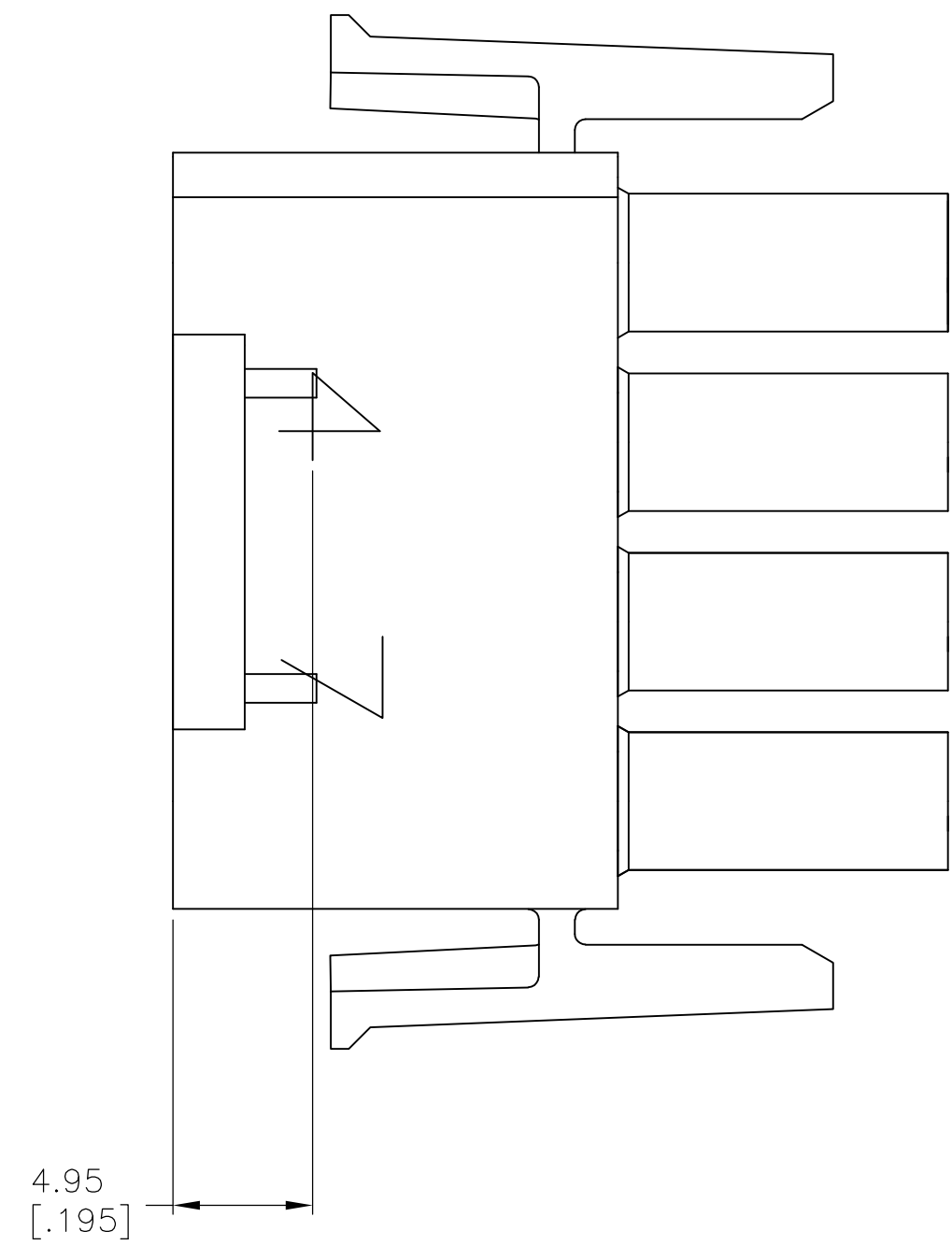
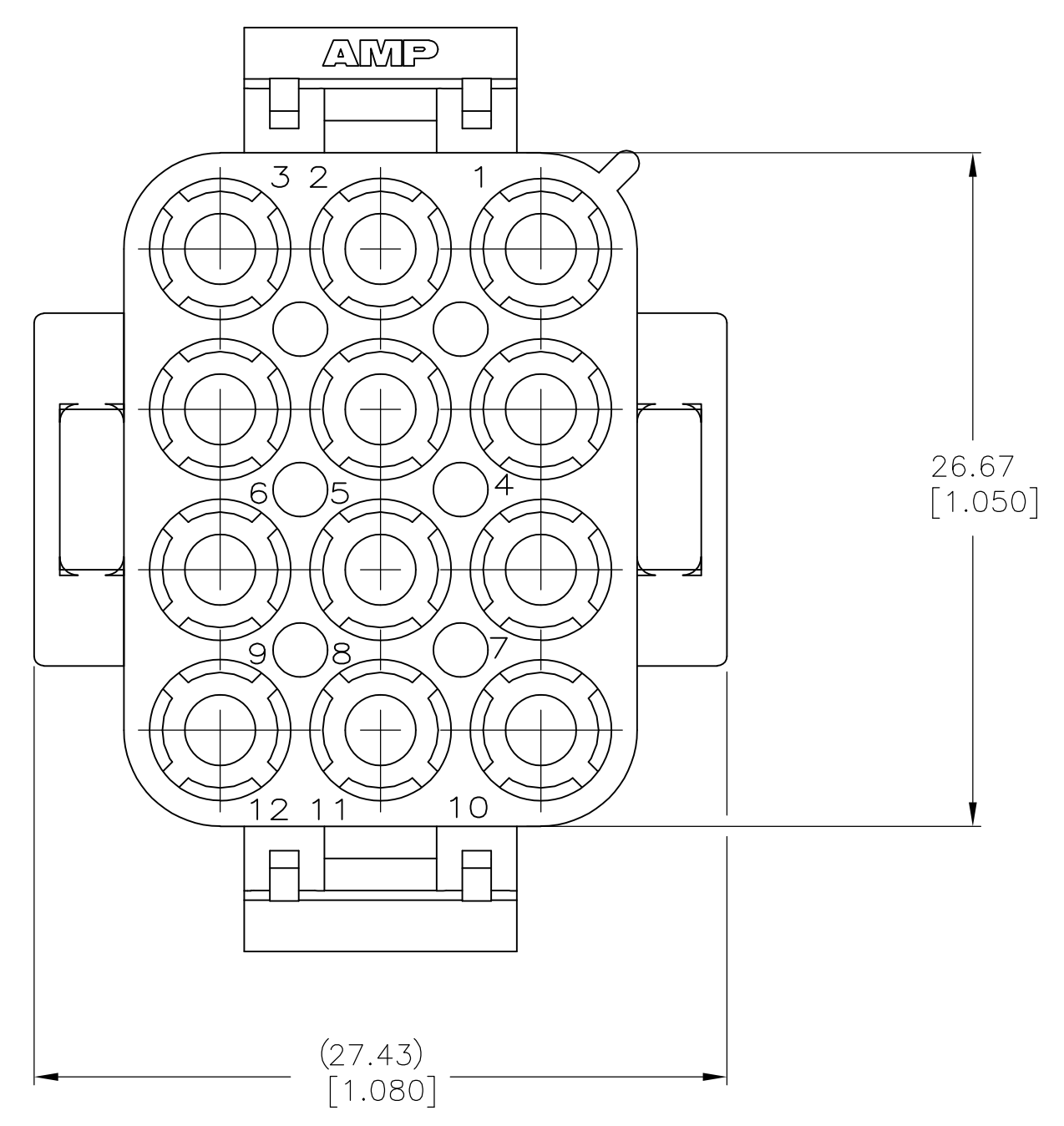
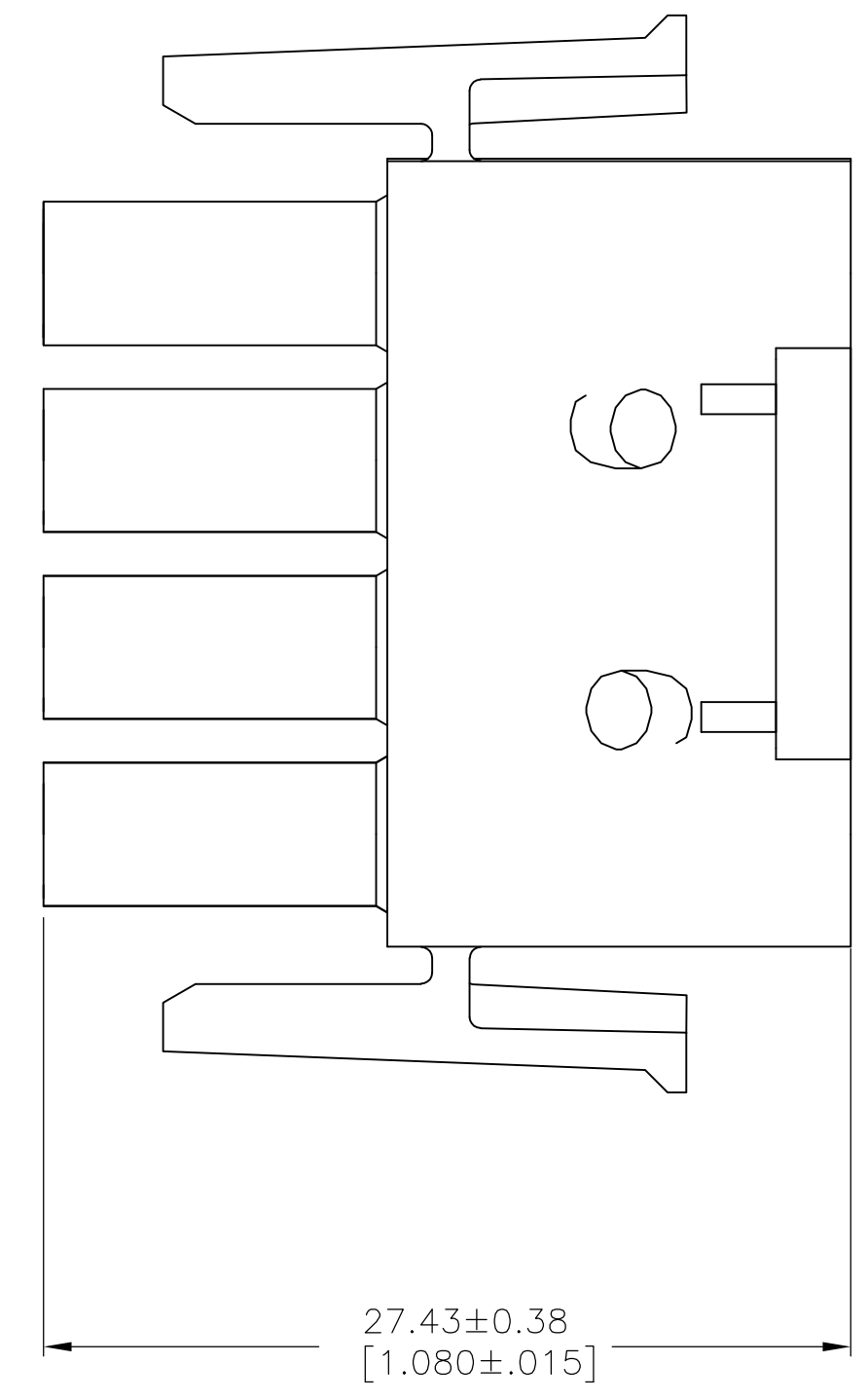
THIS DRAWING IS A CONTROLLED DOCUMENT.		DWG: K. WHITAKER 01SEP04	STE		TE Connectivity	
DIMENSIONS: mm [INCHES]		CHK: S. RIDGILL 01SEP04	NAME: PLUG, 12 CIRCUIT, UNIVERSAL MATE-N-LOK™		RESTRICTED TO: -	
TOLERANCES UNLESS OTHERWISE SPECIFIED:		APPV: S. RIDGILL 01SEP04	PRODUCT SPEC: -		SIZE: A1	
0 PLG ± -	1 PLG ± -	APPLICATION SPEC: -	DRAWING NO: 480708		SHEET 1 OF 2	
2 PLG ± 0.13 [.005]	3 PLG ± -	WEIGHT: -	CUSTOMER DRAWING		SCALE: 4:1	
4 PLG ± -	ANGLES ± 0.30°	MATERIAL: NYLON, UL 94V-2		REV: AP2		



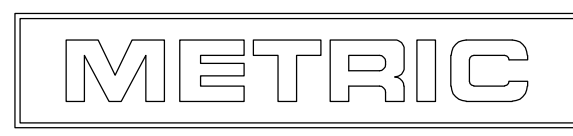
LOC	DIST	REVISIONS			
CM	00	REV	DESCRIPTION	DATE	BY
-	-	1	SEE SHEET 1	-	-



- 1 STAMP NUMBERS 3.18 HIGH AT WIRE END OF HOUSING (12 POINT DAVID TYPE).
- 2 CHARACTERS TO BE POSITIONED ON HOUSING TO BE READ FROM WIRE END ONLY.
- 3 VIOLET, BLACK, BROWN, AND BLUE COLORED BLOCKS TO BE STAMPED WITH WHITE CHARACTERS. ALL OTHER COLORED BLOCKS TO BE STAMPED WITH BLACK CHARACTERS.



NATURAL	2-480708-0
COLOR	PART NUMBER



THIS DRAWING IS A CONTROLLED DOCUMENT.		DWG: K. WHITAKER 01SEP04	TE Connectivity	
DIMENSIONS: mm [INCHES]		CHK: S. RIDGILL 01SEP04	PLUG, 12 CIRCUIT, UNIVERSAL MATE-N-LOK	
TOLERANCES UNLESS OTHERWISE SPECIFIED:		APP'D: S. RIDGILL 01SEP04	NAME	
0. PLC	± -	PRODUCT SPEC	SIZE: A1	
1. PLC	± -	APPLICATION SPEC	CAGE CODE: 00779	
2. PLC	± 0.13 [.005]	WEIGHT	DRAWING NO: 480708	
3. PLC	± -	FINISH	RESTRICTED TO: -	
4. PLC	± -	MATERIAL: NYLON, UL 94V-2	CUSTOMER DRAWING	
ANGLES	± 0.30°	SCALE: 4:1 SHEET 2 OF 2 REV AP2		