

MICRO SWITCH
a Honeywell Division
FED MFG CODE 91929

SWITCH - TOGGLE

CATALOG LISTING
2TL1 SERIES
CHART 1

THIS DRAWING COVERS A PROPRIETARY ITEM AND IS THE PROPERTY OF MICRO SWITCH A DIVISION OF HONEYWELL. THIS DRAWING IS NOT TO BE COPIED OR USED WITHOUT THE APPROVAL OF MICRO SWITCH

CATALOG LISTING
M 2TL1 SERIES CHART 1
PAGE 1 OF 1

ISSUE
28

REVISIONS

A	CO-82686	JJA	27 FEB 96
B	CO-82887	JJA	4 APR 96
C	CO-83540	JJA	30 AUG 96
D	CO-94432	CSL	23 NOV 99
E	0003011	KRB	06 FEB 04

MDM 06 FEB 04

MDM 06 FEB 04

MDM 06 FEB 04

MDM 06 FEB 04

MDM 06 FEB 04

MDM 06 FEB 04

MDM 06 FEB 04

MDM 06 FEB 04

MDM 06 FEB 04

MDM 06 FEB 04

MDM 06 FEB 04

MDM 06 FEB 04

MDM 06 FEB 04

MDM 06 FEB 04

MDM 06 FEB 04

MDM 06 FEB 04

MDM 06 FEB 04

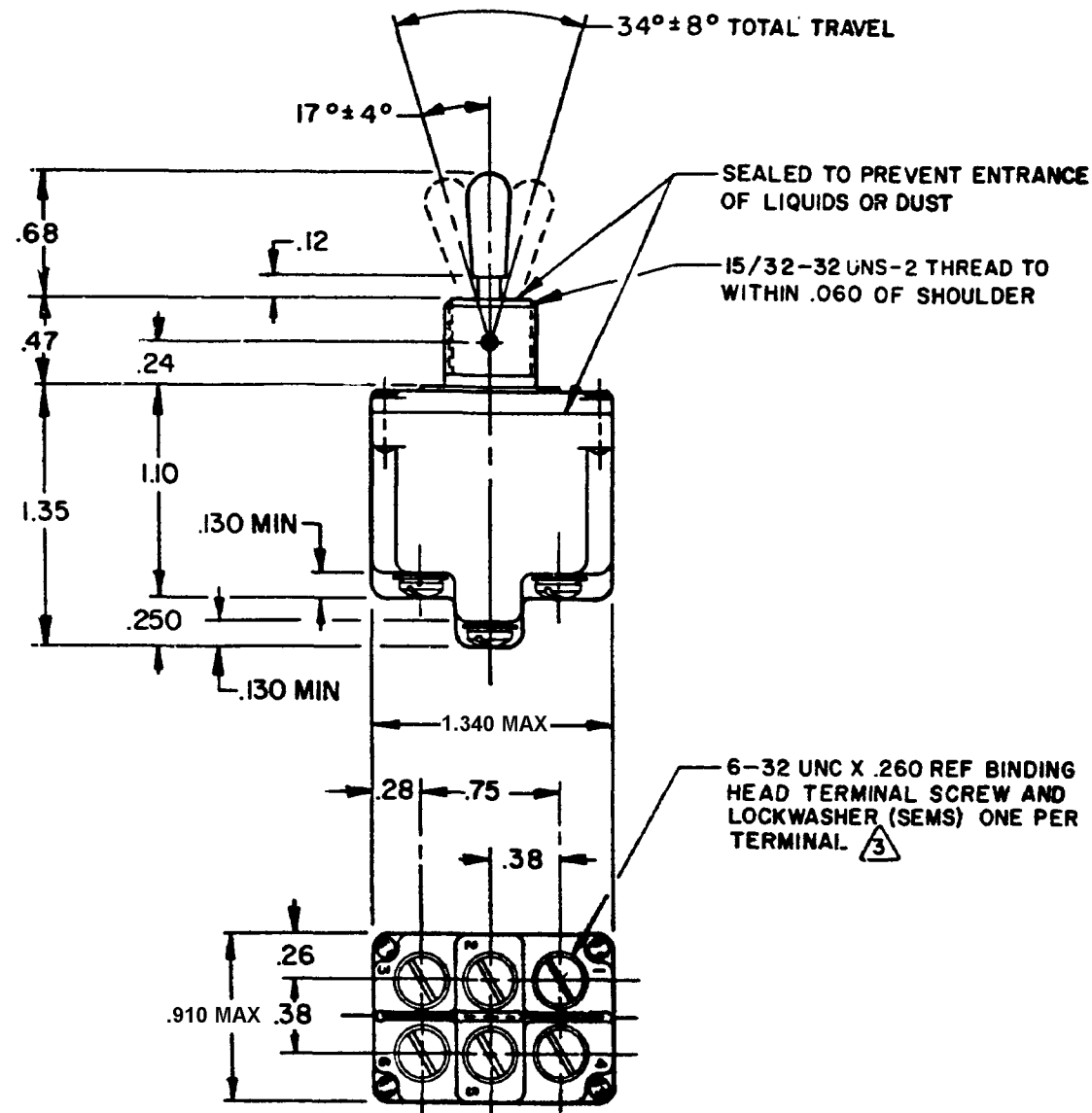
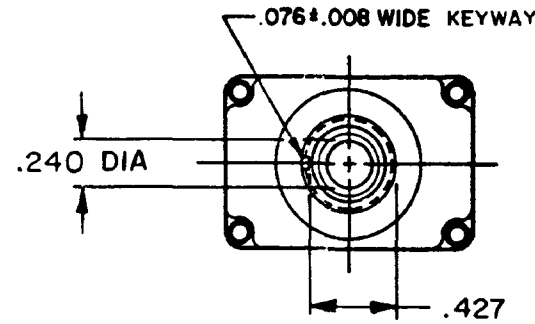
MDM 06 FEB 04

MDM 06 FEB 04

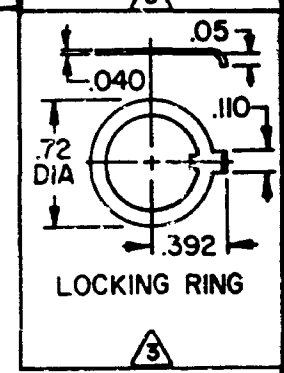
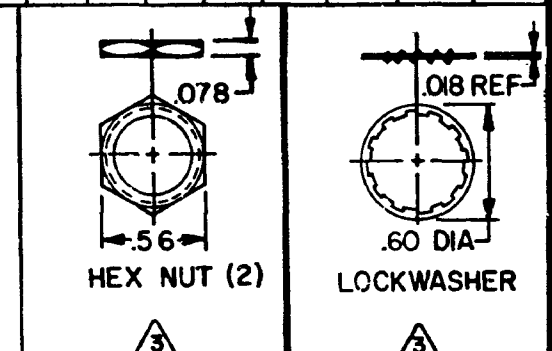
MDM 06 FEB 04

MDM 06 FEB 04

MDM 06 FEB 04



MILITARY STANDARD NUMBER	CATALOG LISTING	CIRCUIT MADE WITH TOGGLE LEVER IN			MILITARY RATING (AMPS)								
		KEYWAY SIDE (1-2,4-5)	CENTER (1-2,4-5)	OPPOSITE KEYWAY (2-3,5-6)	RESISTIVE LOAD			LAMP LOAD		INDUCTIVE LOAD			
					DC VOLTS	AC VOLTS	250	28 VDC	125 VAC	28 VDC	125 VAC		
24524-21	2TL1-1	ON	OFF	ON	20	.75	.5	15	6	7	4	15	15
24524-22	2TL1-2	OFF	NONE	ON	(REFER TO L191 FOR UL RATING)								
24524-23	2TL1-3	ON	NONE	ON									
24524-24	2TL1-21	NONE	OFF	ON									
24524-33	2TL1-31	NONE	ON	ON									
24524-29	2TL1-4	MOM OFF	NONE	ON									
24524-31	2TL1-5	MOM ON	OFF	ON									
24524-30	2TL1-6	MOM ON	NONE	OFF									
24524-27	2TL1-7	MOM ON	OFF	MOM ON									
24524-26	2TL1-8	MOM ON	NONE	ON	18	.75	.5	11	6	5	2	10	8
24524-32	2TL1-51	NONE	ON	MOM ON	(REFER TO L192 FOR UL RATING)								
24524-28	2TL1-61	MOM ON	OFF	NONE									



- NOTES
- 1 - SWITCHES ARE CAPABLE OF WITHSTANDING A TEMPERATURE OF 160°F CONTINUOUSLY AT FULL RATED LOAD
 - 2 - CIRCUIT DESIGNATION, MICRO SWITCH CATALOG LISTING AND "MS" NUMBER MARKED ON SIDE OF SWITCH
 - 3 - FURNISHED UNASSEMBLED
 - 4 - FOR TERMINAL COVER SEE MICRO SWITCH CATALOG LISTING 5PA8
 - 5 - APPLIES ONLY TO "ON" AND "MOMENTARY ON" POSITIONS
 - 6 - THESE SWITCHES ARE QUALIFIED UNDER MIL-S-3950

THIRD ANGLE PROJECTION
SCALE FULL
DO NOT SCALE PRINT
UNLESS OTHERWISE SPECIFIED TOLERANCES ARE
ONE PLACE () ± .030
TWO PLACE (.00) ± .015
THREE PLACE (.000) ± .005
ANGLES ±
WEIGHT .12 LB. APPROX.

15A-125,250 OR 277VAC
1/2HP-125VAC; 1HP-250,277VAC
5A-125VAC "L" CODE L191

10A-125,250 OR 277VAC
1/4HP-125VAC; 1/2HP-250,277VAC
3A-125VAC "L" CODE L192

FORMTEK

DRAWN

JJA 27 FEB 96

CHECK

JJA 27 FEB 96

CHECK

JJA 27 FEB 96

CHECK

JJA 27 FEB 96

CHECK

JJA 27 FEB 96

CHECK

JJA 27 FEB 96

CHECK

JJA 27 FEB 96

CHECK

JJA 27 FEB 96

CHECK

JJA 27 FEB 96

CHECK

JJA 27 FEB 96

CHECK

JJA 27 FEB 96

CHECK

JJA 27 FEB 96

CHECK

JJA 27 FEB 96

CHECK

JJA 27 FEB 96

CHECK

JJA 27 FEB 96

CHECK

JJA 27 FEB 96

CHECK

JJA 27 FEB 96

CHECK

JJA 27 FEB 96

CHECK

JJA 27 FEB 96

CHECK

JJA 27 FEB 96

CHECK

JJA 27 FEB 96

CHECK

JJA 27 FEB 96

CHECK

JJA 27 FEB 96

CHECK

JJA 27 FEB 96

CHECK

JJA 27 FEB 96

CHECK

JJA 27 FEB 96

CHECK

JJA 27 FEB 96

CHECK

JJA 27 FEB 96

CHECK

JJA 27 FEB 96

CHECK

JJA 27 FEB 96

CHECK

JJA 27 FEB 96

CHECK

JJA 27 FEB 96

CHECK

JJA 27 FEB 96

CHECK

JJA 27 FEB 96

CHECK

JJA 27 FEB 96

CHECK

JJA 27 FEB 96

CHECK

JJA 27 FEB 96

CHECK

JJA 27 FEB 96

CHECK

JJA 27 FEB 96

CHECK

JJA 27 FEB 96

CHECK

JJA 27 FEB 96

CHECK

JJA 27 FEB 96

CHECK

JJA 27 FEB 96

CHECK

JJA 27 FEB 96

CHECK

JJA 27 FEB 96

CHECK