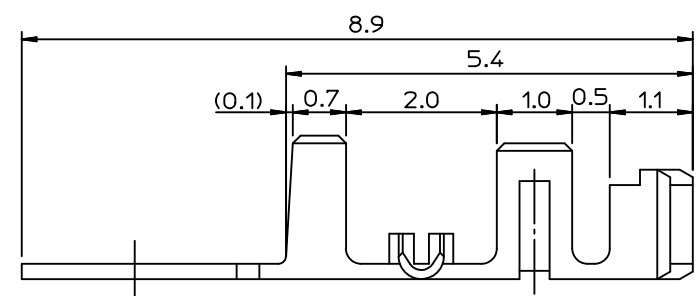


- NOTE
- MATERIAL
 - BRASS (CDA 260)
 - PHOSPHOR BRONZE (CDA 510)
 - PLATING
 - PRE PLATED - TIN OVER COPPER
 - POST PLATED - TIN/LEAD OVER COPPER
 - USED HOUSING : 35022-00**/35023-00**/68418-**00
 - CAMBER : 30/1,000 MAX.



POST-PLATED	PHOS. BRON.	AWG #24-#30	1.8	1.9	R0.4	0.85	350211310	35021-1310
PRE-PLATED	PHOS. BRON.	(INS. DIA: Ø 1.5 MAX.)	2.5	2.5	R0.7	1.05	350211301	35021-1301
	BRASS						350211201	35021-1201
PRE-PLATED	PHOS. BRON.	AWG #22-#28	2.5	2.5	R0.7	1.05	350211101	35021-1101
	BRASS	(INS. DIA: Ø1.9 MAX.)					350211001	35021-1001
POST-PLATED	PHOS. BRON.						350211110	35021-1110
PLATING	MATERIAL	WIRE RANGE	D	C	B	A	MAT'L NO.	ENG NO.

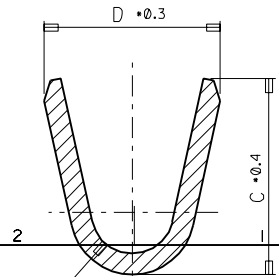
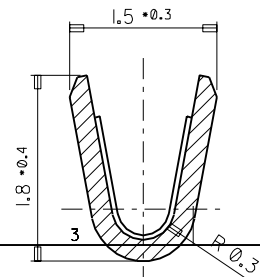
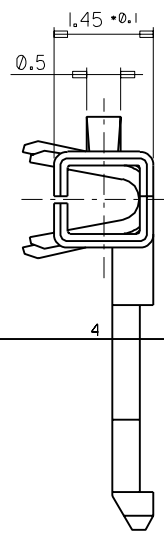
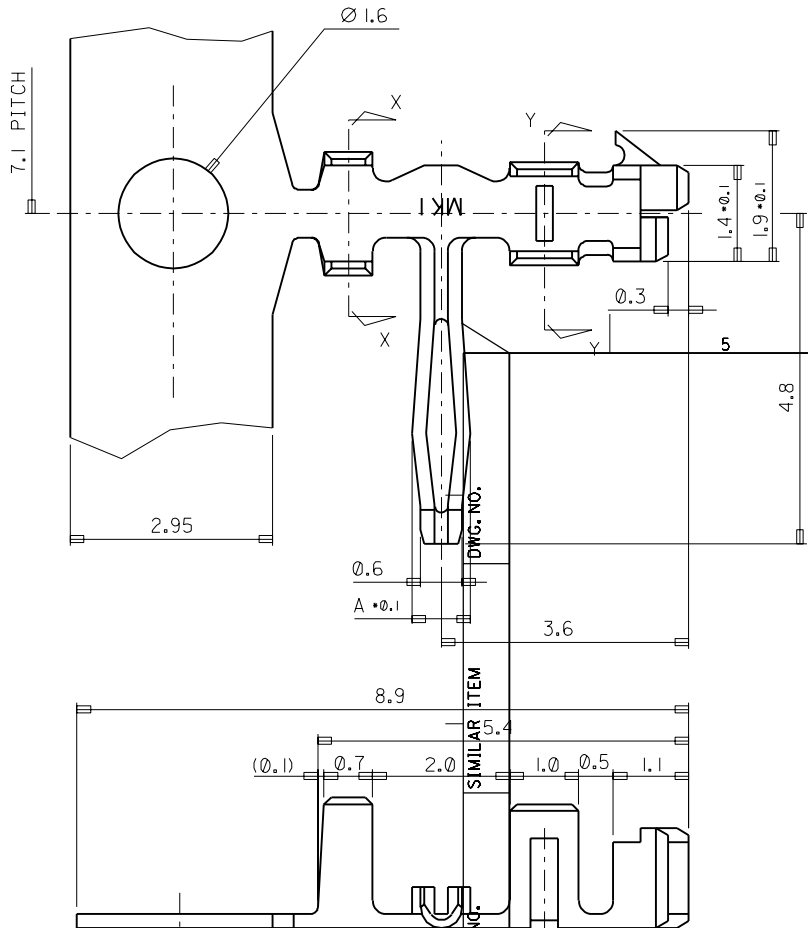
REVISED	DESCRIPTION
EC NO: KOR2011-0132	
DRW: SUNGHYUK JOO 2011/05/24	
CHKD: YSOOK IM 2011/05/24	
APPR: YUNSIKK IM 2011/06/03	
J	REV

QUALITY SYMBOLS	GENERAL TOLERANCES (UNLESS SPECIFIED)
▽=0	mm INCH
∇=0	4 PLACES ± --- ± ---
	3 PLACES ± --- ± ---
	2 PLACES ± --- ± ---
	1 PLACE ± 0.3 ± ---
	ANGULAR ± 1 °
	DRAFT WHERE APPLICABLE MUST REMAIN WITHIN DIMENSIONS

DIMENSION STYLE	SCALE	DESIGN UNITS	THIRD ANGLE PROJECTION
MM ONLY	15:1	METRIC	
DRAWN BY	DATE	TITLE	
HSSHIN		R/A B-IN TERMINAL	
CHECKED BY	DATE		
JKOH			
APPROVED BY	DATE		
MATERIAL NO.	DOCUMENT NO.	SHEET NO.	
SEE TABLE	SD-35021-001	1 OF 1	
THIS DRAWING CONTAINS INFORMATION THAT IS PROPRIETARY TO MOLEX INCORPORATED AND SHOULD NOT BE USED WITHOUT WRITTEN PERMISSION			

DO NOT SCALE DRAWING
DIMENSION IN METRIC

PROJECT NO. 35021-I-1***
SIMILAR ITEM 35021-I-1***
DWG. NO. SD 35021-I-1***



- NOTE
- MATERIAL
 - BRASS (CDA 260)
 - PHOSPHOR BRONZE (CDA 510)
 - PLATING
 - PRE PLATED - TIN OVER COPPER
 - POST PLATED - TIN/LEAD OVER COPPER
 - USED HOUSING : 35022-00** / 35023-00**

POST-PLATED	PHOS. BRON.	AWG #24-#30						35021-1310
PRE-PLATED	PHOS. BRON.	(INS. DIA: Ø 1.5 MAX.)	1.8	1.9	R0.4	0.85		35021-1301
	BRASS							35021-1201
PRE-PLATED	PHOS. BRON.	AWG #22-#30						35021-1101
	BRASS	(INS. DIA: Ø 1.9 MAX.)	2.5	2.5	R0.7	1.05		35021-1001
POST-PLATED	PHOS. BRON.							35021-1110
PLATING	MATERIAL	WIRE RANGE	D	C	B	A		ENG NO.

REVISED EC NO. KOR1998-0091 DRWN: HSSHIN(980609) CHK: JKOH APPR: CWLEE	QUALITY SYMBOLS MAJOR CRITICAL	GENERAL TOLERANCES: (UNLESS SPECIFIED)		SCALE 15-1	DESIGN UNITS <input checked="" type="checkbox"/> mm <input type="checkbox"/> INCH	THIRD ANGLE PROJECTION	DIMENSIONS: <input type="checkbox"/> mm <input type="checkbox"/> INCH <input checked="" type="checkbox"/> mm ONLY	SHT	REV
		4 PLACES ±0.	±.	DRAWN BY & DATE HSSHIN		TITLE: R/A B-IN TERMINAL			
		3 PLACES ±0.	±.	CHECKED BY & DATE JKOH					
		2 PLACES ±0.	±.	APPROVED BY & DATE CWLEE					
1 PLACE ±0.3	±.	ANGULAR: ± 1 °		CAD FILENAME SD35021.DGN	MATERIAL NO. 350-21-1***	DRAWING NO. SD 35021-I-1***	SHEET NO. 10F1	SIZE B	
REV		DESCRIPTION		THIS DRAWING CONTAINS INFORMATION THAT IS PROPRIETARY TO MOLEX INCORPORATED AND SHOULD NOT BE USED WITHOUT WRITTEN PERMISSION.					