

# MICRO SWITCH

FREEPORT ILLINOIS, U.S.A  
A DIVISION OF HONEYWELL INC.  
FED. MFG. CODE 91929

# SWITCH-ENCLOSED

CATALOG LISTING

DTF2-2RN-LH

DTF2-2RN-LH

REPLACES SKETCH 5583

RELEASE NO. SR-3244

**M**

DRAWING NUMBER

ISSUE

II

REVISIONS

A	CO64181	TSK	28 SEPT 88
B	CO71134	TSM	27 SEP 91
C	CO72788	G JW	11 SEP 92
D	CO77779-C	J J B	12 MAR 94

CHECK

CHECK

CHECK

CHECK

CHECK

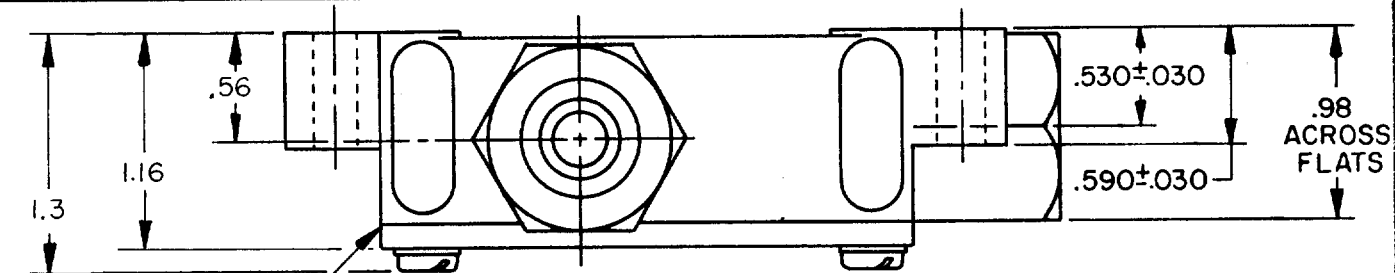
CHECK

CHECK

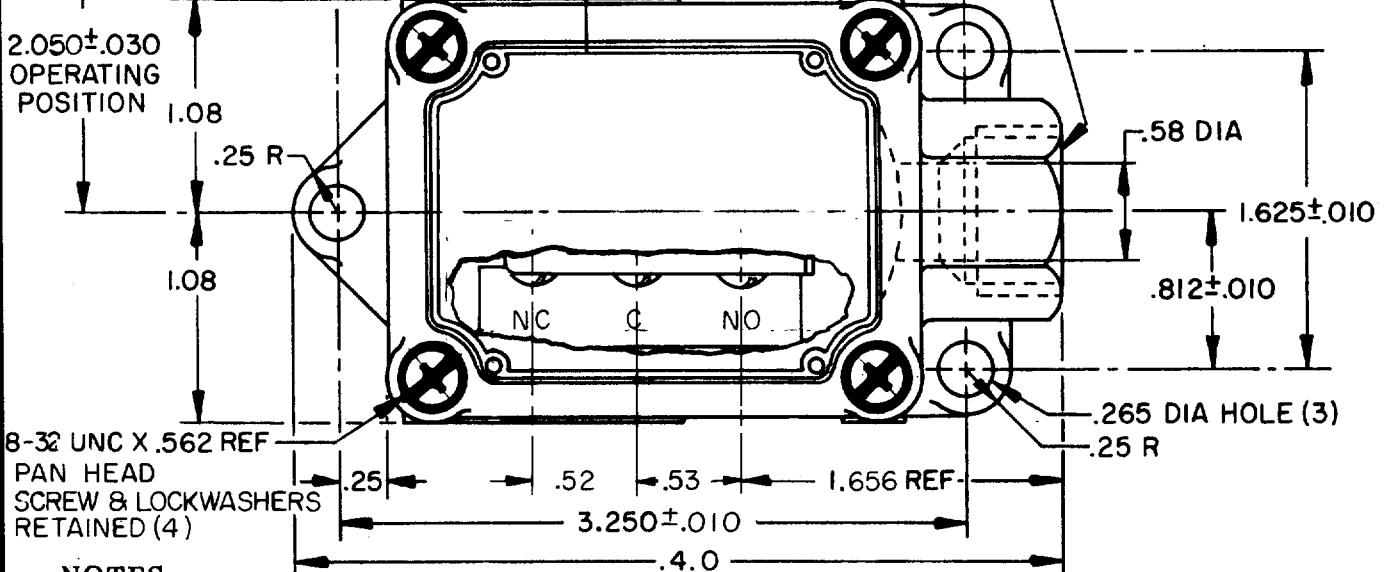
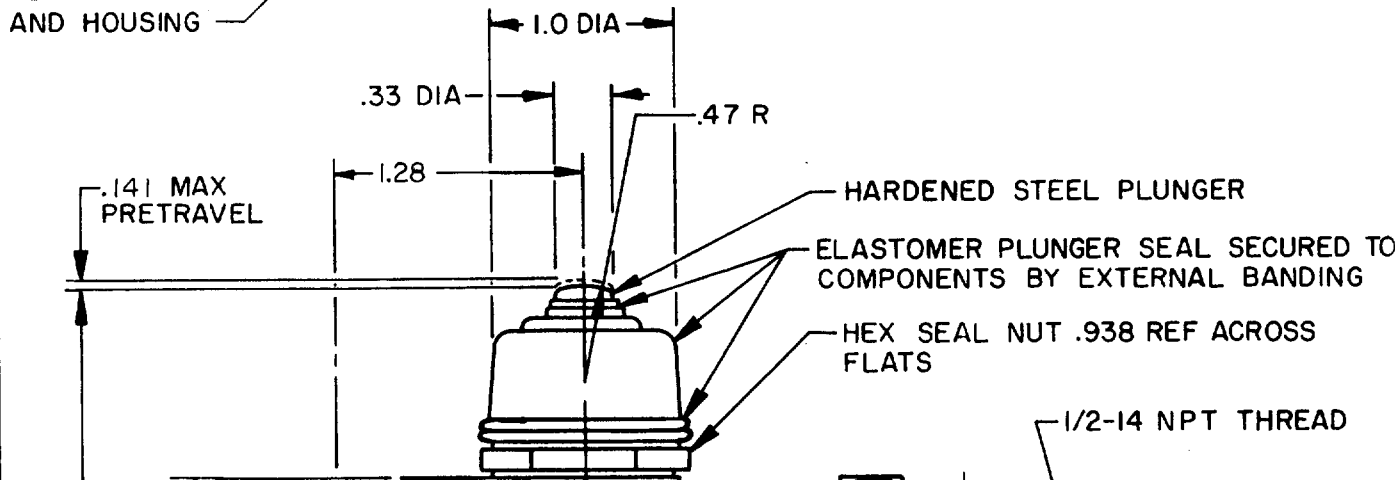
CHECK

CHECK

CHECK



GASKET TYPE SEAL BETWEEN COVER AND HOUSING

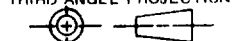


NOTES

1 - 4-40 NC X .125 LONG ROUND HEAD TERMINAL SCREWS & LOCKWASHERS

THIS DRAWING COVERS A PROPRIETARY ITEM AND IS THE PROPERTY OF MICRO SWITCH, A DIVISION OF HONEYWELL. THIS DRAWING IS NOT TO BE COPIED OR USED WITHOUT THE APPROVAL OF MICRO SWITCH.

THIRD ANGLE PROJECTION



CHARACTERISTICS	ELECTRICAL DATA	SCALE FULL	DO NOT SCALE PRINT
OPERATING FORCE ----- 2 1/2 LBS MAX	CONTACT ARRANGEMENT D P D T	UNLESS OTHERWISE SPECIFIED TOLERANCES ARE ONE PLACE (.0) ± .030 TWO PLACE (.00) ± .015 THREE PLACE (.000) ± .005 ANGLES ± RAW MATERIAL - COMMERCIAL STANDARD DIMENSIONS ARE IN INCHES AND ARE TO BE MET BEFORE PROTECTIVE COATINGS ARE APPLIED MICRO SWITCH STANDARDS APPLY	DO NOT SCALE PRINT
RELEASE FORCE ----- 1/4 LB MIN	L59		
DIFFERENTIAL TRAVEL ----- .060 MAX	10A 125 OR 250 VAC		
OVERTRAVEL ----- .156 MIN	0.3A 125 VDC, 0.15A 250 VDC		
BASIC SWITCH REPLACEMENT - DT-2R-A7		WEIGHT .500 LB	

FO-52848-B

DRAWN

T S K

28 SEPT 88