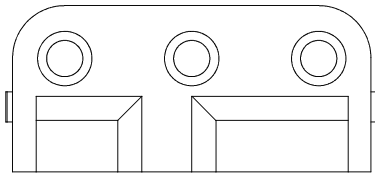
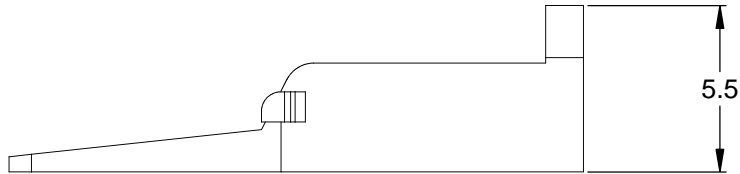
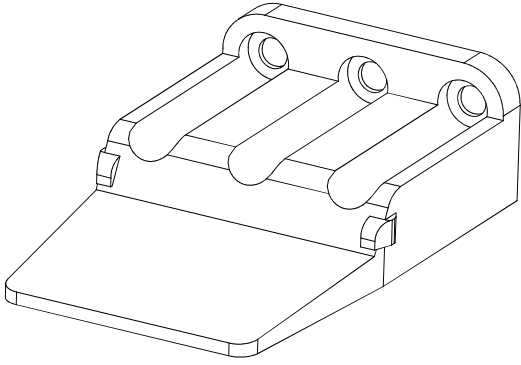
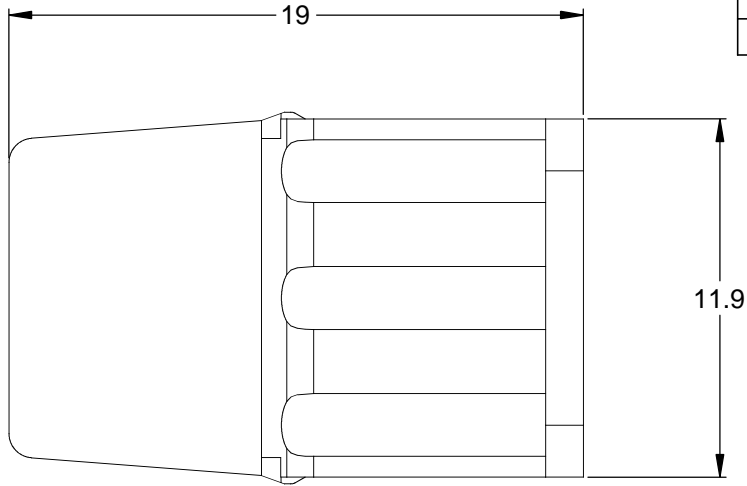


REVISIONS					
REV	ECO	DESCRIPTION	DATE	BY	APPR
A3		RELEASE NEW DWG FORMAT	07/24/13	DRP	



NOTES: UNLESS OTHERWISE SPECIFIED

1. MATERIAL: THERMOPLASTIC; COLOR: ORANGE
2. RoHS COMPLIANT
3. CAVITIES: 3
4. KEYED: N/A
5. USE WITH CONNECTORS: ATM06-3S\*  
(\* = MODIFICATIONS AND/OR COLORS)
6. ALL DIMENSIONS ARE FOR REFERENCE USE ONLY.

AWM-3S						
PART NUMBER		DESCRIPTION		ITEM		
QUANTITY	<b>MATERIALS LIST</b>					
UNLESS OTHERWISE SPECIFIED	SIGNATURES	DATE	<b>SINE Systems Corporation</b> A Subsidiary of Amphenol Corporation 44724 Morley Drive Clinton Township, MI 48036  <b>S-WEDGELOCK, 3 POSITION, ATM SERIES</b>			
1) All dimensions are in metric(mm).	DRAWN: D.PARKS	07/24/13				
2) Tolerances are as follows: 1 PL DEC ±0.30 2 PL DEC ±0.15 3 PL DEC ±0.08	CHECKED:					
Fractions ±1/64 Angles ±1°	ENGINEER:					
3) Note reference =	APPROVAL:					
MATERIAL SPECIFICATIONS:	CUSTOMER:					
PROCESS SPECIFICATIONS:	THIS DRAWING IS SUPPLIED FOR INFORMATION ONLY. DESIGN FEATURES, SPECIFICATIONS AND PERFORMANCE DATA SHOWN HEREON ARE THE PROPERTY OF THE AMPHENOL CORPORATION. NO RIGHTS OF REPRODUCTION ARE IMPLIED. ALL DIMENSIONS ARE SUBJECT TO NORMAL MANUFACTURING VARIATIONS.		SIZE: <b>B</b>	FSCM NO. <b>—</b>	DWG NO: <b>C- AWM-3S</b>	REVISION: <b>A3</b>
NEXT ASSY:	SCALE: <b>NONE</b>		SHEET <b>1</b> OF <b>1</b>			