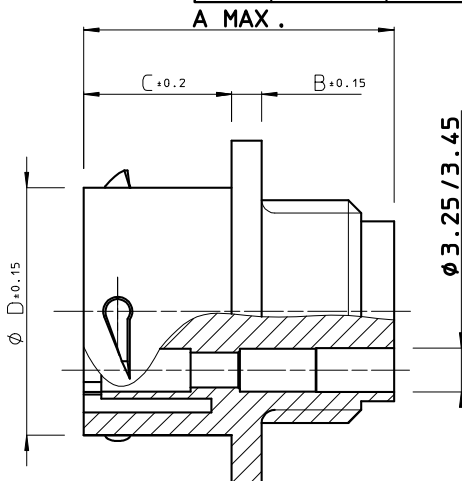
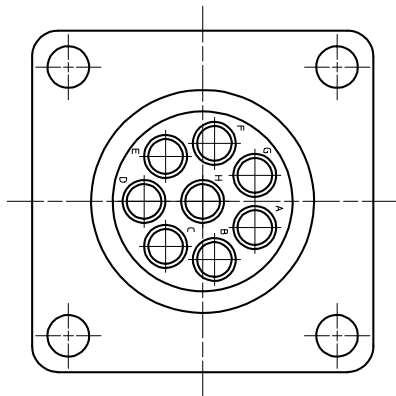


DIT IS ONZE EIGENDOM EN MAG NOCH NAGEMAAKT, HERDRUKT, OVERGEMAAKT AAN DERDEN, NOCH VOOR FABRIKATIE GEBRUIKT WORDEN, ZONDER ONZE SCHRIFTELIJKE TOELATING. BIJ NIET GEBRUIK IS DE TERUGZENDING VERPLICHT.

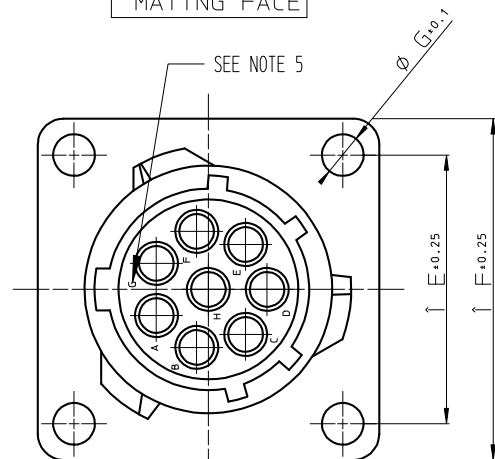
THIS IS OUR EXCLUSIVE PROPERTY. IT IS NOT TO BE COPIED, REPRINTED OR DISCLOSED TO A THIRD PARTY, NOR USED FOR MANUFACTURING WITHOUT OUR WRITTEN CONSENT, AND HAS TO BE RETURNED TO US IN CASE OF NO USAGE

| REV. | DATE     | DESCRIPTION                            | BY     | C'K'D' |
|------|----------|--|--------|--------|
| 00   | 24.10.96 | UTP0103SVE AND UTP0187SVDEU ADDED      | S.V.D. |        |
| 01   | 18.04.97 | NOTE 5 ADDED                           | S.V.D. |        |
| 02   | 27.11.07 | DELETE 'VDE' AT THE END OF PART NUMBER | R Ch   |        |

WIRING FACE



MATING FACE



| CAT. NUMBER | A MAX. | B+0.15 | C+0.2 | Ø D+0.15 | E+0.25 | F+0.25 | Ø G+0.1 | Ø H+0.1 | Ø J+0.1 |
|-------------|--------|--------|-------|----------|--------|--------|---------|---------|---------|
| UTP0103S    | 27.6   | 2.3    | 11.3  | 15.0     | 18.3   | 23.8   | 3.2     | 17.3    | 15.1    |
| UTP0104S    | 24.3   | 2.3    | 11.3  | 15.0     | 18.3   | 23.8   | 3.2     | 17.3    | 15.1    |
| UTP0125S    | 24.3   | 2.3    | 11.3  | 19.0     | 20.6   | 26.2   | 3.2     | 21.8    | 18.2    |
| UTP0128S    | 24.3   | 2.3    | 11.3  | 19.0     | 20.6   | 26.2   | 3.2     | 21.8    | 18.2    |
| UTP01412S   | 24.3   | 2.3    | 11.3  | 22.2     | 23.0   | 28.6   | 3.2     | 25.0    | 21.4    |
| UTP01619S   | 24.3   | 2.3    | 11.3  | 25.3     | 24.6   | 31.0   | 3.2     | 28.1    | 24.6    |
| UTP0187S    | 30.4   | 2.5    | 17.9  | 28.5     | 26.9   | 33.3   | 3.2     | 31.3    | 27.8    |
| UTP01823S   | 24.3   | 2.5    | 11.3  | 28.5     | 26.9   | 33.3   | 3.2     | 31.3    | 27.8    |
| UTP02028S   | 27.0   | 2.5    | 14.5  | 31.7     | 29.4   | 36.5   | 3.2     | 34.5    | 30.9    |
| UTP02235S   | 28.0   | 3.5    | 14.5  | 34.9     | 31.6   | 39.7   | 3.2     | 37.7    | 34.1    |
| UTP02448S   | 30.4   | 3.5    | 15.3  | 38.0     | 34.9   | 42.9   | 3.9     | 40.9    | 37.3    |

UTP0128S AS SHOWN

## MATERIAL

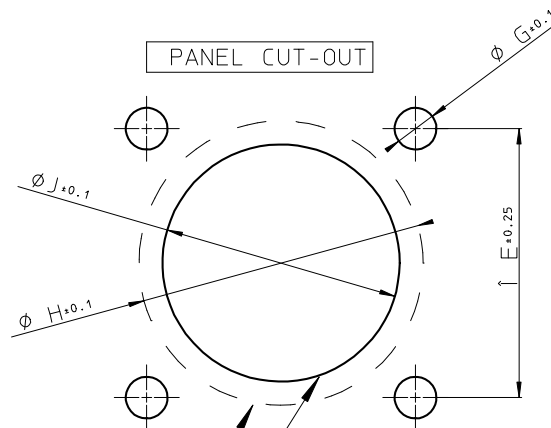
- BODY : GLASS-FILLED POLYESTER UL94-V0. COLOUR : BLACK

## PERFORMANCE CHARACTERISTICS

- OPERATING TEMPERATURE : -25 °C TO +125 °C.
- INSULATION RESISTANCE : 5000 MOhm MIN.
- TEST POTENTIAL : 2000 V EFF.


## NOTES

- CONNECTOR ACCEPTS Nr 16 STRIP FORMED SOCKET, MACHINED SOCKET AND SUBMINIATURE COAXIAL PIN AND SOCKET CONTACTS.
- CONTACTS TO BE ORDERED SEPARATELY : REFER TO TRIM - TRIO CATALOG.
- FOR OTHER INSERT ARRANGEMENTS SEE BS.C .201458.000
- MATING PART : UTP6----P
- THE CAVITY MARKING OF ALL SIZES IS WITH LETTERS, EXCEPT FOR THE ITEMS UTP0103S AND UTP0187S, THEY HAVE A NUMBERING.



REAR PANEL MOUNTING  
FRONT PANEL MOUNTING

|          |    |    |    |    |    |    |    |    |    |    |    |    |    |    |    |    |    |    |    |    |    |    |    |    |    |    |    |    |    |    |    |
|----------|----|----|----|----|----|----|----|----|----|----|----|----|----|----|----|----|----|----|----|----|----|----|----|----|----|----|----|----|----|----|----|
| GEN. ST. | 01 | 02 | 03 | 04 | 05 | 06 | 07 | 08 | 0D | 50 | 60 | 70 | 80 | 90 |    |    |    |    |    |    |    |    |    |    |    |    |    |    |    |    |    |
| INT. ST. | 10 | 11 | 12 | 13 | 14 | 18 | 20 | 31 | 32 | 33 | 34 | 38 | 39 | 40 | 42 | 43 | 44 | 45 | 46 | 48 | 56 | 70 | 72 | 73 | 75 | 76 | 81 | 82 | 83 | 84 | 88 |

|   |                                  |                         |                           |  |  |
|---|----------------------------------|-------------------------|---------------------------|--|--|
| 1DEC ±0,2<br>2DEC ±0,1<br>ANGLES ±1°<br>HOEKEN                                  | <b>APPR.</b><br>DRAFT<br>CHECKED | <b>DATE</b><br>19-04-94 | <b>SIGN.</b><br>J.GOOSENS | <b>UTP FEMALE RECEPTACLE</b>   |  |
| WE RESERVE THE RIGHT TO CHANGE DIMENSIONS OR REQUIREMENTS WITHOUT PRIOR NOTICE. | <b>PROD. MGR.</b>                |                         |                           | <b>CAT. No. UTP0----S</b>  |  |
| ALL DIMENSIONS IN MM  | <b>PR. ENG. MGR.</b>             |                         |                           |  <b>SOURIAU</b><br>Route Nationale 23<br>72470 CHAMPAGNE |  |
| ALLE AFMETINGEN IN MM   | <b>PR. MGT. MGR.</b>             |                         |                           | <b>REFERENCES / REFERENTIES</b><br>BS,A , 201766 , 002 , 02<br>DRAWING NR. CUSTOMER DRAWING  |  |
|   |                                  |                         |                           | SCALE<br>1.7:1   |  |

BS,A , 201766 , 002 , 02