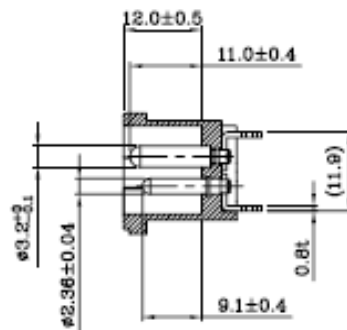
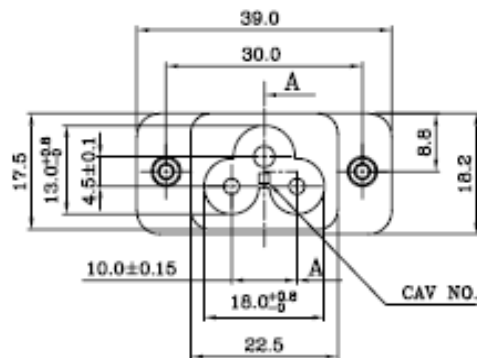
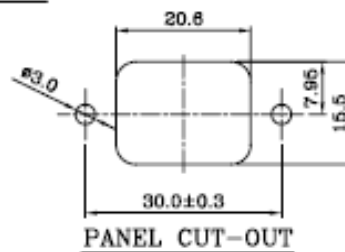
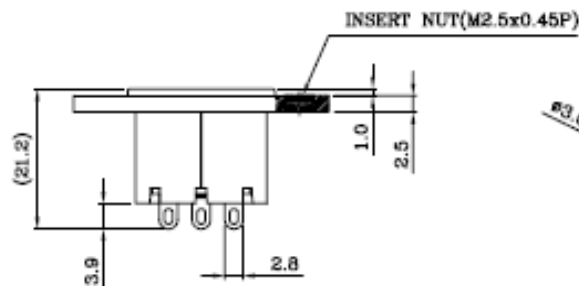
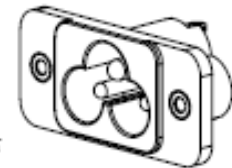
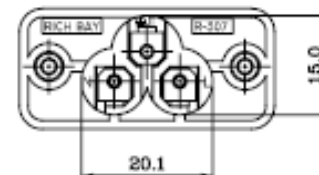


版次	變更原因	變更日期	備註
D→E	新機PC外觀及結構	95.05.09	



A-A



PANEL CUT-OUT

SPECIFICATION:

1. Insulation Resistance: Over 100MΩ at 500V DC.
2. Dielectric strength: 2000V AC 1 Minute.
3. Body Material: Thermoplastic 94V-2-V-0.

Rating:AC 2.5A 250V	
Mark	Safety Regulation
	UL
	CUL
Rating:AC 2.5A 250V	
Mark	Safety Regulation
	VDE
	CCC
	TSE60
	S6060
	NEM60
	T6060

DRAWING:C:DG\NEW-R\T\307\00).DWG

IMPORTANT THIS DRAWING FOR REFERENCE ONLY 注意：此圖只供參考用

SCHURTER
ELECTRONIC COMPONENTS



DRAWN BY

UNIT
mm
研發
95.05.09
黃靜芳

UNIT QTY

1

APPROVED BY

SCALE

1:1

RD
95.05.10
李耀魁

TOLERANCE

X.XX±0.1
XX.XX±0.2
XXX.XX±0.3

ID NO

060510A04

DESCRIPTION

PRODUCT NO.

4719.0100

INTERIM NO.

NEW NO.

REV

E