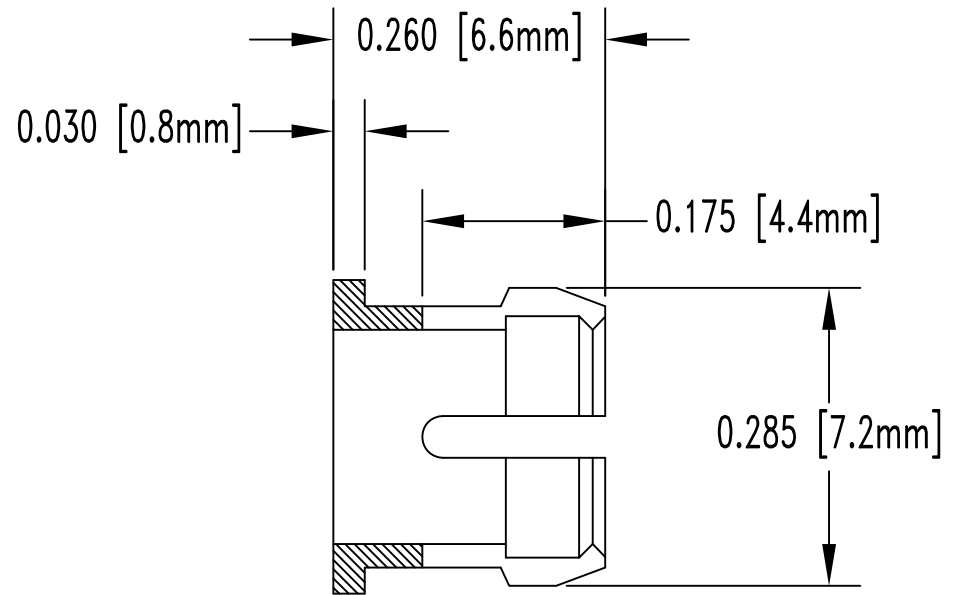
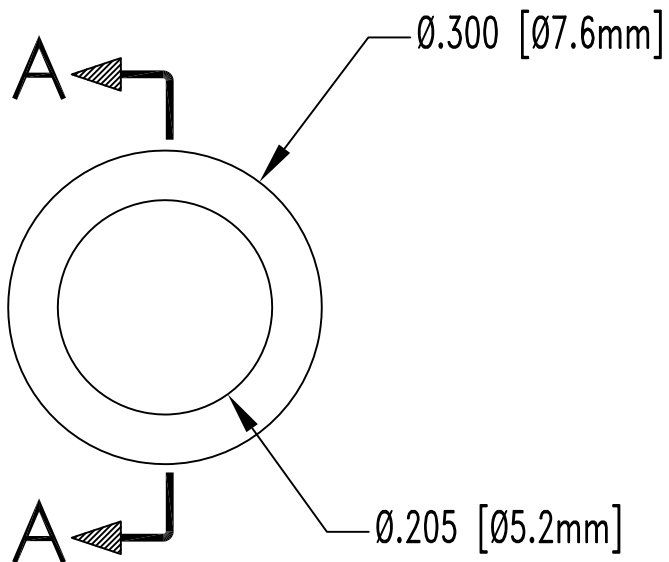



REV	DESCRIPTION	DATE	APPROVED
A	ENGINEERING RELEASE.	05/17/02	M. C.
B	MATERIAL UPDATE.	02/28/03	M. C.
C	Update Part Name	04/05/12	T. Y.



SECTION A-A

2. MATERIAL: NYLON 6/6, 94V-0, BLACK. (0% REGRIND ALLOWED)
RTP POLYAMIDE NYLON 6/6, RTP 0200 FR, BLACK, 94V-0, OR
MODIFIED PLASTICS MN6/6-SE BK, 94V-0, BIVAR MATERIAL CODE 22-BK.
1. GENERAL SPECIFICATIONS: BIVAR MOLDED COMPONENT SPECIFICATION BV00-E101.

UNLESS OTHERWISE SPECIFIED: DIMENSIONS ARE IN INCHES		 4 THOMAS, IRVINE, CA.92618 TEL: (949) 951-8808 FAX: (949) 951-3074					
TOLERANCES							
<u>DECIMALS</u>	<u>ANGULAR</u>	PART NAME: CLIP SNAP-IN MOUNTING FOR T1 3/4 (5mm) LEDs					
.X ± .1	X° ± 1°						
.XX ± .01							
.XXX ± .005		DESIGNER SHANE IRVING	DATE 11/24/98	SIZE A	DWG NAME 	DWG NO. C-174	REV C
CHECKER M CHEN		DATE 02/28/03	SCALE 1=1	CAGE CODE 32559	SHEET 1 OF 1		