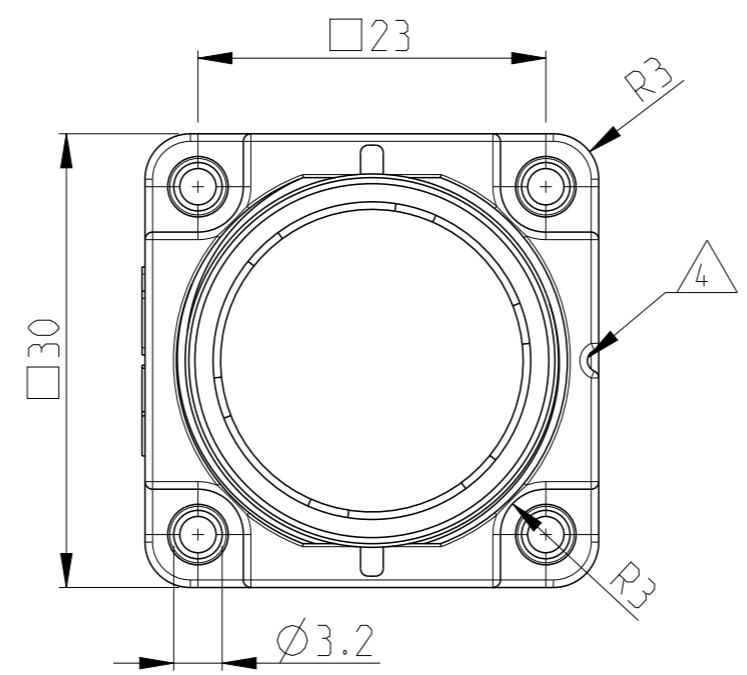
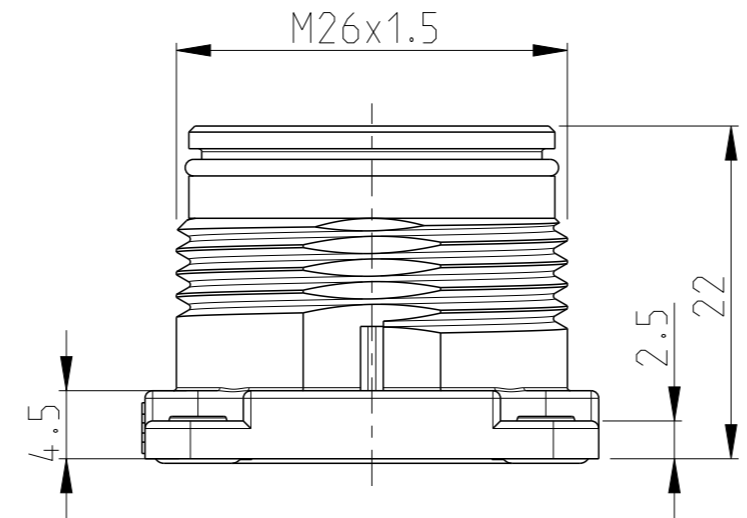
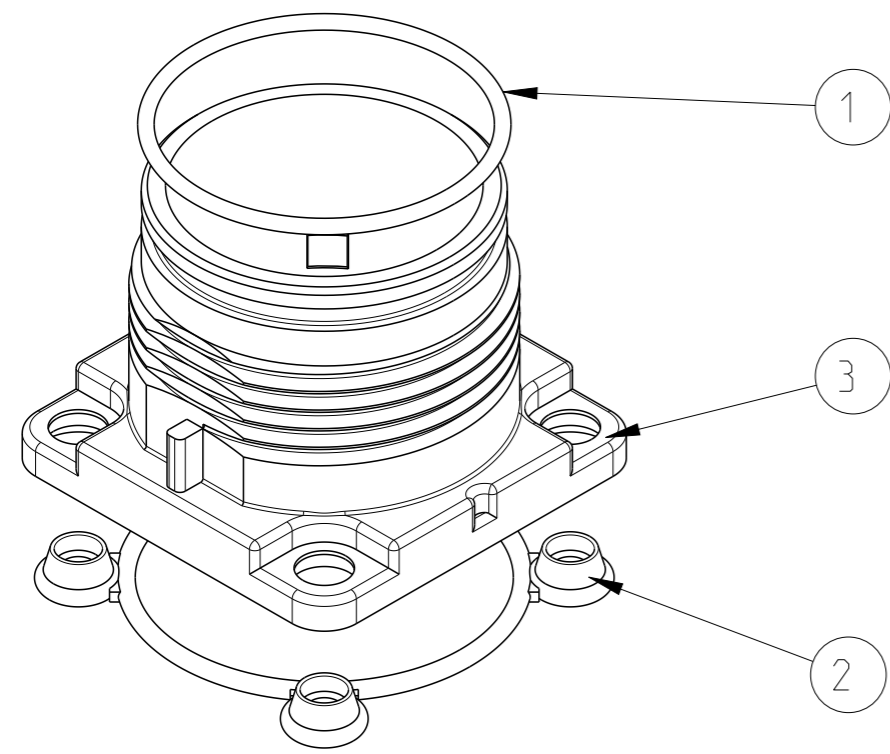


LOC	DIST	REVISIONS AENDERUNGEN					
A1	-	P	LTR	DESCRIPTION BESCHREIBUNG	DATE	DWN	APVD
PROJEKT NR.:		E3	ECR-12-001008		09JAN2012	GW	BR
		F1	GROOVE FOR O-RING CHANGED		11DEC2012	KHH	PK



Notes

- 1 SUITABLE HOUSINGS: SERIES HC26
CUSTOMER DRAWING: 1103434 , 1103467
- 2 SUITABLE INSERTS: SERIES HC26
CUSTOMER DRAWING: 1103428, 1103429,
1103431, 1103432
- 3 STANDARDS:
DIN EN 61984, DIN EN 60664-1
- 4 CODING GROOVE
- 5 PACKAGING:
40 SETS IN A CARTON, PRE-MOUNTED


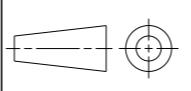
PN 0-1 AS SHOWN

1	BULKHEAD HOUSING	PA66-GF25	GREY	SERIES HC26, DESIGN PLASTIC	3
1	SEALING	FKM	GREY	SERIES HC26, BULKHEAD HSG.	2
1	O-RING	FKM, 70	BLACK	20.0x1.25 DIN 3771	1
QTY	DESCRIPTION	MATERIAL	SURFACE/COLOR	NOTE	ITEM

PARTS LIST

DIESE ZEICHNUNG IST EIN KONTROLLIERTES DOKUMENT.
 BEMASSUNGEN UND TOLERANZEN GEMAESS GPS (ISO STANDARDS).

THIS DRAWING IS A CONTROLLED DOCUMENT.
 DIMENSIONING AND TOLERANCING PER GPS (ISO STANDARDS).

DIMENSIONS: MASSEINHEITEN: MM	TOLERANCES UNLESS OTHERWISE SPECIFIED: ALLGEMEINTOLERANZEN	DWN H.BRAUN 28JUN2007	 TE Connectivity
	0 PLC ±0.20	CHK T.VETTER 27OCT2008	
	1 PLC ±0.15	APVD T.SCHNURPFIL 27OCT2008	
	2 PLC ±0.10	PRODUCT SPEC PRODUKTSPEZ.	
	3 PLC ±	APPLICATION SPEC VERARBEITUNGSSPEZ.	NAME BULKHEAD HOUSING ASS'Y SERIES HC26, DESIGN PLASTIC POWER 4 NET
	4 PLC ±		SIZE A3
	ANGLES/WINKEL ±1°		CAGE CODE 00779
MATERIAL	FINISH/OBERFLAECHE/FARBE	WEIGHT GEWICHT	DRAWING NO. ZEICHNUNGS-NR. G=1103433
			RESTRICTED TO NUR FUER
CUSTOMER DRAWING		/KUNDENZEICHNUNG	SCALE MASSSTAB 2:1
		SHEET BLATT 1	OF VON 1
		REV F1	