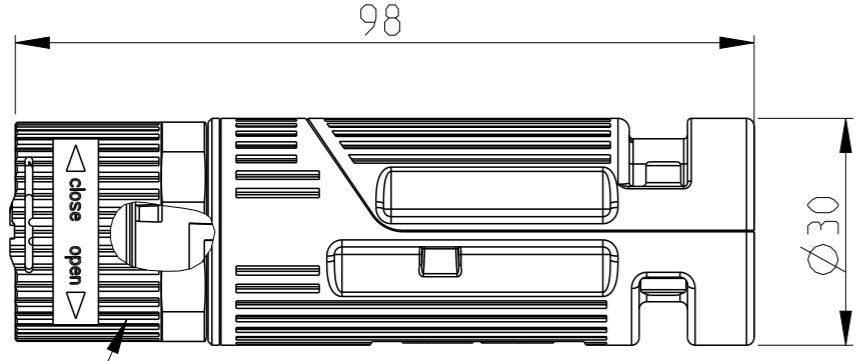


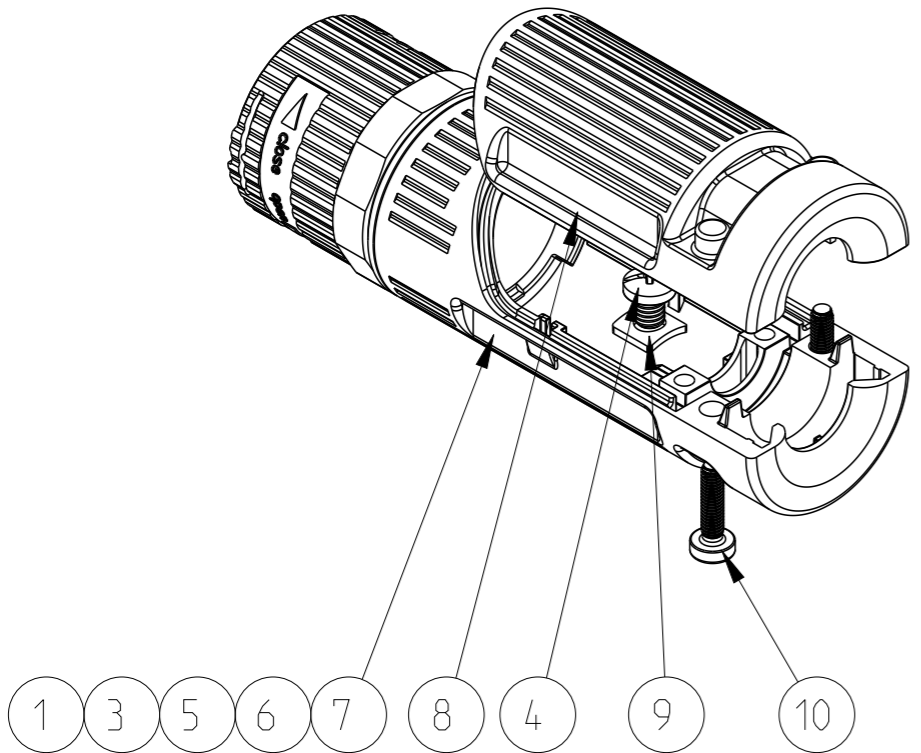
THIS DRAWING IS UNPUBLISHED  
 VERTRAULICHE UNVEROFFENTLICHTE ZEICHNUNG  
 © COPYRIGHT 2009 Tyco Electronics AMP GmbH  
 RELEASED FOR PUBLICATION  
 FREI FUER VEROFFENTLICHUNG  
 26.SEP. 2009  
 ALL RIGHTS RESERVED.  
 ALLE RECHTE VORBEHALTEN.

LOC	DIST	REVISIONS AENDERUNGEN					
AI	-	P	LTR	DESCRIPTION BESCHREIBUNG	DATE	DWN	APVD
PROJEKT NR.:			D3	ECR-11-015098	20JUL2011	GW	OH
			E1	RETAINING RING CHANGED (ITEM 3)	22NOV2012	KHH	PK



Notes


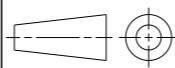
- 1 SUITABLE HOUSINGS: SERIES HC26  
CUSTOMER DRAWING: 1103439, 1103436
- 2 SUITABLE INSERTS: SERIES HC26  
CUSTOMER DRAWING: 1103428, 1103429, 1103431, 1103432
- 3 STANDARDS:  
DIN EN 61984, DIN EN 60664-1
- 4 PACKAGING:  
40 SETS IN A CARTON
- 5 SUITABLE: ACCESSORY KIT:  
CUSTOMER DRAWING 1103483



PN 0-1 AS SHOWN

2	SCREW FOR METAL	STEEL	ZINC PLATED	10
1	CLIP TAB	STEEL	ZINC PLATED	9
1	COVER	ZINC ALLOY	NICKEL PLATED	8
1	COUPLING NUT	ZINC ALLOY	NICKEL PLATED	7
1	CONNECTOR ADAPTOR	ZINC ALLOY	NICKEL PLATED	6
1	CIRCULAR HOUSING	ZINC ALLOY	NICKEL PLATED	5
1	SCREW, PAN HEAD	STEEL	NICKEL PLATED	4
2	RETAINING RING	BRASS	NICKEL PLATED	3
1	SEALING	FKM	GREY	2
1	O-RING	FKM 70	BLUE	1
QTY	DESCRIPTION	MATERIAL	SURFACE/COLOR	ITEM

PARTS LIST (PER ONE UNIT)

DIESE ZEICHNUNG IST EIN KONTROLLIERTES DOKUMENT. BEMASSUNGEN UND TOLERANZEN GEMAESS GPS (ISO STANDARDS).		TOLERANCING ISO 8015 TOLERIERUNG ISO 8015	
THIS DRAWING IS A CONTROLLED DOCUMENT. DIMENSIONING AND TOLERANCING PER GPS (ISO STANDARDS).		 TE Connectivity	
DIMENSIONS: MASSEINHEITEN: MM 		TOLERANCES UNLESS OTHERWISE SPECIFIED: ALLGEMEINTOLERANZEN 0 PLC ±- 1 PLC ±- 2 PLC ±- 3 PLC ±- 4 PLC ±- ANGLES/WINKEL ±1° FINISH/OBERFLAECHE/FARBE -	
MATERIAL -		NAME CONNECTOR HOUSING ASSY SERIES HC26, CIRC. HSG., DESIGN METAL POWER 4 NET SIZE A3 CAGE CODE 00779 DRAWING NO. ZEICHNUNGS-NR. C=1103440	
DWN T.VETTER 24SEP2009 CHK O.HOLZMANN 24SEP2009 APVD T.SCHNURPFIL 24SEP2009 PRODUCT SPEC PRODUKTSPEZ. 108-74097 APPLICATION SPEC VERARBEITUNGSSPEZ. 114-74103 WEIGHT GEWICHT -		RESTRICTED TO NUR FUER - SCALE MASSSTAB 1:1 SHEET BLATT 1 OF VON 1 REV E1	
CUSTOMER DRAWING		/KUNDENZEICHNUNG	