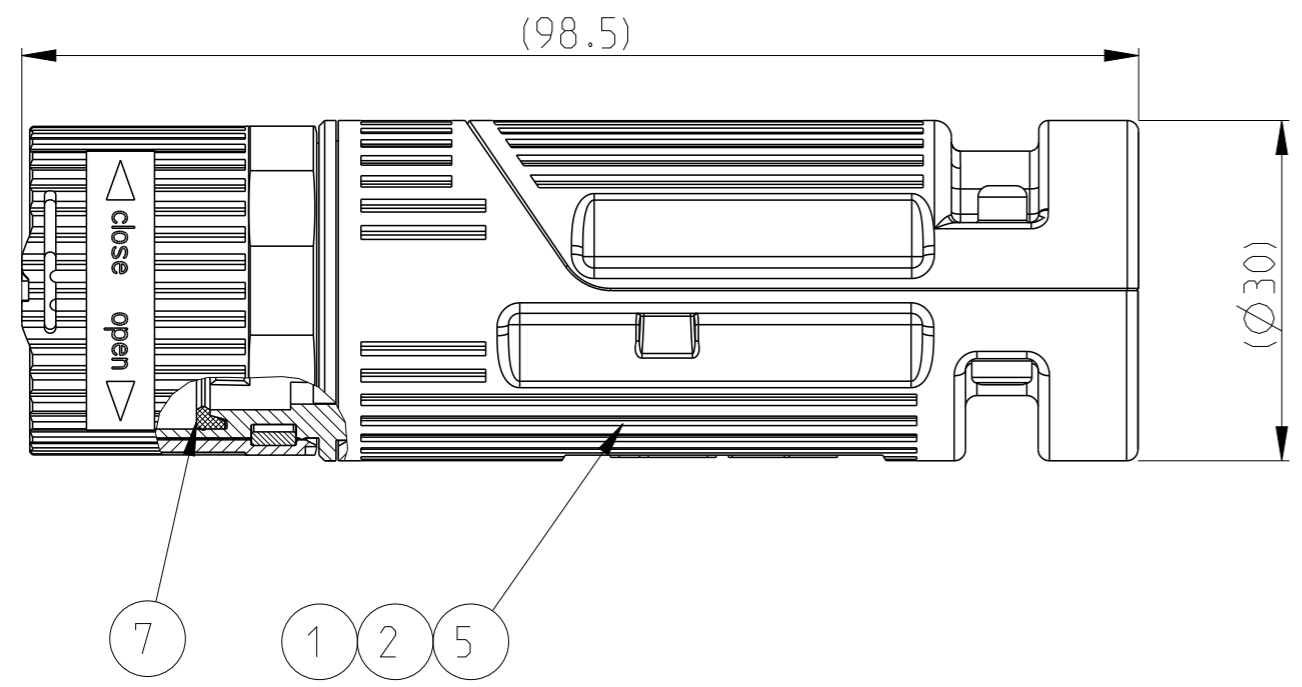


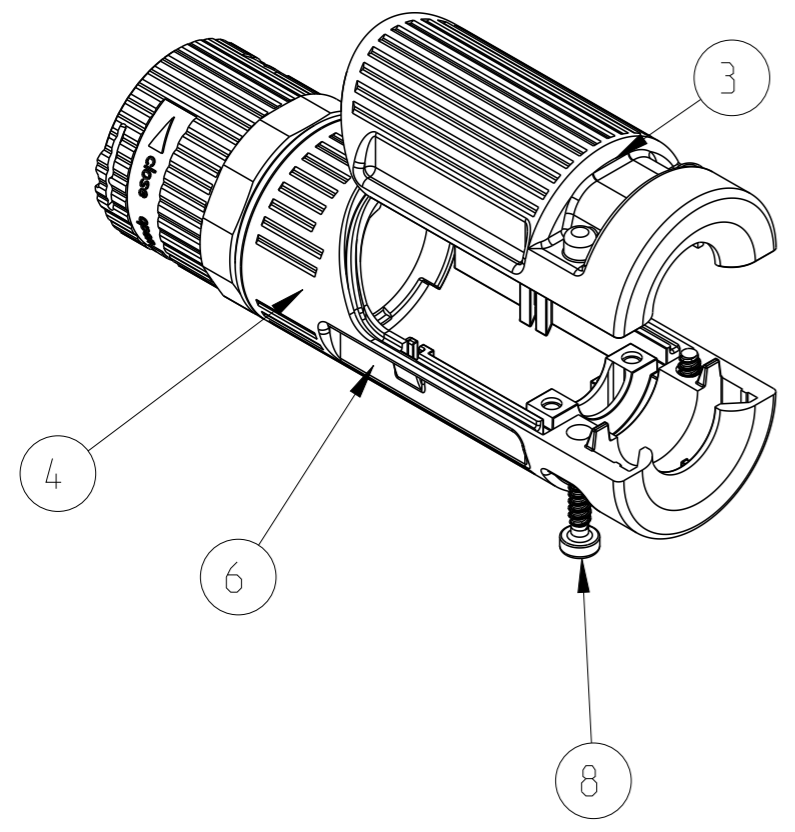
THIS DRAWING IS UNPUBLISHED  
 VERTRAULICHE UNVERÖFFENTLICHTE ZEICHNUNG  
 © COPYRIGHT 2009 Tyco Electronics AMP GmbH  
 RELEASED FOR PUBLICATION  
 FREI FUER VERÖFFENTLICHUNG  
 23.OCT. 2009  
 ALL RIGHTS RESERVED.  
 ALLE RECHTE VORBEHALTEN.

LOC	DIST	REVISIONS ÄNDERUNGEN					
AI	-	P	LTR	DESCRIPTION BESCHREIBUNG	DATE	DWN	APVD
PROJEKT NR.:			D3	ECR-11-015098	19JUL2011	GW	OH
			E1	RETAINING RING CHANGED	22NOV2012	KHH	PK



Notes

- 1 SUITABLE HOUSINGS: SERIES HC26  
CUSTOMER DRAWING: 1103433 1103470
- 2 SUITABLE INSERTS: SERIES HC26  
CUSTOMER DRAWING: 1103428, 1103429, 1103431, 1103432
- 3 STANDARDS:  
DIN EN 61984, DIN EN 60664-1
- 4 PACKAGING:  
40 SETS IN A CARTON
- 5 SUITABLE: ACCESSORY KIT:  
CUSTOMER DRAWING 1103483



QTY	DESCRIPTION	MATERIAL	SURFACE/COLOR	NOTE	ITEM
2	SCREW FOR PLASTICS	STEEL	ZINC PLATED	WN5452, 10IP 3.0x12	8
1	SEALING	FKM	GREY	SERIES HC26, INTERMATE	7
1	CIRCULAR HOUSING	PA66-GF25	GREY	SERIES HC26, DESIGN PLASTIC	6
2	RETAINING RING	BRASS	NICKEL PLATED	SERIES HC26, CONN./ COUPL. HSG.	5
1	COUPLING NUT	PA66-GF25	GREY	SERIES HC26, CONN. HSG., DESIGN PLASTIC	4
1	COVER	PA66-GF25	GREY	SERIES HC26, CONN. & COUP.HSG DESIGN PLASTIC	3
1	CONNECTOR ADAPTOR	PA66-GF25	GREY	SERIES HC26, CIRCULAR HSG. DESIGN PLASTIC	2
1	O-RING	FKM 70	BLUE	23.52x1.78 DIN 3771	1

PARTS LIST

DIESE ZEICHNUNG IST EIN KONTROLLIERTES DOKUMENT.  
 BEMASSUNGEN UND TOLERANZEN GEMAESS GPS (ISO STANDARDS).

THIS DRAWING IS A CONTROLLED DOCUMENT.  
 DIMENSIONING AND TOLERANCING PER GPS (ISO STANDARDS).

TOLERANCING ISO 8015  
 TOLERIERUNG ISO 8015

**TE** TE Connectivity

NAME: CONNECTOR HOUSING ASSY  
 SERIESHC26, CIR.HSG, DESIGN PLASTIC  
 POWER 4 NET

SIZE: A3 CAGE CODE: 00779 DRAWING NO: 1103467  
 ZEICHNUNGS-NR. C=1103467

RESTRICTED TO NUR FUER

CUSTOMER DRAWING /KUNDENZEICHNUNG SCALE MASSSTAB 1:1 SHEET BLATT 1 OF VON 1 REV E1