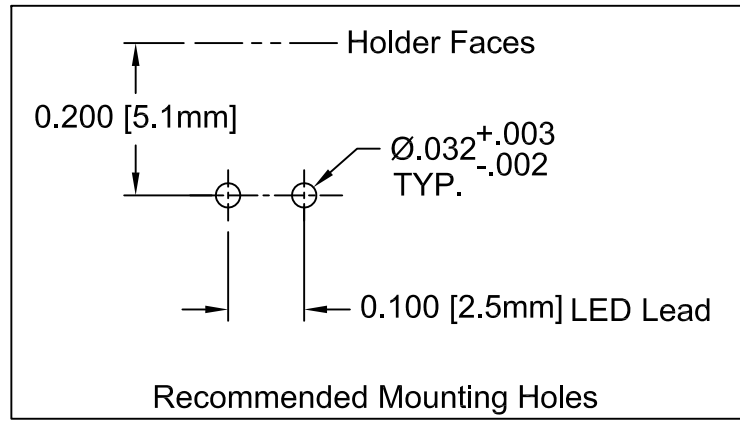
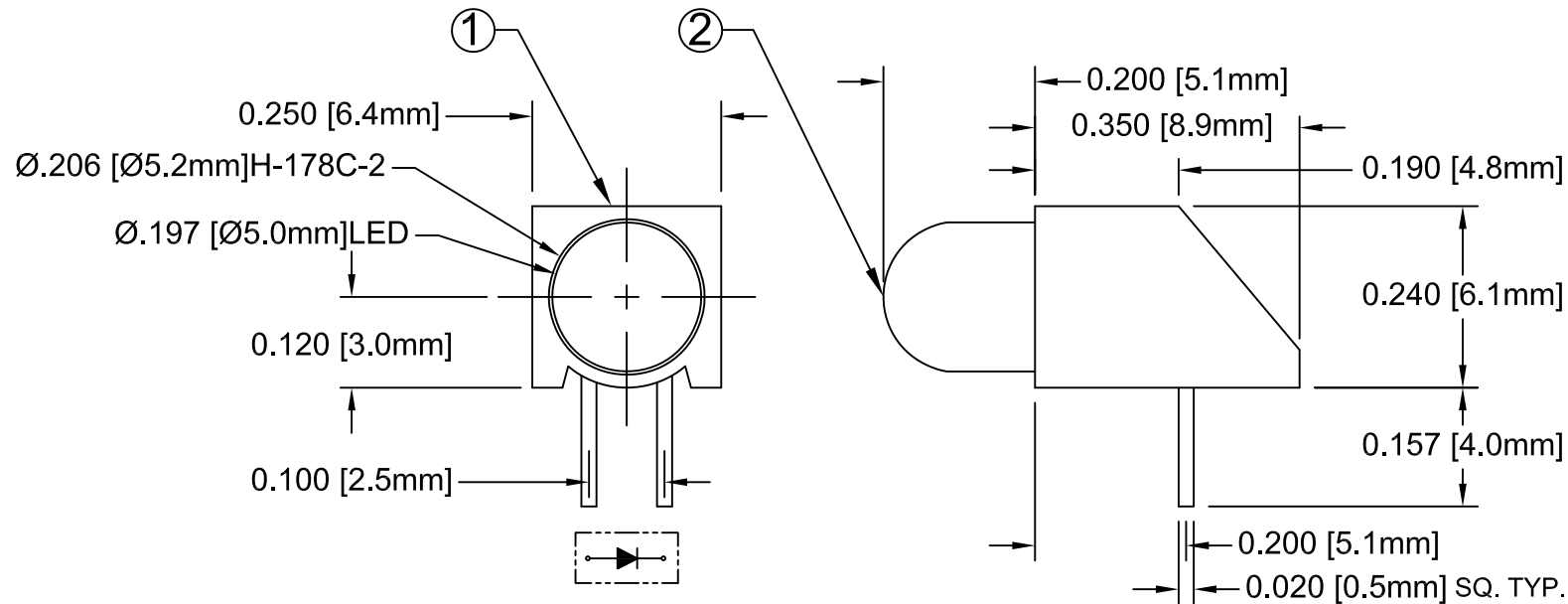


ITEM	Q'TY	PART NUMBER	PART DESCRIPTION
1	1	H-178C-2	T-1¼ (5mm) LED Holder, 90° Mount
2	1	5XX	T-1¼ (5mm) Non-Flange LED, See Page 2

REV.	DESCRIPTION	DATE	APPROVED
C	Change LED Holder To H-178C-2	11/08/05	M. C.
D	Updated LED Protrusion from .215 to .200	01/09/07	M. C.
E	Corrected Typo	02/13/07	M. C.
F	Updated Specs, P.2	02/10/09	T. Y.
G	Added 5UUYC LED	03/25/10	T. Y.




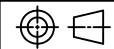
ABSOLUTE MAXIMUM RATINGS (Ta=25° C)

REVERSE VOLTAGE _____	5V
REVERSE CURRENT _____	100uA
OPERATING TEMPERATURE RANGE _____	-25° C - 85° C
STORAGE TEMPERATURE _____	-30° C - 100° C
LEAD SOLDERING TEMPERATURE(1/16" FROM BODY) _____	260° C FOR 5 SECONDS

STANDARD TOLERANCE (UNLESS OTHERWISE SPECIFIED)		BIVAR [®] 4 THOMAS, IRVINE, CA. 92618 TEL: (949) 951-8808 FAX: (949) 951-3974
DECIMALS	ANGULAR	
.X ± .1	X° ± 1°	
.XX ± .02		TITLE: T-1¼ (5MM) 90° SINGLE-LEVEL LED ASSY
.XXX ± .010		
DESIGNED: Ty Yin	DATE: 03/05/04	PART NO: H178CXX REVISION: G
CHECKED: D. Green	DATE: 03/05/04	
		CAGE CODE : 32559 SHEET # 1 OF 2 <small>CAD GENERATED DOCUMENT, DO NOT MEASURE DRAWING.</small>

REV.	DESCRIPTION	DATE	APPROVED
	SEE SHEET#1.		

LED Assy. No.	Peak Wave Length λ_p (nm)	Emitted Color	Lens Appearance	Electro-Optical Data				Viewing Angle $2\theta_{1/2}$ (Deg)	LED P/N
				I _f (mA)	V _f (V)		I _v (mcd)		
				TYP	TYP	MAX	TYP		
STANDARD				Data @ 20mA					
H178CBWD	430	BLUE	DIFFUSED	20	4.0	4.5	15	45	5BWD
H178CGD	568	GREEN	DIFFUSED	20	2.1	2.8	25	45	5GD
H178CSGD	568	GREEN	DIFFUSED	20	2.1	2.8	30	45	5SGD
H178CSUGC	570	GREEN	WATER CLEAR	20	2.1	2.4	400	35	5SUGC
H178CYD	590	YELLOW	DIFFUSED	20	2.0	2.8	25	45	5YD
H178CSYD	590	YELLOW	DIFFUSED	20	2.0	2.4	300	45	5SYD
H178CUUYC	590	YELLOW	WATER CLEAR	20	2.0	2.4	500	35	5UUYC
H178CAD	605	AMBER	DIFFUSED	20	2.0	2.8	25	45	5AD
H178CHD	625	HE RED	DIFFUSED	20	2.0	2.8	25	45	5HD
H178CRD	700	RED	DIFFUSED	20	2.1	2.8	2	45	5RD
H178CSR	645	RED	DIFFUSED	20	1.7	2.4	40	45	5SRD
LOW CURRENT				Data @ 2mA					
H178CGDL	568	GREEN	DIFFUSED	2	2.1	2.6	5	45	5GDL
H178CYDL	590	YELLOW	DIFFUSED	2	2.0	2.6	4	45	5YDL
H178CHDL	625	HE RED	DIFFUSED	2	2.0	2.6	5	45	5HDL
5 VOLT				Data @ 5V					
H178CGD5V	568	GREEN	DIFFUSED	10	-	5.0	25	45	5GD5V
H178CYD5V	590	YELLOW	DIFFUSED	10	-	5.0	20	45	5YD5V
H178CHD5V	625	HE RED	DIFFUSED	10	-	5.0	50	45	5HD5V

STANDARD TOLERANCE (UNLESS OTHERWISE SPECIFIED) $\pm 10\%$ ALL VALUES ANGULAR		 BIVAR [®] 4 THOMAS, IRVINE, CA. 92618 TEL: (949) 951-8808 FAX: (949) 951-3974	
			
DESIGNED: Ty Yin	DATE: 03/05/04	PART NO: H178CXX REVISION: G	SHEET # 2 OF 2
CHECKED: D. Green	DATE: 03/05/04		
CAD GENERATED DOCUMENT, DO NOT MEASURE DRAWING.			