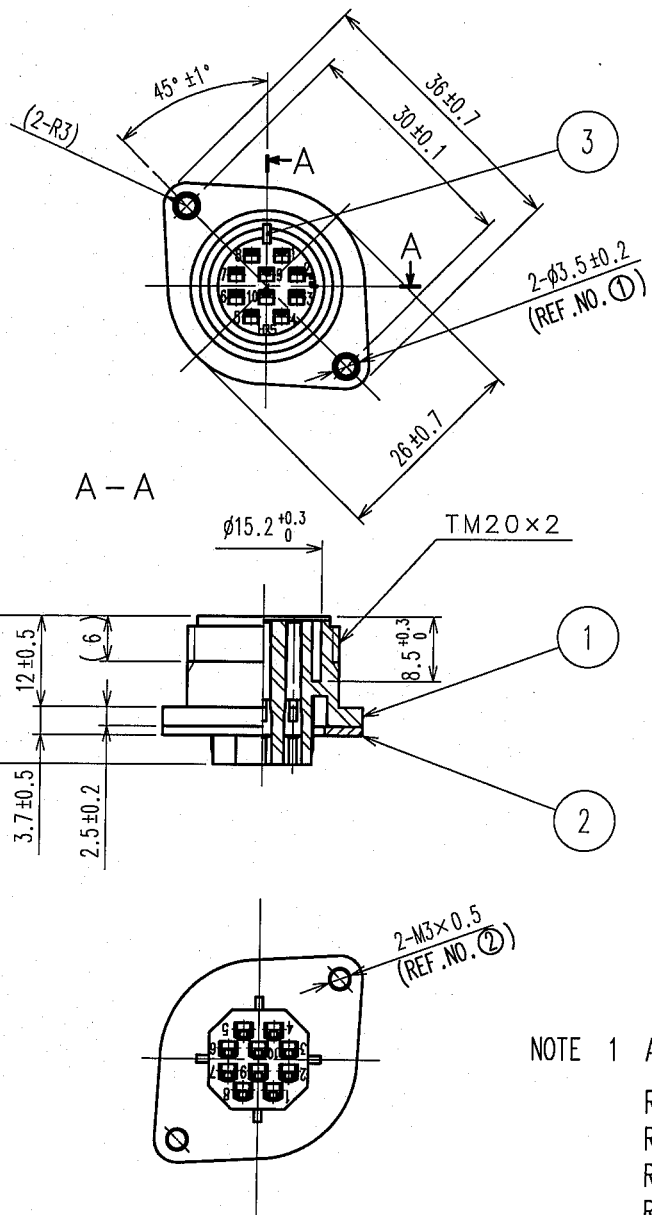


2013/11/19 22:27:23 SROper

参考図：ご確認用。正式には別途納入仕様書をご請求願います。

1			2			3			4					
COUNT	DESCRIPTION OF REVISIONS	BY	CHKD	DATE	COUNT	DESCRIPTION OF REVISIONS	BY	CHKD	DATE	COUNT	DESCRIPTION OF REVISIONS	BY	CHKD	DATE
△					△					△				
△					△					△				
△					△					△				



NOTE 1 APPLICABLE GRIMP CONTACT  
 RM-SC-112(AWG#24 TO #20)  
 RM-SC-212(AWG#24 TO #20)  
 RM-SC-122(AWG#28 TO #24)  
 RM-SC-222(AWG#28 TO #24)

2	STEEL	NICKEL PLATING						
1	POLYCARBONATE	(BLACK) UL94V-0	3	STEEL	NICKEL PLATING			
NO.	MATERIAL	FINISH, REMARKS	NO.	MATERIAL	FINISH, REMARKS			
CODE NO. (OLD) CL			DRAWN	DESIGNED	CHECKED	APPROVED	RELEASED	
			<i>G. Yamada</i> 05.18.31	<i>G. Yamada</i> 05.08.31	<i>H. Zemba</i> 05.09.01	<i>M. Sato</i> 05.09.01		
DRAWING NO. EDC4-008399-71			PART NO. RM215TR-10SC(71)					
UNITS mm			CODE NO. CL109-2004-8-71				1/1	
<b>HRS</b> HIROSE ELECTRIC CO., LTD.								

TO  
R