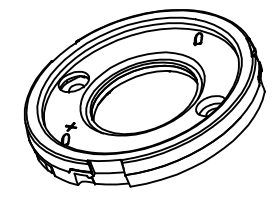
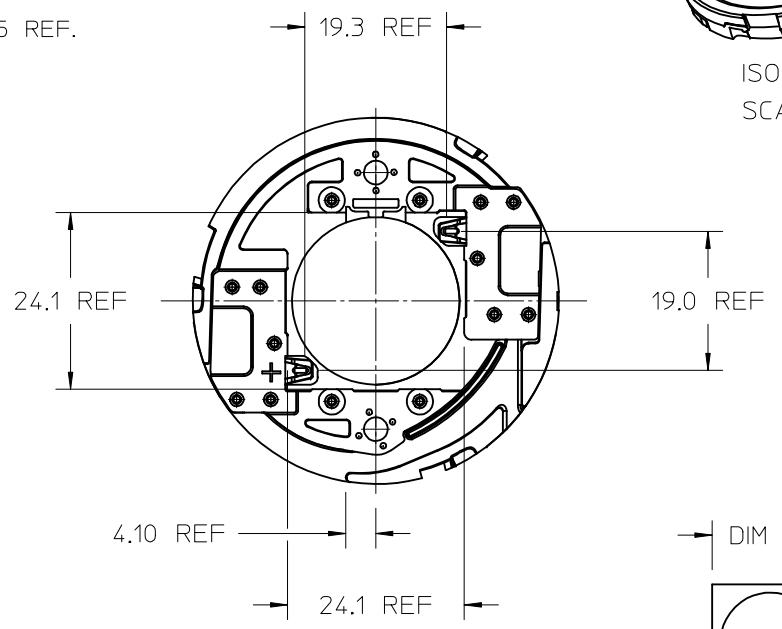
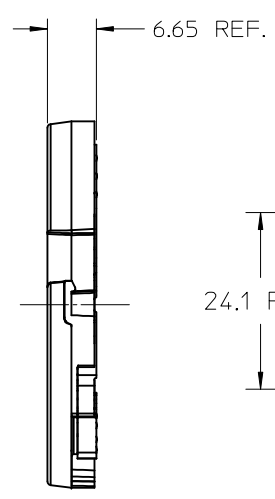
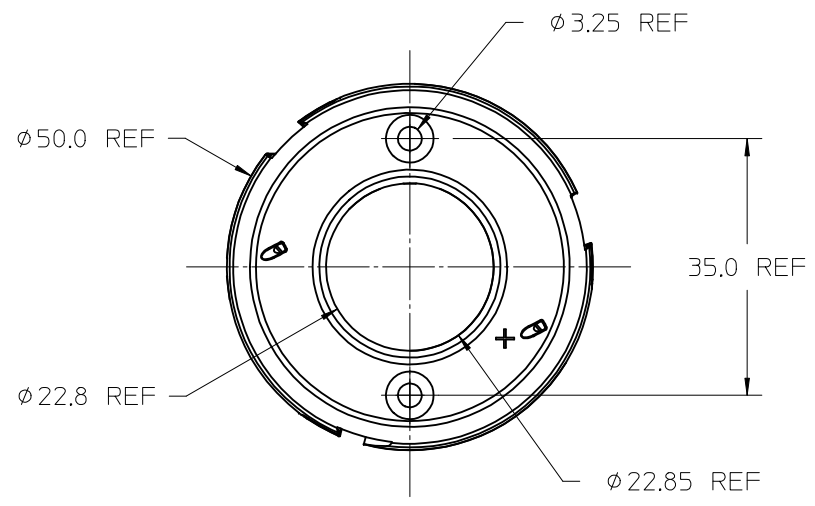
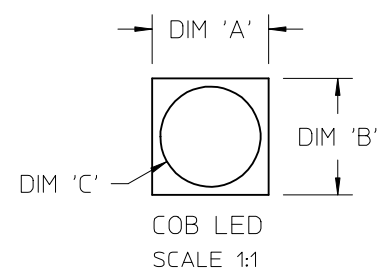


10	9	8	7	6	5	4	3	2	1
COB MFG	TYPE	DIM 'A'	DIM 'B'	THICKNESS	DIM 'C'				
CREE	CXA25	23.85	23.85	1.15	21.0				
OSRAM	X19	24.00	24.00	0.96	19.8				



ISO VIEW  
SCALE 1:1



COB LED  
SCALE 1:1

NOTES:

- 1) MATERIALS:
  - a. TOP HOUSING: WHITE COLOR PBT 30% GF UL94V-0
  - b. BOTTOM HOUSING: WHITE COLOR PBT 30% GF UL94V-0
- 2) WIRE TRAP TERMINALS: COPPER ALLOY
  - a. FINISH: SELECTIVE GOLD OVER NICKEL
- 3) THIS PRODUCT IS ELV AND ROHS COMPLIANT
- 4) APPLICABLE WIRE GAUGE - 18 THRU 22 AWG
  - a. SOLID WIRE IS RECOMMENDED
  - b. IF STRANDED WIRE IS USED, PRE-TINNED IS RECOMMENDED
  - c. 11.0mm±1.0mm STRIP LENGTH IS RECOMMENDED
- 5) MOUNT HOLDER USING M3 SCREWS (2), 0.4 NEWTON METER MINIMUM TORQUE TO 0.8 NEWTON METER MAXIMUM TORQUE

ENTER DESCRIPTION EC NO: SSL2014-0055 DRAWN/MCOLE 2013/11/10 CHKD:HWANST/PHOUT 2013/11/12 APPR:DMCGOWAN 2013/11/18	DESCRIPTION REV A	QUALITY SYMBOLS	GENERAL TOLERANCES (UNLESS SPECIFIED)	DIMENSION STYLE	SCALE	DESIGN UNITS	THIRD ANGLE PROJECTION																		
		$\nabla F/0$ $\nabla E/0$ $\nabla D/0$	<table border="1"> <tr> <th></th> <th>mm</th> <th>INCH</th> </tr> <tr> <td>4 PLACES</td> <td>± ---</td> <td>± ---</td> </tr> <tr> <td>3 PLACES</td> <td>± ---</td> <td>± ---</td> </tr> <tr> <td>2 PLACES</td> <td>± ---</td> <td>± ---</td> </tr> <tr> <td>1 PLACE</td> <td>± ---</td> <td>± ---</td> </tr> <tr> <td>0 PLACE</td> <td>± ---</td> <td>± ---</td> </tr> </table>		mm	INCH	4 PLACES	± ---	± ---	3 PLACES	± ---	± ---	2 PLACES	± ---	± ---	1 PLACE	± ---	± ---	0 PLACE	± ---	± ---	MM ONLY	1.5:1	METRIC	
			mm	INCH																					
		4 PLACES	± ---	± ---																					
3 PLACES	± ---	± ---																							
2 PLACES	± ---	± ---																							
1 PLACE	± ---	± ---																							
0 PLACE	± ---	± ---																							
DRAFT WHERE APPLICABLE MUST REMAIN WITHIN DIMENSIONS		DRAWN BY: FJAKLIC CHECKED BY: MCOLE APPROVED BY: DMCGOWAN MATERIAL NO.: 1808100001	DATE: 2013/05/16 DATE: 2013/05/17 DATE: 2013/05/17	TITLE: COB HOLDER ASSEMBLY 24.1MM X 24.1MM SQUARE WITH PRE HOLD		DOCUMENT NO.: SD-180810-001	SHEET NO.: 1 OF 1																		
THIS DRAWING CONTAINS INFORMATION THAT IS PROPRIETARY TO MOLEX INCORPORATED AND SHOULD NOT BE USED WITHOUT WRITTEN PERMISSION																									