



PART NO.

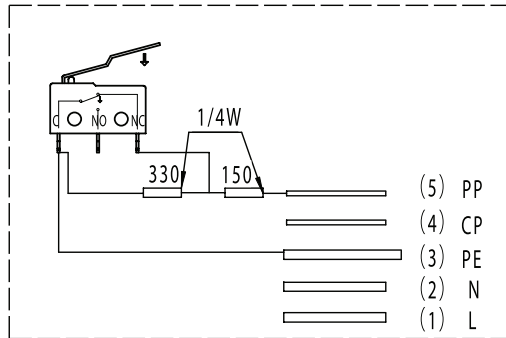
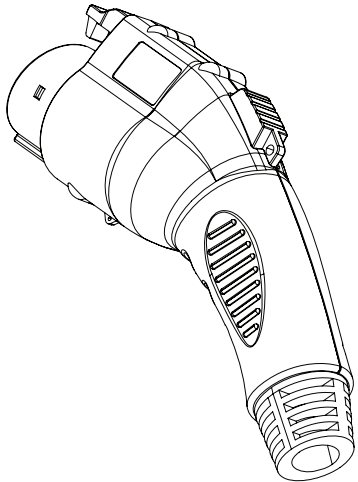
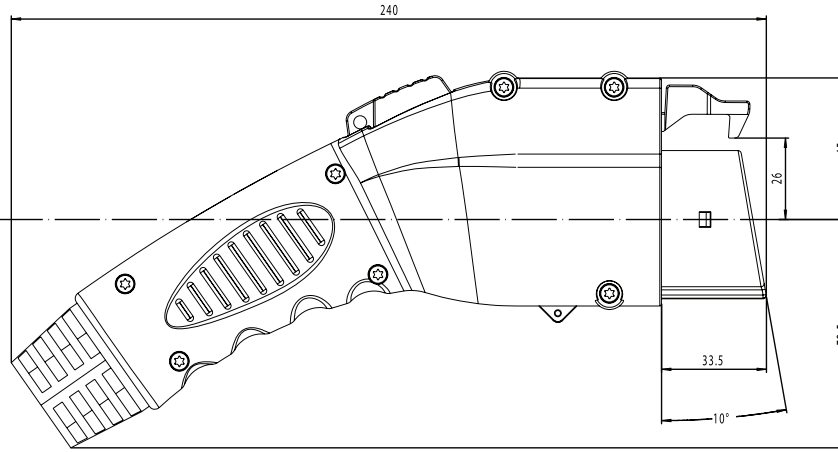
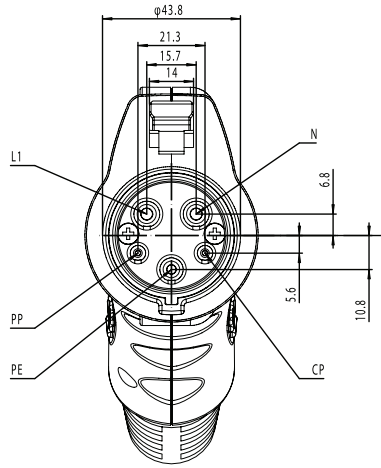
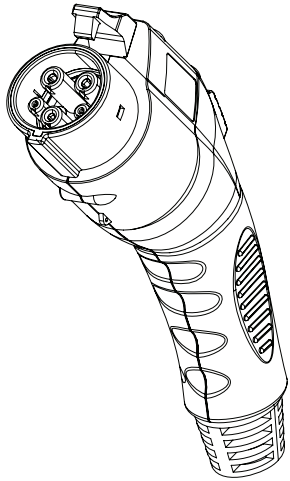
DSI-EV16P-NC

REVISIONS

ECN #	REV	DESCRIPTION	DRAWN	DATE	CHECKD	DATE	APPRVD	DATE
-	1.0	RELEASED	DO	12/11/13	ER	12/11/13	ER	12/11/13

DSI-EV16P-NC

RoHS  
Compliant



Technical Parameters:

Current and Voltage : 16A 240V AC  
 Signal Current : 2A <30V DC  
 Protection Degree : IP54  
 Charging Cable : 16A 1P+N+PE+PP+CP  
 The Plug was designed according to the standard of SAE J1772- 2010  
 The static resistance is 150 $\Omega$ , and the resistance will increase to 480 $\Omega$  when pressing the button.

www.element14.com  
 www.farnell.com  
 www.newark.com

**Important Notice :** This data sheet and its contents (the "Information") belong to the members of the Premier Farnell group of companies (the "Group") or are licensed to it. No licence is granted for the use of it other than for information purposes in connection with the products to which it relates. No licence of any intellectual property rights is granted. The Information is subject to change without notice and replaces all data sheets previously supplied. The Information supplied is believed to be accurate but the Group assumes no responsibility for its accuracy or completeness, any error in or omission from it or for any use made of it. Users of this data sheet should check for themselves the Information and the suitability of the products for their purpose and not make any assumptions based on information included or omitted. Liability for loss or damage resulting from any reliance on the Information or use of it (including liability resulting from negligence or where the Group was aware of the possibility of such loss or damage arising) is excluded. This will not operate to limit or restrict the Group's liability for death or personal injury resulting from its negligence. Multicomp is the registered trademark of the Group. © Premier Farnell plc 2012.

**TOLERANCES:**  
 UNLESS OTHERWISE SPECIFIED, DIMENSIONS ARE FOR REFERENCE PURPOSES ONLY.

DRAWN BY:	DATE:
DO	12/11/13
CHECKED BY:	DATE:
ER	12/11/13
APPROVED BY:	DATE:
ER	12/11/13

DRAWING TITLE:			
DSI-EV16P-NC			
SIZE	DWG NO.	ELECTRONIC FILE	REV
A4	DSI-EV16P-01	DSI-001	1.0
SCALE: NTS		U.O.M.: mm	SHEET: 1 of 2



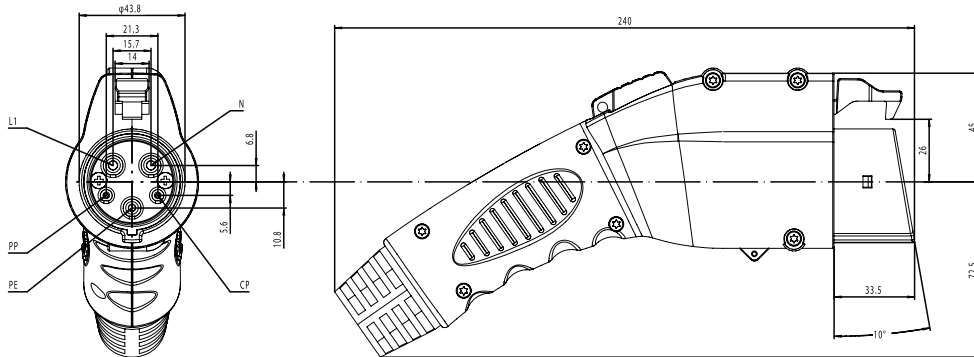
PART NO.

DSI-EV16P-3C  
DSI-EV16P-5C

REVISIONS

ECN #	REV	DESCRIPTION	DRAWN	DATE	CHECKD	DATE	APPRVD	DATE
-	1.0	RELEASED	DO	12/11/13	ER	12/11/13	ER	12/11/13

DSI-EV16P-3C  
DSI-EV16P-5C

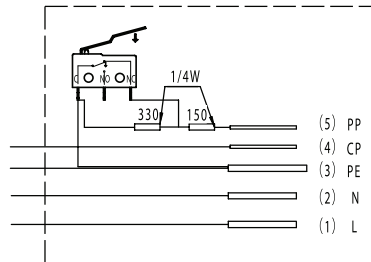
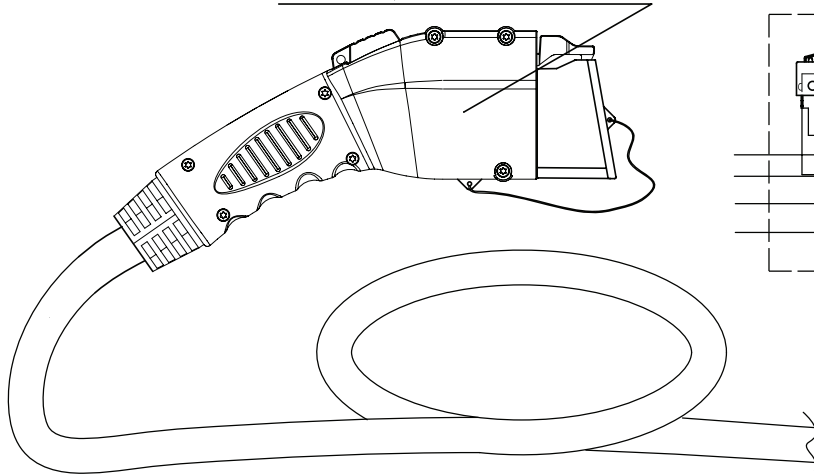


Technical Parameters:

- Current and Voltage : 16A 240V AC
- Signal Current : 2A <30V DC
- Protection Degree : IP54
- Charging Cable : 16A 1P+N+PE+PP+CP

The Plug was designed according to the standard of SAE J1772- 2010 The static resistance is 150Ω, and the resistance will increase to 480Ω when pressing the button.  
Charging cable 3000/5,000mm 3×2.5mm<sup>2</sup>+0.5mm<sup>2</sup>

IEC 62196-2 Type I (With dust cover )



Cable Specification

Function	16A 240V
L1 (1)	2.5mm <sup>2</sup>
N (2)	2.5mm <sup>2</sup>
PE (3)	2.5mm <sup>2</sup>
CP (4)	0.5mm <sup>2</sup>
PP (5)	

www.element14.com  
www.farnell.com  
www.newark.com

**Important Notice :** This data sheet and its contents (the "Information") belong to the members of the Premier Farnell group of companies (the "Group") or are licensed to it. No licence is granted for the use of it other than for information purposes in connection with the products to which it relates. No licence of any intellectual property rights is granted. The Information is subject to change without notice and replaces all data sheets previously supplied. The Information supplied is believed to be accurate but the Group assumes no responsibility for its accuracy or completeness, any error in or omission from it or for any use made of it. Users of this data sheet should check for themselves the Information and the suitability of the products for their purpose and not make any assumptions based on information included or omitted. Liability for loss or damage resulting from any reliance on the Information or use of it (including liability resulting from negligence or where the Group was aware of the possibility of such loss or damage arising) is excluded. This will not operate to limit or restrict the Group's liability for death or personal injury resulting from its negligence. Multicomp is the registered trademark of the Group. © Premier Farnell plc 2012.

**TOLERANCES:**  
  
UNLESS OTHERWISE SPECIFIED, DIMENSIONS ARE FOR REFERENCE PURPOSES ONLY.

DRAWN BY:	DATE:
DO	12/11/13
CHECKED BY:	DATE:
ER	12/11/13
APPROVED BY:	DATE:
ER	12/11/13

DRAWING TITLE:		DSI-EV16P-3C DSI-EV16P-5C	
SIZE	DWG NO.	ELECTRONIC FILE	REV
A4	DSI-EV16P-01	DSI-001	1.0
SCALE: NTS		U.O.M.: mm	SHEET: 2 of 2