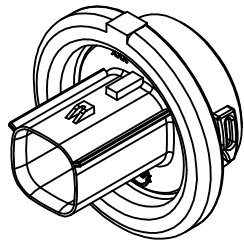
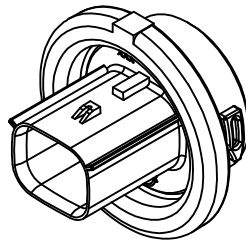


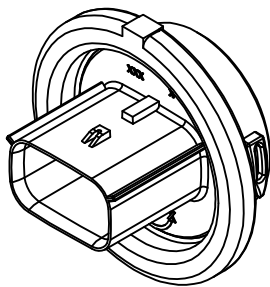
TABLE OF CONTENTS	
SHEET NO.	SHEET DESCRIPTION
1	NOTES
2	BOM
3	6/8 CKT KEY OPTION CONFIGURATIONS
4	12/16 CKT KEY OPTION CONFIGURATIONS
5	BULKHEAD CONNECTOR
6	6/8 CKT BULKHEAD CONNECTOR INTERFACE
7	6/8 CKT BULKHEAD CONNECTOR INTERFACE
8	12/16 CKT BULKHEAD CONNECTOR INTERFACE
9	12/16 CKT BULKHEAD CONNECTOR INTERFACE



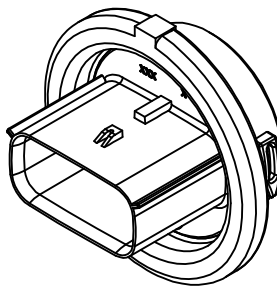
6 CIRCUIT



8 CIRCUIT



12 CIRCUIT



16 CIRCUIT

NOTES: VALID UNLESS OTHERWISE SPECIFIED

1. GENERAL:
 - a. APPLICATION SPECIFICATION SEE: AS-34840-001
 - CONTAINS: PRODUCT INTRODUCTION, PRODUCT SUMMARY, CONNECTOR ASSEMBLY, PACKAGING INFORMATION, CONNECTOR MATING, SERVICE INSTRUCTIONS, ELECTRICAL CONTINUITY CHECKING, CRIMPING, AND TROUBLESHOOTING.
 - DESIGNED TO MATE WITH RECEPTACLE HOUSING ASSEMBLY AS SPECIFIED IN DRAWING XXXX
 - FOR 1.5mm BLADE TERMINALS TO BE USED WITH THIS ASSEMBLY. SEE MOLEX DRAWING SD-33000-001.
 - SYSTEM TO BE USED WITH WIRE WITHIN DIAMETER RANGE OF TBD TO TBD.
 - ASSEMBLY SHIPPED WITH PLR IN PRE-LOCK POSITION (SEE SECTION A-A PRE-LOCK).
 - IN THE EVENT THAT THE PLR IS FOUND IN THE SEATED (FINAL LOCK) POSITION, REFER TO MOLEX SPECIFICATION PS-34646-001, AVAILABLE AT www.molex.com <<http://www.molex.com>>.
 - b. PRODUCT SPECIFICATION SEE: PS-34840-001
 - CONTAINS: PRODUCT INTRODUCTION, PRODUCT SUMMARY, RATINGS (CURRENT, TEMPERATURE, SEALING, AND FLAMMABILITY), AND PRODUCT VALIDATION.
 - c. PACKAGING SPECIFICATION PER MOLEX DRAWING: PK-31301-615
 - d. PARTS MUST BE IN COMPLIANCE TO MOLEX CHEMICAL SUBSTANCES FOR PRODUCTS AND PACKAGING SPECIFICATION: ES-40000-5016
 - e. DATA MUST BE SUBMITTED UNDER THE MOLEX PART NUMBER TO IMDS (COMPANY ID#13255)
2. DESIGN - MATERIALS:
 - a. SEE BOM TABLE
3. DESIGN - GEOMETRY:
 - a. THIS IS A 100% CAD GENERATED PART. THE CAD MATHEMATICAL DATA IS THE MASTER FOR THIS PART. FOR DIMENSIONAL OR ANY INFORMATION NOT SHOWN ON THIS DRAWING, ANALYZE THE CAD MODEL.
 - b. GEOMETRIC DIMENSIONS AND TOLERANCES PER ASME Y14.5M - 2009
 - c. EDGES AND UNDIMENSIONED DETAILS PER ISO13715
 - d. CORNERS SHOWN AS SHARP TO BE R 0.2 MAX.
 - e. LETTERING SHALL BE 0.15 MAX RAISED IN 0.25 MAX RECESS PAD. THIS INCLUDES RECYCLING CODE, CAVITY ID, VENDOR IDENTIFICATION, AND CUSTOMER MATERIAL NUMBER.
 - f. VISUAL DEFECTS SHALL MEET COSMETIC STANDARD PS-45499-002 (Class B) CAD MODEL.
 - g. LASER MARKING: TBD

B3	UPDATED PART STATUS
B2	ADDED BASIC DIMENSION ON 6/8 CKT ICD
B1	UPDATED 12/16 CKT PART STATUS
B	ADDED NOTE 4
A	OK TO TOOL 6 & 8 CKT
4	ADDED 6/8 CKT PER CP1E UPDATES
3	UPDATED FORMAT
2	DESIGN RELEASE
1	QUOTE ONLY
REV	DESCRIPTION

INSPECTION BALLOON NUMBER LOG	
PER DRAWING REVISION: B3	
LAST BALLOON NUMBER USED: 30	
ADDED BALLOON NUMBERS:	
REMOVED BALLOON NUMBERS: NONE	
SEE REV. COLUMN	QUALITY SYMBOLS
LEC NO: UAU2013-0858	GENERAL TOLERANCES (UNLESS SPECIFIED)
DRAWN/MDLCK	mm INCH
CHKD:	4 PLACES ± --- ± ---
APPR: VKOSHY	3 PLACES ± --- ± ---
DESCRIPTION	2 PLACES ± 0.10 ± ---
2012/12/14	1 PLACE ± 0.20 ± ---
	ANGULAR ± 3 °
	DRAFT WHERE APPLICABLE MUST REMAIN WITHIN DIMENSIONS
	SIZE D
	THIS DRAWING CONTAINS INFORMATION THAT IS PROPRIETARY TO MOLEX INCORPORATED AND SHOULD NOT BE USED WITHOUT WRITTEN PERMISSION

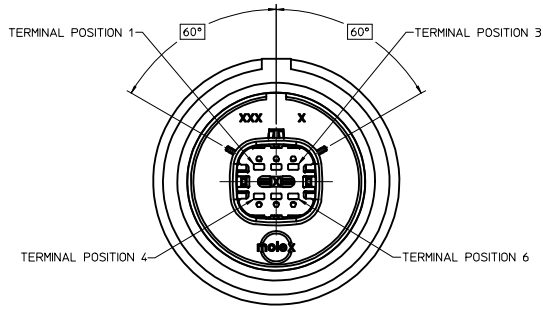
DIMENSION STYLE	SCALE	DESIGN UNITS	THIRD ANGLE PROJECTION
MM ONLY	2:1	METRIC	

DRAWN BY	DATE	TITLE
MDLCK	2011/11/22	MX150 DUAL ROW BULKHEAD TWIST-LOCK CONNECTOR ASSEMBLY
CHECKED BY	DATE	
MYANSLAMBROU	2011/11/22	
APPROVED BY	DATE	

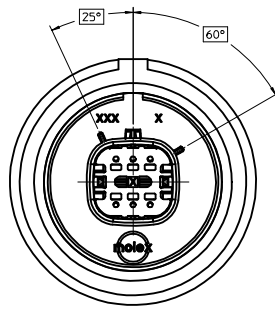
MATERIAL NO.	DOCUMENT NO.
SEE TABLE	SD-34840-001
	MOLEX INCORPORATED
	SHEET NO. 1 OF 9

6 CIRCUIT CONFIGURATIONS

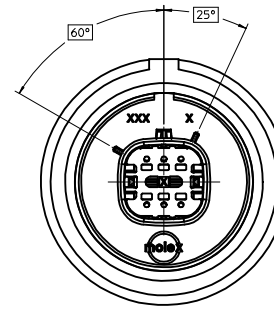
6/8 CKT KEY OPTION CONFIGURATIONS



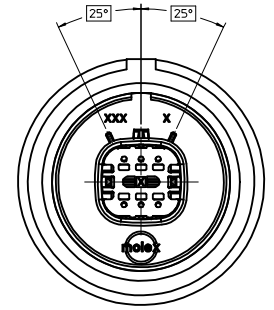
KEY OPTION A



KEY OPTION B

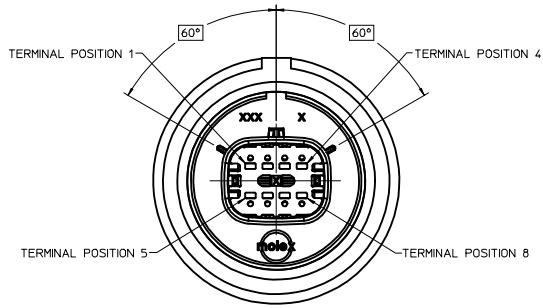


KEY OPTION C

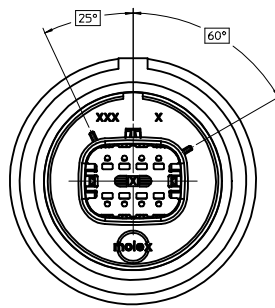


KEY OPTION D

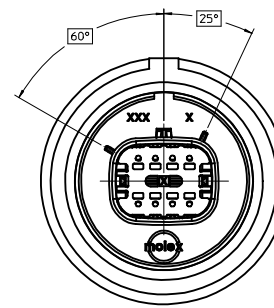
8 CIRCUIT CONFIGURATIONS



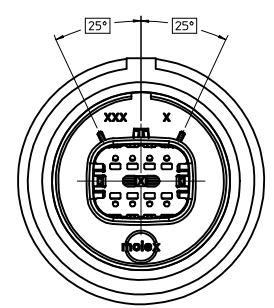
KEY OPTION A



KEY OPTION B



KEY OPTION C

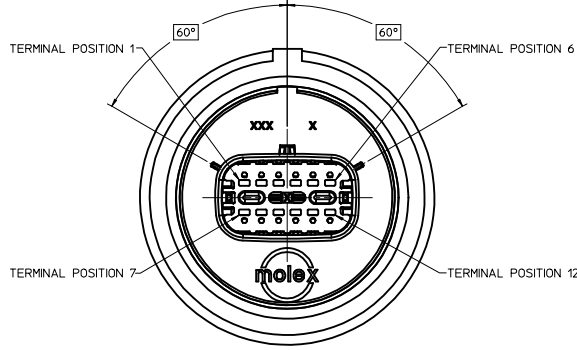


KEY OPTION D

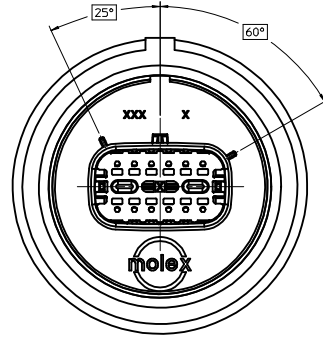
SEE REV. COLUMN DEC NO. UAU2013-0858 DRAWN BY MD LCK CHKD: APPR: VKOSHY 2012/12/14	QUALITY SYMBOLS ▽=0 ▽=0 ▽=0	GENERAL TOLERANCES (UNLESS SPECIFIED)		DIMENSION STYLE MM ONLY	SCALE 2:1	DESIGN UNITS METRIC	THIRD ANGLE PROJECTION		
		4 PLACES ± --- ± ---	3 PLACES ± --- ± ---	2 PLACES ± 0.10 ± ---	1 PLACE ± 0.20 ± ---	DRAWN BY DATE MD LCK 2011/11/22	CHECKED BY DATE MYANSLAMBROU 2011/11/22	APPROVED BY DATE	TITLE MX150 DUAL ROW BULKHEAD TWIST-LOCK CONNECTOR ASSEMBLY
		ANGULAR ± 3°				MATERIAL NO. SEE TABLE	DOCUMENT NO. SD-34840-001	SHEET NO. 3 OF 9	MOLEX INCORPORATED
		DRAFT WHERE APPLICABLE MUST REMAIN WITHIN DIMENSIONS				THIS DRAWING CONTAINS INFORMATION THAT IS PROPRIETARY TO MOLEX INCORPORATED AND SHOULD NOT BE USED WITHOUT WRITTEN PERMISSION			

12 CIRCUIT CONFIGURATIONS

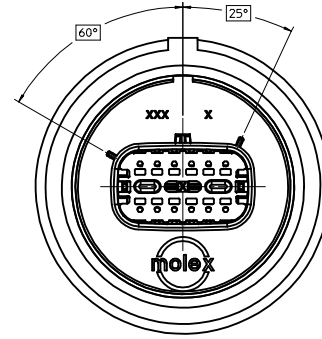
12/16 CKT KEY OPTION CONFIGURATIONS



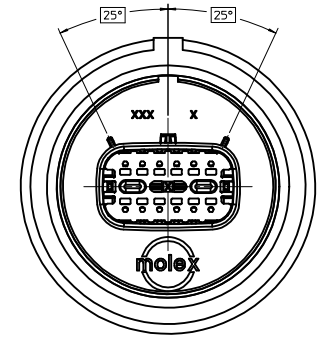
KEY OPTION A



KEY OPTION B

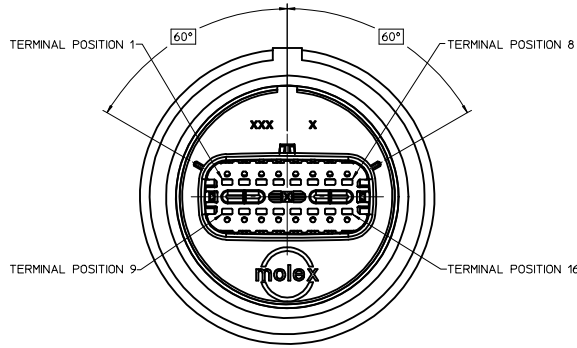


KEY OPTION C

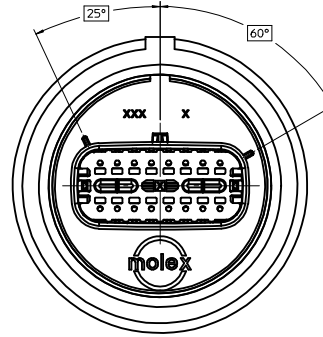


KEY OPTION D

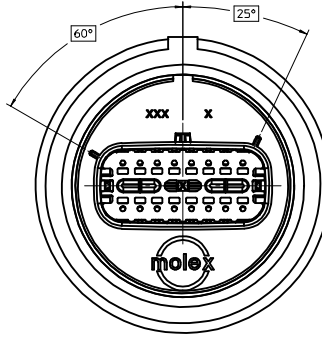
16 CIRCUIT CONFIGURATIONS



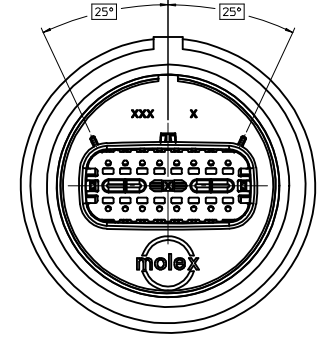
KEY OPTION A



KEY OPTION B



KEY OPTION C



KEY OPTION D

SEE REV. COLUMN DEC NO. JAN2013-0858 DRAWN/DICK CHKD: APPR:VKOSHY 2012/12/14	QUALITY SYMBOLS	GENERAL TOLERANCES (UNLESS SPECIFIED)		DIMENSION STYLE	SCALE	DESIGN UNITS	THIRD ANGLE PROJECTION
	▽=0	mm	INCH	MM ONLY	2:1	METRIC	
	▽=0	4 PLACES ±---	±---	DRAWN BY	DATE	TITLE	
	▽=0	3 PLACES ±---	±---	MDICK	2011/11/22		
		2 PLACES ±0.10	±---	CHECKED BY	DATE		
		1 PLACE ±0.20	±---	MYANSLAMBROU	2011/11/22		
		ANGULAR ± 3°		APPROVED BY	DATE		
		DRAFT WHERE APPLICABLE MUST REMAIN WITHIN DIMENSIONS		MATERIAL NO.	DOCUMENT NO.		
				SEE TABLE			
				THIS DRAWING CONTAINS INFORMATION THAT IS PROPRIETARY TO MOLEX INCORPORATED AND SHOULD NOT BE USED WITHOUT WRITTEN PERMISSION			

MX150 DUAL ROW BULKHEAD TWIST-LOCK CONNECTOR ASSEMBLY

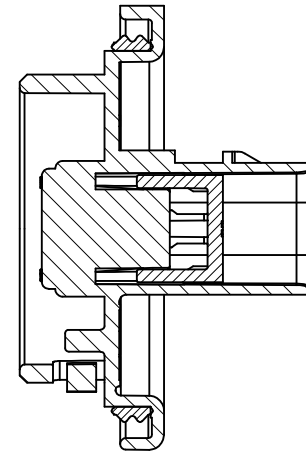
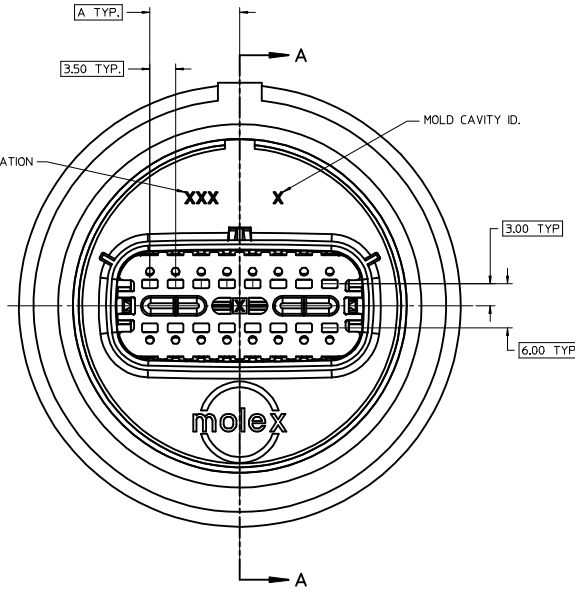
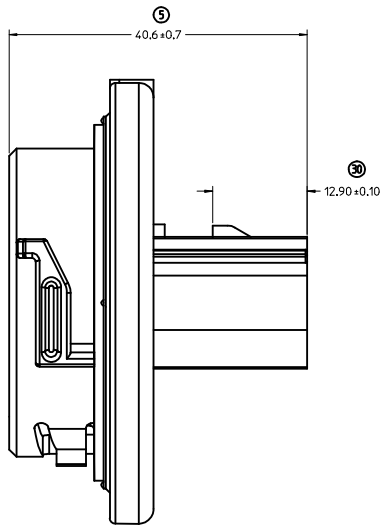
MOLEX MOLEX INCORPORATED

SD-34840-001

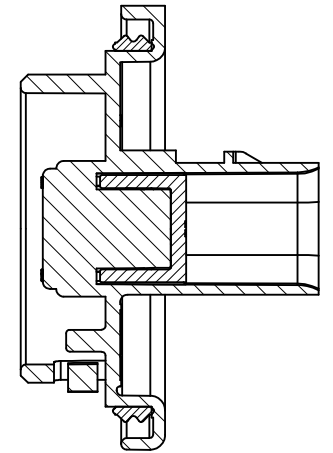
SHEET NO. 4 OF 9

CIRCUIT SIZE	DIMENSIONS	
	A	B
6	3.50	50.3
8	5.25	50.3
12	8.75	60.2
16	12.25	60.2

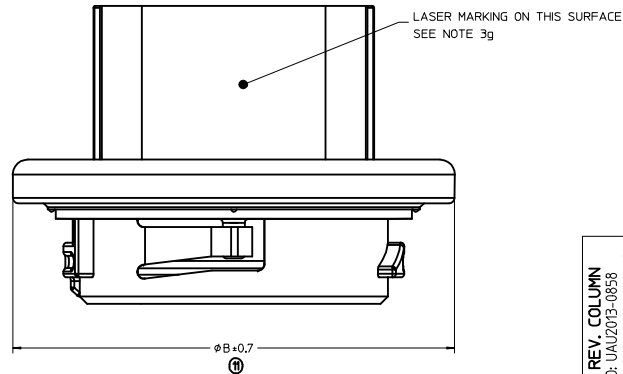
BULKHEAD CONNECTOR



SECTION A-A
PLR SHOWN IN PRE-LOCK POSITION



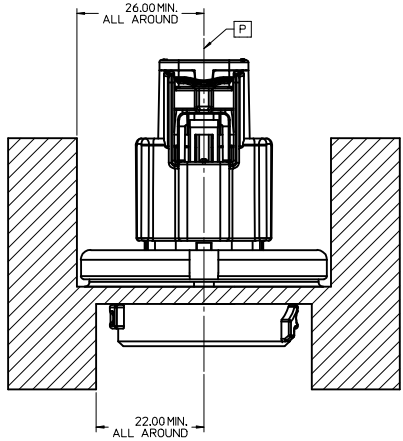
SECTION A-A
PLR SHOWN IN FINAL-LOCK POSITION



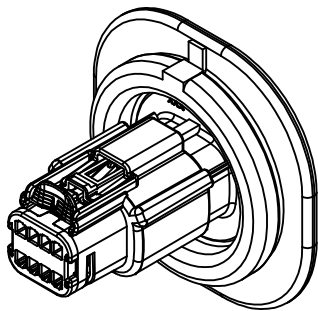
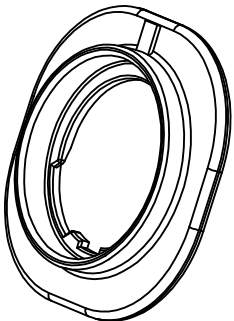
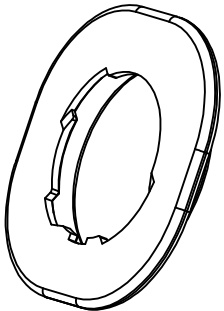
SEE REV. COLUMN DEC NO: UAU2013-0858 DRAWN: MDLCK CHKD: B3 APPR: WKOSHY 2012/12/14	QUALITY SYMBOLS	GENERAL TOLERANCES (UNLESS SPECIFIED)	DIMENSION STYLE	SCALE	DESIGN UNITS	THIRD ANGLE PROJECTION															
	$\nabla=0$ $\nabla=0$ $\nabla=0$	<table border="1"> <thead> <tr> <th></th> <th>mm</th> <th>INCH</th> </tr> </thead> <tbody> <tr> <td>4 PLACES</td> <td>±---</td> <td>±---</td> </tr> <tr> <td>3 PLACES</td> <td>±---</td> <td>±---</td> </tr> <tr> <td>2 PLACES</td> <td>±0.10</td> <td>±---</td> </tr> <tr> <td>1 PLACE</td> <td>±0.20</td> <td>±---</td> </tr> </tbody> </table>		mm	INCH	4 PLACES	±---	±---	3 PLACES	±---	±---	2 PLACES	±0.10	±---	1 PLACE	±0.20	±---	MM ONLY	3:1	METRIC	
		mm	INCH																		
	4 PLACES	±---	±---																		
3 PLACES	±---	±---																			
2 PLACES	±0.10	±---																			
1 PLACE	±0.20	±---																			
DRAFT WHERE APPLICABLE MUST REMAIN WITHIN DIMENSIONS	DRAWN BY: MDLCK CHECKED BY: MVANSLAMBROU APPROVED BY:	DATE: 2011/11/22 DATE: 2011/11/22 DATE:	MATERIAL NO: SEE TABLE	TITLE: MX150 DUAL ROW BULKHEAD TWIST-LOCK CONNECTOR ASSEMBLY	MOLEX INCORPORATED	DOCUMENT NO: SD-34840-001															
SIZE: D	THIS DRAWING CONTAINS INFORMATION THAT IS PROPRIETARY TO MOLEX INCORPORATED AND SHOULD NOT BE USED WITHOUT WRITTEN PERMISSION																				

6/8 CKT BULKHEAD CONNECTOR INTERFACE SHEET 1/2

IF BULKHEAD INTERFACE IS RECESSED INTO A POCKET, THESE DIMENSIONS REPRESENT THE MINIMUM CLEARANCE REQUIRED FOR THE MATING HARNESS AND BULKHEAD CONNECTOR SHROUDS.



PACKAGING FRAME

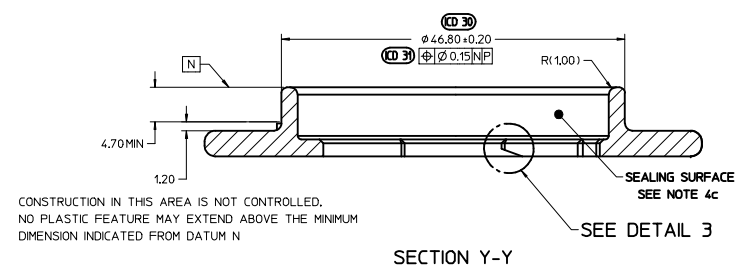
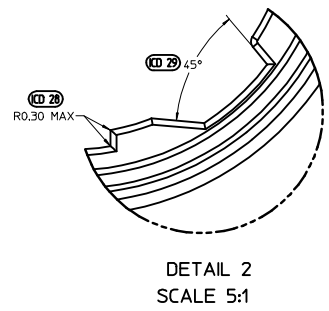
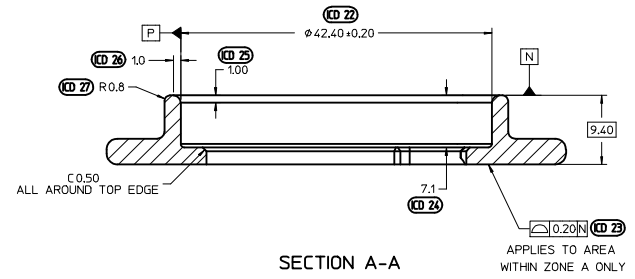
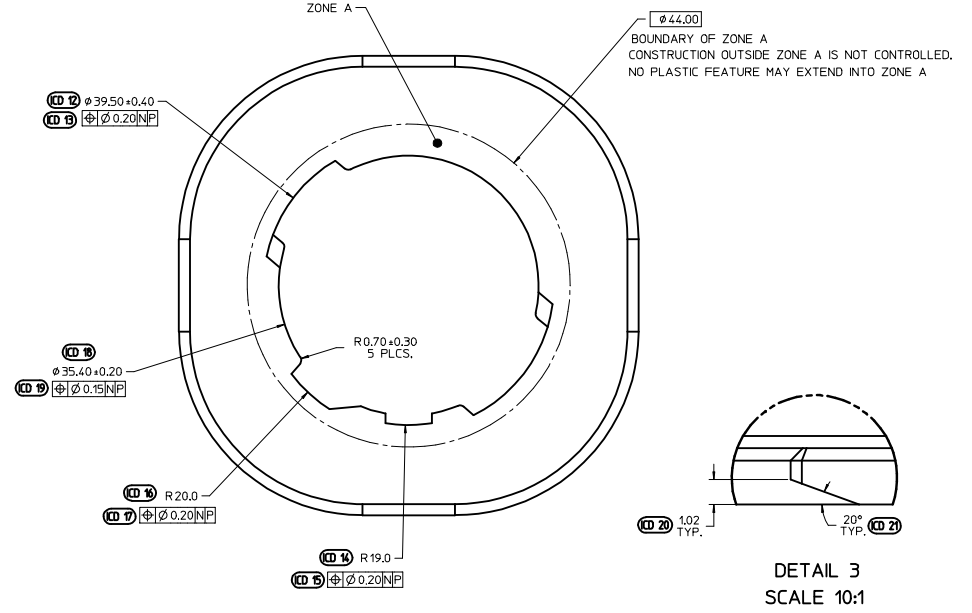
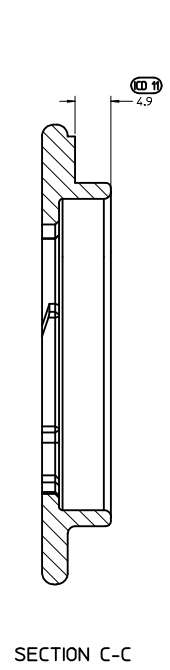
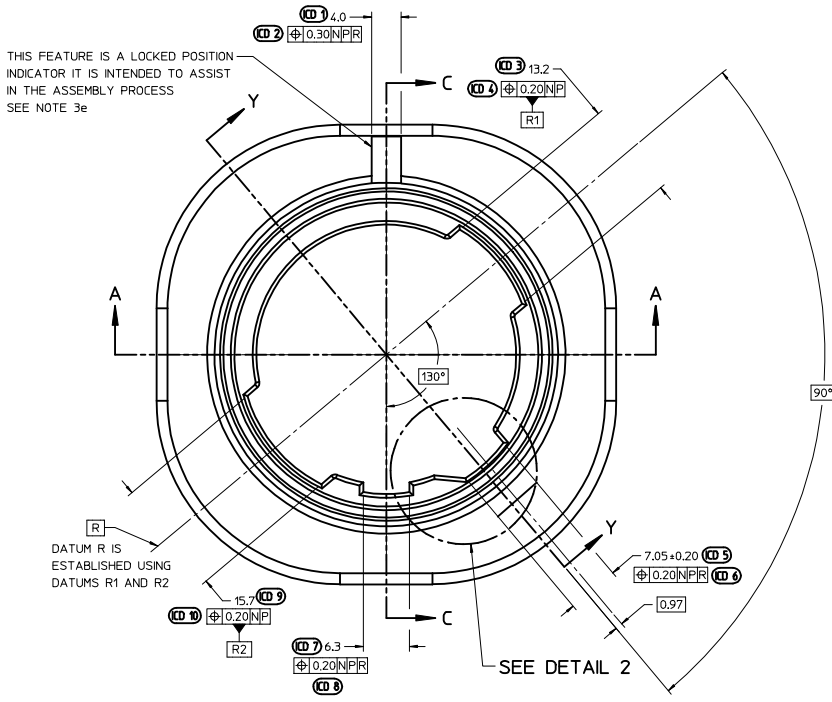


BULKHEAD INTERFACE NOTES: VALID UNLESS OTHERWISE SPECIFIED

- 1. GENERAL:
 - a. DESIGNED TO MATE WITH MOLEX CONNECTOR SERIES # 34840
 - b. ALL DIMENSIONS SHOWN IN MILLIMETERS
- 2. MATERIALS:
 - a. MATERIAL: BLACK TALC FILLED POLYPROPYLENE PER GMP.PP.030 OR EQUIVALENT
- 3. GEOMETRY:
 - a. THIS IS A 100% CAD GENERATED PART. THE CAD MATHEMATICAL DATA IS THE MASTER FOR THIS PART. FOR DIMENSIONAL OR ANY INFORMATION NOT SHOWN ON THIS DRAWING, ANALYZE THE CAD MODEL.
 - b. GEOMETRIC DIMENSIONS AND TOLERANCES PER ASME Y14.5M - 2009
 - c. GENERAL TOLERANCES: SEE TITLE BLOCK
 - d. EDGES AND UNDIMENSIONED DETAILS PER ISO13715
 - e. LOCKED POSITION INDICATOR IS INTENDED TO BE A VISUAL AID TO ENSURE THE BULKHEAD CONNECTOR IS IN THE LOCKED POSITION. THE BULKHEAD CONNECTOR HAS A CORRESPONDING FEATURE THAT WILL ALIGN WITH THE BULKHEAD INTERFACE WHEN FULLY LOCKED.
- 4. MANUFACTURING:
 - a. DRAFT TO BE WITHIN TOLERANCE.
 - PLUS DRAFT - INDICATES DIMENSION REPRESENTS THE SMALLEST SIZE OF A FEATURE. DRAFT WILL ADD MATERIAL.
 - MINUS DRAFT - INDICATES DIMENSION REPRESENTS THE LARGEST SIZE OF A FEATURE. DRAFT WILL REMOVE MATERIAL.
 - b. ALLOWABLE FLASH MAX 0.20 HIGH BY MAX 0.13 THICK.
 - c. NO PARTING LINES, MISMATCHES OR EJECTOR MARKS PERMISSIBLE WITHIN SEALING SURFACE. SEALING SURFACE TOOLING TO BE PROCESSED TO A SURFACE FINISH OF NTMA #70 (400 PAPER) MINIMUM
 - d. NO EXTERNAL MOLD RELEASE AGENT ALLOWED DURING MANUFACTURING.

SEE REV. COLUMN DEC NO: JAU2013-0858 B3 DRAWN: MDICK CHYK: APPR: IKOSHY 2012/10/10 2012/10/14	QUALITY SYMBOLS	GENERAL TOLERANCES (UNLESS SPECIFIED)	DIMENSION STYLE	SCALE	DESIGN UNITS	THIRD ANGLE PROJECTION	
	∇=0 ∇=0 ∇=0	4 PLACES ± 0.10 3 PLACES ± 0.15 2 PLACES ± 0.20 1 PLACE ± 0.25 ANGULAR ± 3°	MM ONLY 2:1	DRAWN BY: MDICK CHECKED BY: MVANSLAMBROU APPROVED BY:	DATE: 2011/11/22 DATE: 2011/11/22 DATE:	METRIC	MX150 DUAL ROW BULKHEAD TWIST-LOCK CONNECTOR ASSEMBLY
	DRAFT WHERE APPLICABLE MUST REMAIN WITHIN DIMENSIONS	MATERIAL NO. N/A	MOLEX INCORPORATED	MOLEX INCORPORATED			
	SIZE D	DOCUMENT NO. SD-34840-001	SHEET NO. 6 OF 9				

6/8 CKT BULKHEAD CONNECTOR INTERFACE SHEET 2/2



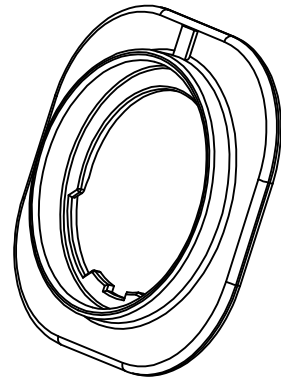
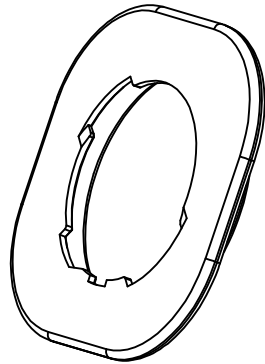
SEE REV. COLUMN ELEC NO. UAU2013-0858 DRAWN/MDLCK CHKD: APPR:VKOSHY 2012/12/14	QUALITY SYMBOLS	GENERAL TOLERANCES (UNLESS SPECIFIED)	DIMENSION STYLE	SCALE	DESIGN UNITS	THIRD ANGLE PROJECTION
	▽=0	mm INCH	MM ONLY	3:1	METRIC	☉
	▽=0	4 PLACES ± --- ± ---	DRAWN BY DATE			
	▽=0	3 PLACES ± --- ± ---	MDLCK 2011/11/22			
	2 PLACES ± 0.10 ± ---	CHECKED BY DATE				
	1 PLACE ± 0.20 ± ---	MYANSLAMBROU 2011/11/22				
	ANGULAR ± 3°	APPROVED BY DATE				
	DRAFT WHERE APPLICABLE MUST REMAIN WITHIN DIMENSIONS	MATERIAL NO.	N/A			
		DOCUMENT NO.				

MX150 DUAL ROW BULKHEAD TWIST-LOCK CONNECTOR ASSEMBLY

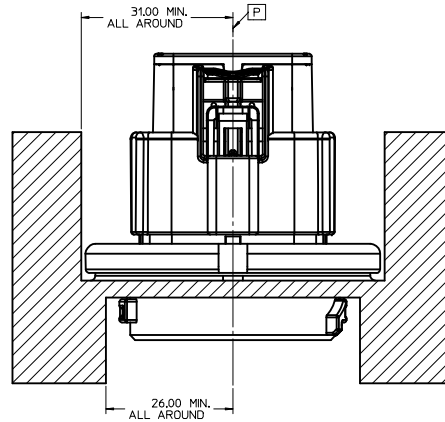
MOLEX INCORPORATED

SD-34840-001

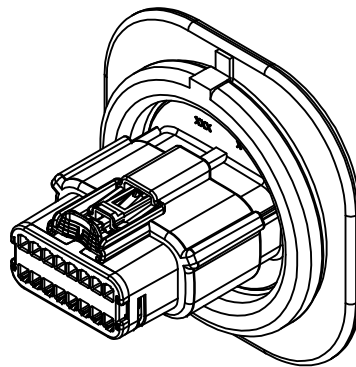
7 OF 9



IF BULKHEAD INTERFACE IS RECESSED INTO A POCKET, THESE DIMENSIONS REPRESENT THE MINIMUM CLEARANCE REQUIRED FOR THE MATING HARNESS AND BULKHEAD CONNECTOR SHROUDS.



PACKAGING FRAME



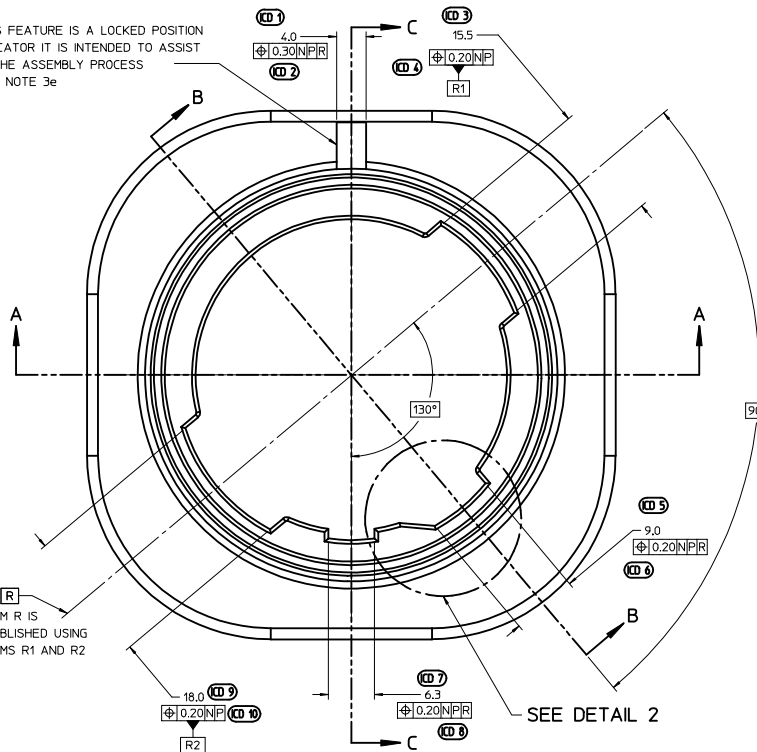
12/16 CKT BULKHEAD CONNECTOR INTERFACE SHEET 1/2

BULKHEAD INTERFACE NOTES: VALID UNLESS OTHERWISE SPECIFIED

1. GENERAL:
 - a. DESIGNED TO MATE WITH MOLEX CONNECTOR SERIES # 34840
 - b. ALL DIMENSIONS SHOWN IN MILLIMETERS
2. MATERIALS:
 - a. MATERIAL: BLACK TALC FILLED POLYPROPYLENE PER GMP.PP.030 OR EQUIVALENT
3. GEOMETRY:
 - a. THIS IS A 100% CAD GENERATED PART. THE CAD MATHEMATICAL DATA IS THE MASTER FOR THIS PART. FOR DIMENSIONAL OR ANY INFORMATION NOT SHOWN ON THIS DRAWING, ANALYZE THE CAD MODEL.
 - b. GEOMETRIC DIMENSIONS AND TOLERANCES PER ASME Y14.5M - 2009
 - c. GENERAL TOLERANCES: SEE TITLE BLOCK
 - d. EDGES AND UNDIMENSIONED DETAILS PER ISO13715
 - e. LOCKED POSITION INDICATOR IS INTENDED TO BE A VISUAL AID TO ENSURE THE BULKHEAD CONNECTOR IS IN THE LOCKED POSITION. THE BULKHEAD CONNECTOR HAS A CORRESPONDING FEATURE THAT WILL ALIGN WITH THE BULKHEAD INTERFACE WHEN FULLY LOCKED
4. MANUFACTURING:
 - a. DRAFT TO BE WITHIN TOLERANCE.
 - PLUS DRAFT - INDICATES DIMENSION REPRESENTS THE SMALLEST SIZE OF A FEATURE. DRAFT WILL ADD MATERIAL.
 - MINUS DRAFT - INDICATES DIMENSION REPRESENTS THE LARGEST SIZE OF A FEATURE. DRAFT WILL REMOVE MATERIAL.
 - b. ALLOWABLE FLASH MAX 0.20 HIGH BY MAX 0.13 THICK.
 - c. NO PARTING LINES, MISMATCHES OR EJECTOR MARKS PERMISSIBLE WITHIN SEALING SURFACE. SEALING SURFACE TOOLING TO BE PROCESSED TO A SURFACE FINISH OF N7MA #70 (400 PAPER) MINIMUM
 - d. NO EXTERNAL MOLD RELEASE AGENT ALLOWED DURING MANUFACTURING.

SEE REV. COLUMN DEC NO: JAU2013-0858 B3 DRAWN: MDICK CHYK: APPR: IKOSHY 2012/12/14 DESCRIPTION:	QUALITY SYMBOLS	GENERAL TOLERANCES (UNLESS SPECIFIED)	DIMENSION STYLE	SCALE	DESIGN UNITS	THIRD ANGLE PROJECTION
	∇=0 ∇=0 ∇=0	4 PLACES ±--- 3 PLACES ±--- 2 PLACES ±0.10 1 PLACE ±0.20	MM ONLY 2:1	DRAWN BY: MDICK DATE: 2011/11/22 CHECKED BY: MVANSLAMBROU DATE: 2011/11/22 APPROVED BY:	METRIC	MOLEX INCORPORATED MOLEX INCORPORATED
	DRAFT WHERE APPLICABLE MUST REMAIN WITHIN DIMENSIONS	ANGULAR ± 3 °	MATERIAL NO: N/A DOCUMENT NO: SD-34840-001	SHEET NO: 8 OF 9		
	THIS DRAWING CONTAINS INFORMATION THAT IS PROPRIETARY TO MOLEX INCORPORATED AND SHOULD NOT BE USED WITHOUT WRITTEN PERMISSION					

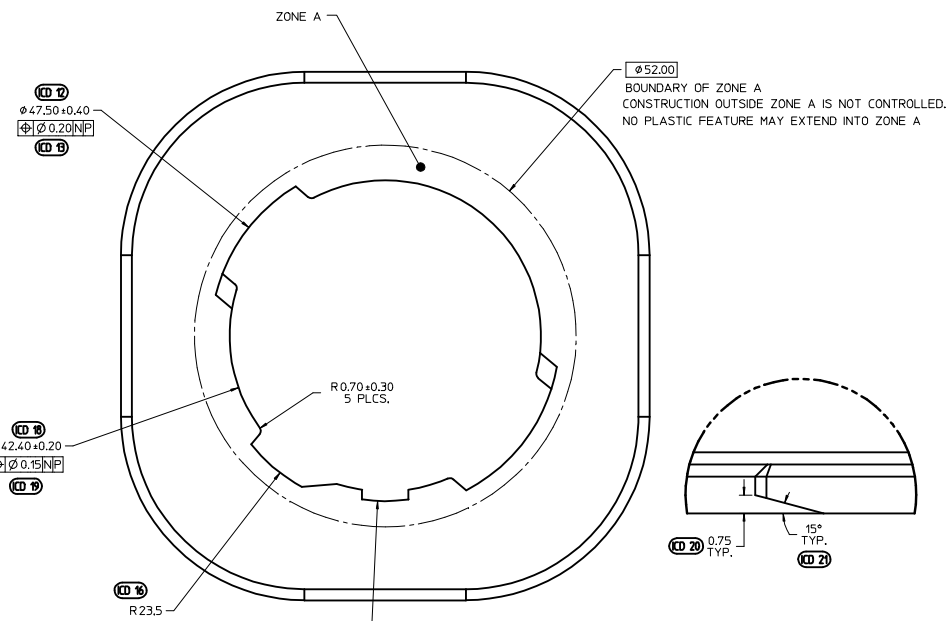
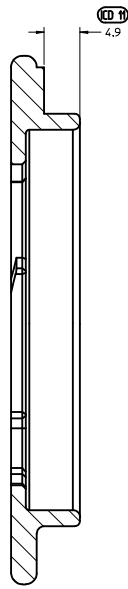
THIS FEATURE IS A LOCKED POSITION INDICATOR IT IS INTENDED TO ASSIST IN THE ASSEMBLY PROCESS SEE NOTE 3e



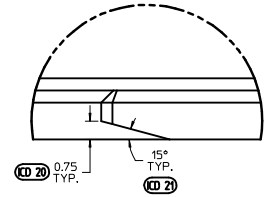
DATUM R IS ESTABLISHED USING DATUMS R1 AND R2

SEE DETAIL 2

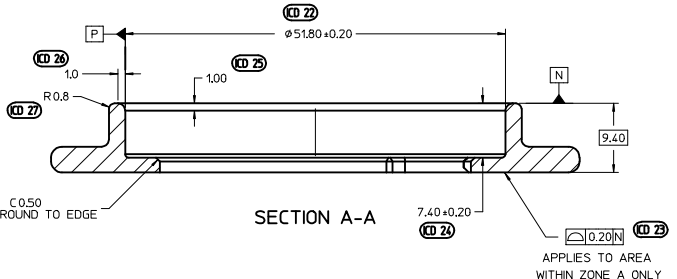
SECTION C-C



BOUNDARY OF ZONE A CONSTRUCTION OUTSIDE ZONE A IS NOT CONTROLLED. NO PLASTIC FEATURE MAY EXTEND INTO ZONE A

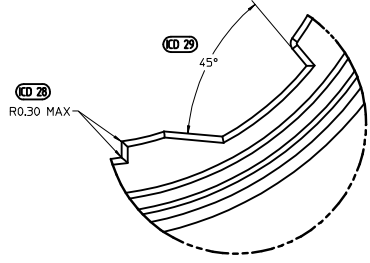


DETAIL 1 SCALE 10:1

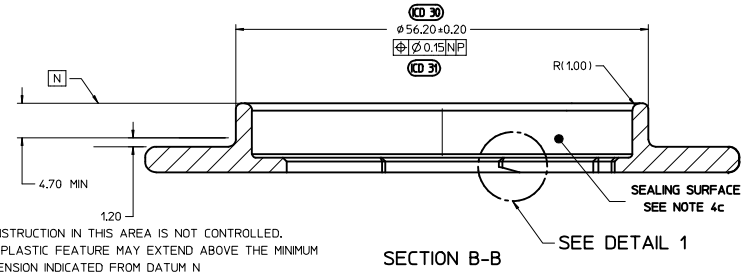


SECTION A-A

APPLIES TO AREA WITHIN ZONE A ONLY



DETAIL 2 SCALE 5:1



SECTION B-B

CONSTRUCTION IN THIS AREA IS NOT CONTROLLED. NO PLASTIC FEATURE MAY EXTEND ABOVE THE MINIMUM DIMENSION INDICATED FROM DATUM N

SEE DETAIL 1

SEE REV. COLUMN ELEC NG: UAU2013-0858 DRAWN/DLCK CHKD: APPR:VKOSHY 2012/10/10 2012/12/14	QUALITY SYMBOLS	GENERAL TOLERANCES (UNLESS SPECIFIED)	DIMENSION STYLE	SCALE	DESIGN UNITS	THIRD ANGLE PROJECTION
	▽=0	4 PLACES ± mm ± INCH	MM ONLY	3:1	METRIC	☉
	▽=0	3 PLACES ± 0.10 ± 0.004				
	▽=0	2 PLACES ± 0.20 ± 0.008				
		ANGULAR ± 3°				
	DRAFT WHERE APPLICABLE MUST REMAIN WITHIN DIMENSIONS		MATERIAL NO.	DOCUMENT NO.		
			N/A	SD-34840-001		
			SIZE D	THIS DRAWING CONTAINS INFORMATION THAT IS PROPRIETARY TO MOLEX INCORPORATED AND SHOULD NOT BE USED WITHOUT WRITTEN PERMISSION		

MOLEX INCORPORATED

MX150 DUAL ROW BULKHEAD TWIST-LOCK CONNECTOR ASSEMBLY

SHEET NO. 9 OF 9