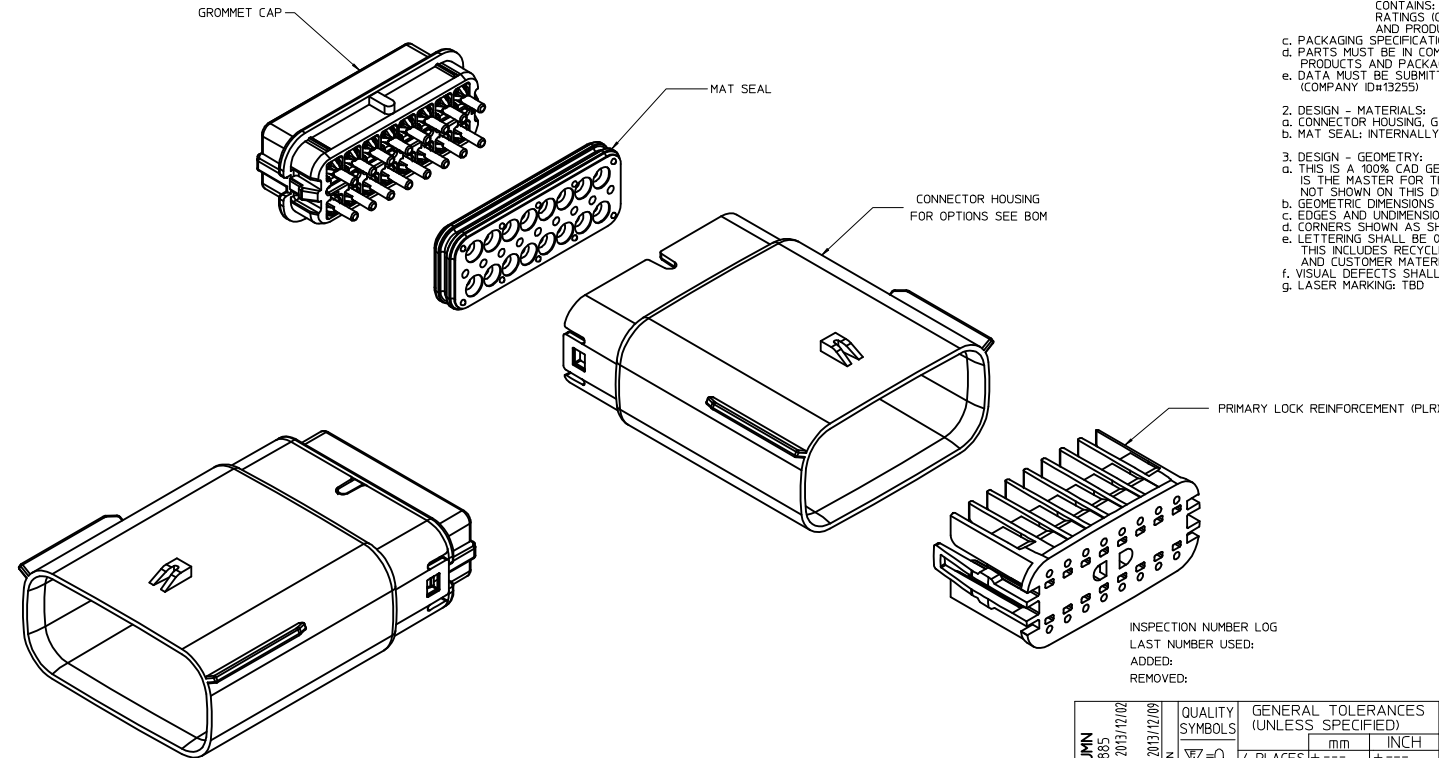


TABLE OF CONTENTS	
SHEET NO.	SHEET DESCRIPTION
1	NOTES
2	KEY CONFIGURATIONS
3	BLADE SEALED ASSEMBLY
4	SYSTEM PACKAGING
5-7	BOM



NOTES: VALID UNLESS OTHERWISE SPECIFIED

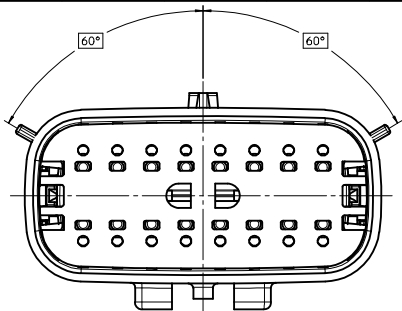
1. GENERAL:
 - a. APPLICATION SPECIFICATION SEE: AS-33472-100
CONTAINS: PRODUCT INTRODUCTION, PRODUCT SUMMARY, CONNECTOR ASSEMBLY, PACKAGING INFORMATION, CONNECTOR MATING, SERVICE INSTRUCTIONS, ELECTRICAL CONTINUITY CHECKING, CRIMPING, AND TROUBLESHOOTING
-DESIGNED TO MATE WITH RECEPTACLE SEALED ASSEMBLY SPECIFIED IN MOLEX DRAWING SD-33472-161
-FOR 1.5mm BLADE TERMINALS TO BE USED WITH THIS ASSEMBLY SEE MOLEX DRAWING SD-33000-001
- SYSTEM TO BE USED WITH WIRE WITHIN DIAMETER RANGE OF 1.2mm TO 2.69mm.
-ASSEMBLY SHIPPED WITH PLR IN PRE-LOCK POSITION
-IN THE EVENT THAT THE PLR IS FOUND IN THE SEATED (FINAL LOCK) POSITION, REFER TO MOLEX SPECIFICATION PS-34646-001, AVAILABLE AT www.molex.com <<http://www.molex.com>>
-ASSEMBLY CONFORMS TO SAE/J596-2 REV.4 WITH THE FOLLOWING EXCEPTIONS: TERMINAL INSERTION FORCE FOR WIRE DIAMETER ABOVE 2.5mm NOT EXCEEDING 2.69mm SHALL NOT EXCEED 45 NEWTONS.
 - b. PRODUCT SPECIFICATION SEE: PS-33472-000
CONTAINS: PRODUCT INTRODUCTION, PRODUCT SUMMARY, RATINGS (CURRENT, TEMPERATURE, SEALING, AND FLAMMABILITY), AND PRODUCT VALIDATION.
 - c. PACKAGING SPECIFICATION PER MOLEX DRAWING: PK-31300-635
 - d. PARTS MUST BE IN COMPLIANCE TO MOLEX CHEMICAL SUBSTANCES FOR PRODUCTS AND PACKAGING SPECIFICATION: ES-40000-5016
 - e. DATA MUST BE SUBMITTED UNDER THE MOLEX PART NUMBER TO IMDS (COMPANY ID#13255)
2. DESIGN - MATERIALS:
 - a. CONNECTOR HOUSING, GROMMET CAP, PLR: SPS/NYLON 20% GLASS FILLED
 - b. MAT SEAL: INTERNALLY LUBRICATED SILICONE
3. DESIGN - GEOMETRY:
 - a. THIS IS A 100% CAD GENERATED PART. THE CAD MATHEMATICAL DATA IS THE MASTER FOR THIS PART. FOR DIMENSIONAL OR ANY INFORMATION NOT SHOWN ON THIS DRAWING, ANALYZE THE CAD MODEL.
 - b. GEOMETRIC DIMENSIONS AND TOLERANCES PER ASME Y14.5M - 1994
 - c. EDGES AND UNDIMENSIONED DETAILS PER ISO13715
 - d. CORNERS SHOWN AS SHARP TO BE R 0.2 MAX.
 - e. LETTERING SHALL BE 0.15 MAX RAISED IN 0.25 MAX RECESS PAD. THIS INCLUDES RECYCLING CODE, CAVITY ID, VENDOR IDENTIFICATION, AND CUSTOMER MATERIAL NUMBER
 - f. VISUAL DEFECTS SHALL MEET COSMETIC STANDARD PS-45499-002 (Class B)
 - g. LASER MARKING: TBD

AK	ADDED PIN OUT	33482-1760	33482-1761	33482-1762	33482-1763	33482-1764	33482-1765	33482-1766	33482-1767	33482-1768
AJ	ADDED PIN OUT	33482-1759								
AH	CHANGE PART NUMBER STATUS	ADDED PIN OUT	33482-1751	33482-1752	33482-1753	33482-1754	33482-1755	33482-1756	33482-1757	33482-1758
AG	ADDED PIN OUT	33482-1742	33482-1743	33482-1744	33482-1745	33482-1746	33482-1747	33482-1748	33482-1749	33482-1750
AF	ADDED PIN OUT	33482-1738	33482-1739	33482-1740	33482-1741					
AE	ADDED PIN OUT	33482-1735	33482-1736	33482-1737						
AD	ADDED PIN OUT	33482-1729	33482-1730	33482-1731	33482-1732	33482-1733	33482-1734			

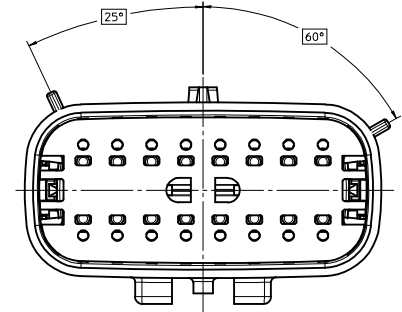
INSPECTION NUMBER LOG
LAST NUMBER USED:
ADDED:
REMOVED:

SEE REV. COLUMN IEC NO: UAU2014-0885 DRAWN BY: UAU2014-0885 CHKD: APPR: VKOSHY DATE: 2013/12/09 DESCRIPTION:	QUALITY SYMBOLS	GENERAL TOLERANCES (UNLESS SPECIFIED)	DIMENSION STYLE	SCALE	DESIGN UNITS	THIRD ANGLE PROJECTION	DRAWN BY: DATE DGR1FF1THS 05-29-03 CHECKED BY: DATE DGR1FF1THS 05-29-03 APPROVED BY: DATE VKOSHY 2010/04/06 MATERIAL NO: SEE BOM DOCUMENT NO: SD-33482-161 SHEET NO: 1 OF 7
	$\nabla=0$ $\nabla=0$ $\nabla=0$	4 PLACES ± --- INCH 3 PLACES ± --- INCH 2 PLACES ± 0.10 INCH 1 PLACE ± 0.3 INCH 0 PLACE ± INCH	MM ONLY 3:1 METRIC	DATE DATE	DATE DATE	MX150 2X8 BLADE SEALED ASSEMBLY MAT SEAL molex	
	ANGULAR ± 3 ° DRAFT WHERE APPLICABLE MUST REMAIN WITHIN DIMENSIONS	SIZE D	THIS DRAWING CONTAINS INFORMATION THAT IS PROPRIETARY TO MOLEX INCORPORATED AND SHOULD NOT BE USED WITHOUT WRITTEN PERMISSION				

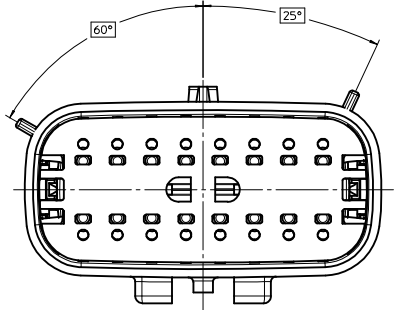
KEY CONFIGURATIONS



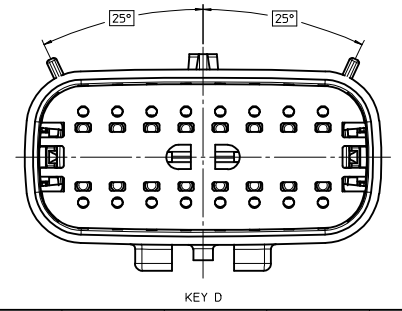
KEY A



KEY B



KEY C

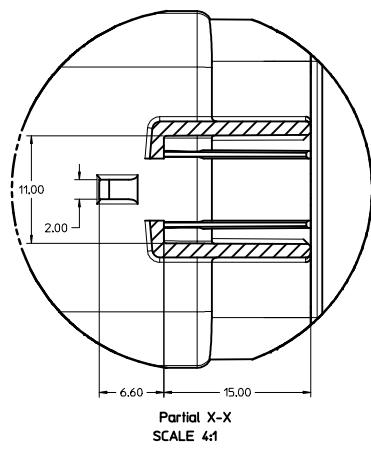
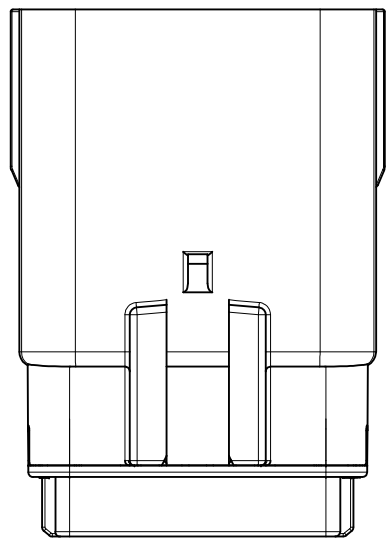
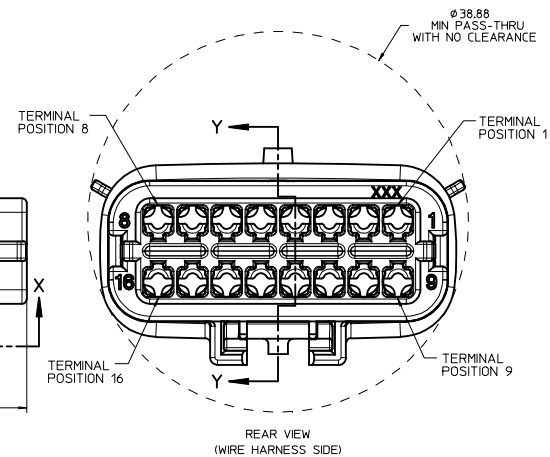
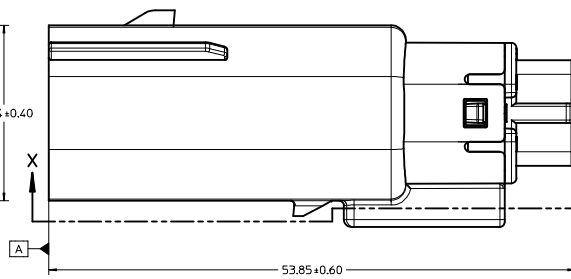
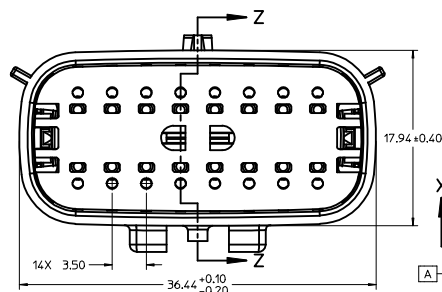
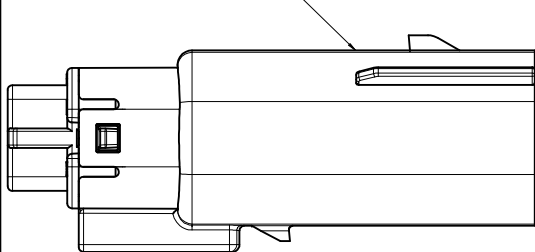


KEY D

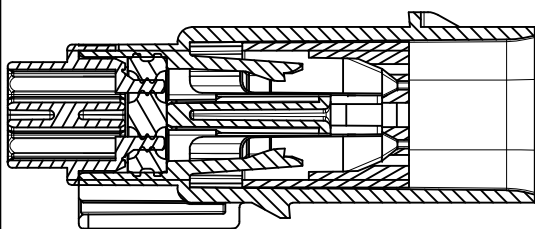
SEE REV. COLUMN IEC NO: UAU2014-0885 DRAWN BY: 2013/12/02 CHKD: AK APPR: VKOSHY 2013/12/09	QUALITY SYMBOLS ∇=0 ∇=0 ∇=0	GENERAL TOLERANCES (UNLESS SPECIFIED)		DIMENSION STYLE MM ONLY	SCALE 4:1	DESIGN UNITS METRIC	THIRD ANGLE PROJECTION
		4 PLACES ± mm ± INCH 3 PLACES ± --- ± --- 2 PLACES ± 0.10 ± --- 1 PLACE ± 0.3 ± --- 0 PLACE ± ±	DRAWN BY: DGRIFITHS CHECKED BY: DGRIFITHS APPROVED BY: VKOSHY DATE: 05-29-03 DATE: 05-29-03 DATE: 2010/04/06	MATERIAL NO. SEE BOM	TITLE MX150 2X8 BLADE SEALED ASSEMBLY MAT SEAL molex	DOCUMENT NO. SD-33482-161	SHEET NO. 2 OF 7
DRAFT WHERE APPLICABLE MUST REMAIN WITHIN DIMENSIONS		ANGULAR ± 3 °		THIS DRAWING CONTAINS INFORMATION THAT IS PROPRIETARY TO MOLEX INCORPORATED AND SHOULD NOT BE USED WITHOUT WRITTEN PERMISSION			

BLADE SEALED ASSEMBLY

OPTIONAL LASER MARKING ON THIS SURFACE SEE NOTE 3g.

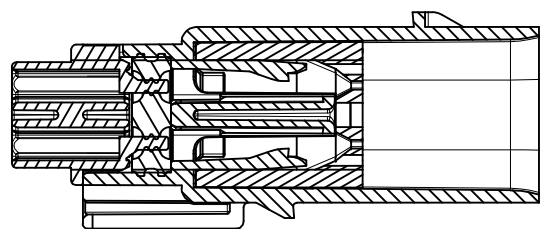


Partial X-X
SCALE 4:1



PRIMARY LOCK REINFORCEMENT (PLR) SHOWN IN PRE-STAGED POSITION

SECTION Z-Z

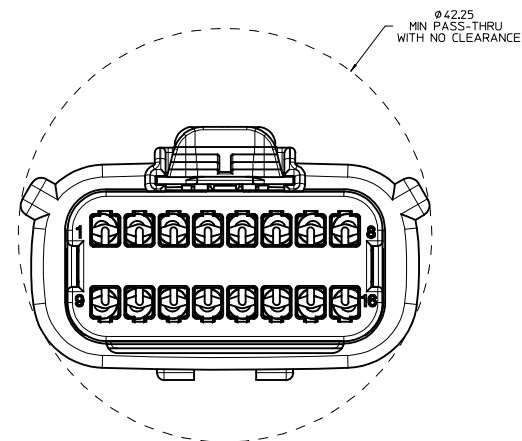
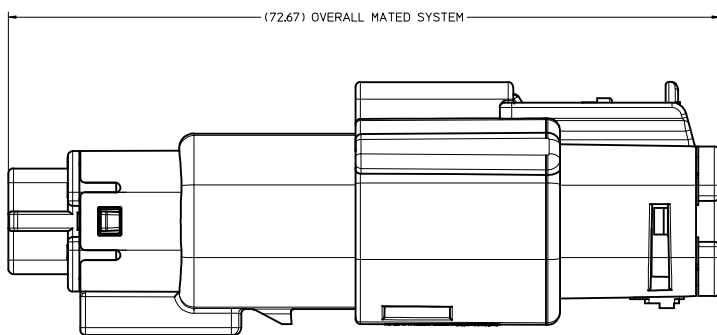


PRIMARY LOCK REINFORCEMENT (PLR) SHOWN IN FINAL-LOCK POSITION

SECTION Y-Y

SEE REV. COLUMN ELC NO: UAU2014-0885 DRAWN BY: AK CHKD: AK APPR: VKOSHY 2013/12/09 DESCRIPTION:	QUALITY SYMBOLS ∇=0 ∇=0 ∇=0		GENERAL TOLERANCES (UNLESS SPECIFIED) mm INCH 4 PLACES ± --- ± --- 3 PLACES ± --- ± --- 2 PLACES ± 0.10 ± --- 1 PLACE ± 0.3 ± --- 0 PLACE ± ±		DIMENSION STYLE MM ONLY		SCALE 4:1		DESIGN UNITS METRIC		THIRD ANGLE PROJECTION	
	DRAWN BY: DGRIFITHS DATE: 05-29-03		CHECKED BY: DGRIFITHS DATE: 05-29-03		APPROVED BY: VKOSHY DATE: 2010/04/06		MATERIAL NO. SEE BOM		DOCUMENT NO. SD-33482-161		SHEET NO. 3 OF 7	
	ANGULAR ± 3 °		DRAFT WHERE APPLICABLE MUST REMAIN WITHIN DIMENSIONS		SIZE D		THIS DRAWING CONTAINS INFORMATION THAT IS PROPRIETARY TO MOLEX INCORPORATED AND SHOULD NOT BE USED WITHOUT WRITTEN PERMISSION					
	TITLE MX150 2X8 BLADE SEALED ASSEMBLY MAT SEAL molex											

SYSTEM PACKAGING



SEE REV. COLUMN IEC NO: UAU2014-0885 DRAWN BY: 2013/12/02 CHKD: AK APPR: VKOSHY 2013/12/09 REV DESCRIPTION	QUALITY SYMBOLS ▽=0 ▽=0 ▽=0		GENERAL TOLERANCES (UNLESS SPECIFIED) mm INCH 4 PLACES ± --- ± --- 3 PLACES ± --- ± --- 2 PLACES ± 0.10 ± --- 1 PLACE ± 0.3 ± --- 0 PLACE ± ±		DIMENSION STYLE MM ONLY DRAWN BY DATE DGRIFFI THS 05-29-03 CHECKED BY DATE DGRIFFI THS 05-29-03 APPROVED BY DATE VKOSHY 2010/04/06		SCALE 4:1 DESIGN UNITS METRIC THIRD ANGLE PROJECTION		TITLE MX150 2X8 BLADE SEALED ASSEMBLY MAT SEAL molex		MATERIAL NO. SEE BOM DOCUMENT NO. SD-33482-161		SHEET NO. 4 OF 7	
	ANGULAR ± 3 ° DRAFT WHERE APPLICABLE MUST REMAIN WITHIN DIMENSIONS		SIZE D		THIS DRAWING CONTAINS INFORMATION THAT IS PROPRIETARY TO MOLEX INCORPORATED AND SHOULD NOT BE USED WITHOUT WRITTEN PERMISSION									

ASSEMBLY PART NUMBER	COLOR	KEYING OPTION	CAVITY TYPE & STATUS (X = PLUGGED)															
			1	2	3	4	5	6	7	8	9	10	11	12	13	14	15	16
33482-1651	LT.GRAY	B															X	
33482-1652	LT.GRAY	B						X	X	X							X	
33482-1653	BLACK	A									X						X	
33482-1654	BLACK	A				X				X			X					
33482-1655	LT.GRAY	B				X				X			X		X			
33482-1656	LT.GRAY	B								X						X		
33482-1657	BLACK	A	X						X									
33482-1658	LT.GRAY	B		X		X		X	X	X			X		X			
33482-1659	LT.GRAY	B		X				X	X	X						X		
33482-1660	LT.GRAY	B		X						X						X		
33482-1661	BLACK	A	X	X		X				X			X					
33482-1662	LT.GRAY	B		X		X				X			X		X			
33482-1663	BLACK	A	X						X									
33482-1664	BLACK	A			X				X		X					X	X	
33482-1665	BLACK	A			X	X	X	X	X	X	X	X				X	X	
33482-1666	BLACK	A	X	X		X	X	X	X	X				X	X	X	X	
33482-1667	BLACK	A	X			X	X			X			X	X	X	X	X	
33482-1668	BLACK	A	X			X	X			X	X			X	X	X	X	
33482-1669	BLACK	A	X			X				X				X	X			
33482-1670	BLACK	A	X		X	X	X	X	X	X	X	X	X	X	X	X	X	
33482-1671	BLACK	A	X		X	X	X	X	X	X	X	X	X	X	X	X	X	
33482-1672	BLACK	A			X				X									
33482-1673	BLACK	A	X					X	X	X								
33482-1674	BLACK	A	X				X	X										
33482-1675	BLACK	A	X			X	X					X						
33482-1676	BLACK	A				X	X	X	X				X		X			
33482-1677	BLACK	A				X	X	X	X			X		X				
33482-1678	BLACK	A				X	X	X	X			X		X	X	X		
33482-1679	BLACK	A				X	X	X	X			X	X	X	X	X		
33482-1680	BLACK	A				X	X	X	X			X	X	X	X	X		
33482-1681	BLACK	A						X								X		
33482-1682	BLACK	A				X	X	X								X	X	
33482-1683	BLACK	A				X	X	X	X							X	X	
33482-1684	BLACK	A	X	X	X	X	X	X	X	X				X		X	X	
33482-1685	BLACK	A													X	X	X	X
33482-1686	BLACK	A							X						X	X	X	X
33482-1687	BLACK	A						X	X				X	X	X	X	X	
33482-1688	BLACK	A						X	X				X	X	X	X	X	
33482-1689	BLACK	A						X	X				X		X			
33482-1690	BLACK	A						X	X				X		X			
33482-1691	BLACK	A				X							X		X			
33482-1692	BLACK	A	X							X	X					X	X	
33482-1693	BLACK	A	X							X						X		
33482-1694	BLACK	A	X			X	X	X	X	X	X	X	X		X	X	X	
33482-1695	BLACK	A	X			X	X	X	X	X	X	X	X		X	X	X	
33482-1700	BLACK	A	X	X	X	X	X	X	X	X	X	X	X	X	X	X	X	
33482-1701	BLACK	A	X	X	X	X	X	X	X	X	X	X	X	X	X	X	X	
33482-1702	BLACK	A						X	X	X	X	X	X	X	X	X	X	
33482-1703	BLACK	A						X	X	X	X	X	X	X	X	X	X	
33482-1704	BLACK	A	X	X	X	X	X	X	X	X	X	X	X	X	X	X	X	
33482-1705	BLACK	A								X	X	X	X	X	X	X	X	
33482-1706	BLACK	A								X	X	X	X	X	X	X	X	
33482-1707	BLACK	A						X	X	X	X							
33482-1708	BLACK	A													X	X	X	
33482-1709	BLACK	A											X	X	X	X	X	
33482-1710	BLACK	A	X	X	X	X	X	X	X	X	X	X	X	X	X	X	X	
33482-1711	LT.GRAY	B	X	X	X	X	X	X	X	X	X	X	X	X	X	X	X	
33482-1712	LT.GRAY	B	X	X	X	X	X	X	X	X	X	X	X	X	X	X	X	

SEE REV. COLUMN EEC NO: UAU2014-0885 DRAWN BY: AK CHKD: APPR: IKOSHY 2013/12/02 2013/12/09	QUALITY SYMBOLS	GENERAL TOLERANCES (UNLESS SPECIFIED)	DIMENSION STYLE	SCALE	DESIGN UNITS	THIRD ANGLE PROJECTION
	▽=0	4 PLACES ± mm	MM ONLY	DRAWN BY DATE	METRIC	MX150 2X8 BLADE SEALED ASSEMBLY MAT SEAL molex MATERIAL NO. SD-33482-161 DOCUMENT NO. 6 OF 7
	▽=0	3 PLACES ± 0.10	DRAFT WHERE APPLICABLE	CHECKED BY DATE		
	▽=0	2 PLACES ± 0.3	MUST REMAIN WITHIN DIMENSIONS	APPROVED BY DATE		
	1 PLACE ±		VKOSHY 2010/04/06			

ASSEMBLY PART NUMBER	COLOR	KEYING OPTION	CAVITY TYPE & STATUS (X = PLUGGED)															
			1	2	3	4	5	6	7	8	9	10	11	12	13	14	15	16
33482-1713	BLACK	A		X	X	X					X	X				X	X	
33482-1714	BLACK	A		X	X	X	X	X	X	X	X	X		X		X	X	
33482-1715	BLACK	A	X	X	X	X			X	X	X	X	X			X	X	
33482-1716	BLACK	A	X	X	X	X			X	X	X	X	X				X	
33482-1717	BLACK	A	X	X	X	X	X	X	X	X	X			X	X	X	X	
33482-1718	BLACK	A												X	X	X	X	
33482-1719	BLACK	A	X				X	X	X		X	X			X	X	X	
33482-1720	BLACK	A											X		X			
33482-1721	LT.GRAY	B				X		X	X	X			X	X	X	X		
33482-1722	LT.GRAY	B	X	X	X	X		X	X	X	X	X	X	X	X	X	X	
33482-1723	BLACK	A	X	X	X	X	X	X			X			X	X	X	X	
33482-1724	BLACK	A									X				X	X	X	
33482-1725	DK.GRAY	C																
33482-1726	ST.GRAY	D																
33482-1727	DK.GRAY	C	X	X	X	X	X	X	X	X	X	X	X	X	X	X	X	
33482-1728	ST.GRAY	D	X	X	X	X	X	X	X	X	X	X	X	X	X	X	X	
33482-1729	BLACK	A							X	X	X	X	X	X	X	X	X	
33482-1730	BLACK	A				X	X	X	X	X	X	X	X	X	X	X	X	
33482-1731	BLACK	A								X	X	X	X	X	X	X	X	
33482-1732	LT.GRAY	B					X	X	X			X						
33482-1733	LT.GRAY	B	X	X	X	X	X	X		X	X	X	X	X	X	X	X	
33482-1734	LT.GRAY	B						X		X	X	X	X	X	X	X	X	
33482-1735	BLACK	A					X			X	X	X	X	X	X	X	X	
33482-1736	BLACK	A	X	X	X	X	X	X						X	X			
33482-1737	BLACK	A	X	X	X	X	X	X			X	X	X	X	X	X	X	
33482-1738	BLACK	A	X	X			X	X	X									
33482-1739	BLACK	A			X	X					X	X						
33482-1740	BLACK	A								X				X	X	X	X	
33482-1741	BLACK	A			X	X				X	X	X	X	X	X	X	X	
33482-1742	BLACK	A									X	X	X	X	X	X	X	
33482-1743	BLACK	A									X			X				
33482-1744	BLACK	A		X				X		X	X	X	X	X	X	X	X	
33482-1745	BLACK	A		X					X		X	X	X	X	X	X	X	
33482-1746	BLACK	A		X					X									
33482-1747	BLACK	A									X	X	X	X	X	X	X	
33482-1748	BLACK	A		X					X					X	X	X	X	
33482-1749	BLACK	A	X							X	X	X	X	X	X	X	X	
33482-1750	BLACK	A	X	X						X	X	X	X	X	X	X	X	
33482-1751	DK.GRAY	C							X									
33482-1752	ST.GRAY	D							X									
33482-1753	DK.GRAY	C							X	X								
33482-1754	ST.GRAY	D							X	X								
33482-1755	DK.GRAY	C	X						X	X								
33482-1756	ST.GRAY	D	X						X	X								
33482-1757	DK.GRAY	C	X						X	X						X		
33482-1758	ST.GRAY	D	X						X	X						X		
33482-1759	BLACK	A	X	X	X	X	X		X	X	X	X	X	X	X	X	X	
AK 33482-1760	BLACK	A		X				X		X							X	
AK 33482-1761	BLACK	A		X				X		X							X	
AK 33482-1762	BLACK	A	X	X				X		X	X	X	X	X	X	X	X	
AK 33482-1763	BLACK	A						X		X							X	
AK 33482-1764	BLACK	A					X	X	X	X		X	X	X	X	X	X	
AK 33482-1765	BLACK	A	X					X	X	X	X	X	X	X	X	X	X	
AK 33482-1766	BLACK	A					X	X	X	X	X	X	X	X	X	X	X	
AK 33482-1767	BLACK	A					X	X	X	X	X	X	X	X	X	X	X	
AK 33482-1768	BLACK	A					X	X	X	X	X	X	X	X	X	X	X	

SEE REV. COLUMN IEC NO: UAU2014-0885 DRAWN BY: AK CHECKED: AK APPR: VKOSHY 2013/12/02 2013/12/09	QUALITY SYMBOLS	GENERAL TOLERANCES (UNLESS SPECIFIED)	DIMENSION STYLE	SCALE	DESIGN UNITS	THIRD ANGLE PROJECTION	
	∇=0 ∇=0 ∇=0	4 PLACES ± .001 INCH 3 PLACES ± .010 INCH 2 PLACES ± 0.10 INCH 1 PLACE ± 0.3 INCH 0 PLACE ± INCH	MM ONLY	DRAWN BY: DGR IFFITHS DATE: 05-29-03 CHECKED BY: DGR IFFITHS DATE: 05-29-03 APPROVED BY: VKOSHY DATE: 2010/04/06		METRIC	MX150 2X8 BLADE SEALED ASSEMBLY MAT SEAL
	ANGULAR ± 3 ° DRAFT WHERE APPLICABLE MUST REMAIN WITHIN DIMENSIONS	MATERIAL NO. SEE BOM	DOCUMENT NO. SD-33482-161	SHEET NO. 7 OF 7			
	THIS DRAWING CONTAINS INFORMATION THAT IS PROPRIETARY TO MOLEX INCORPORATED AND SHOULD NOT BE USED WITHOUT WRITTEN PERMISSION						