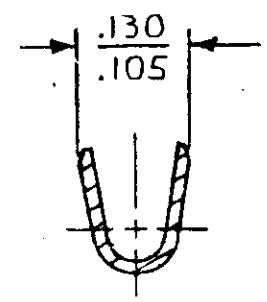
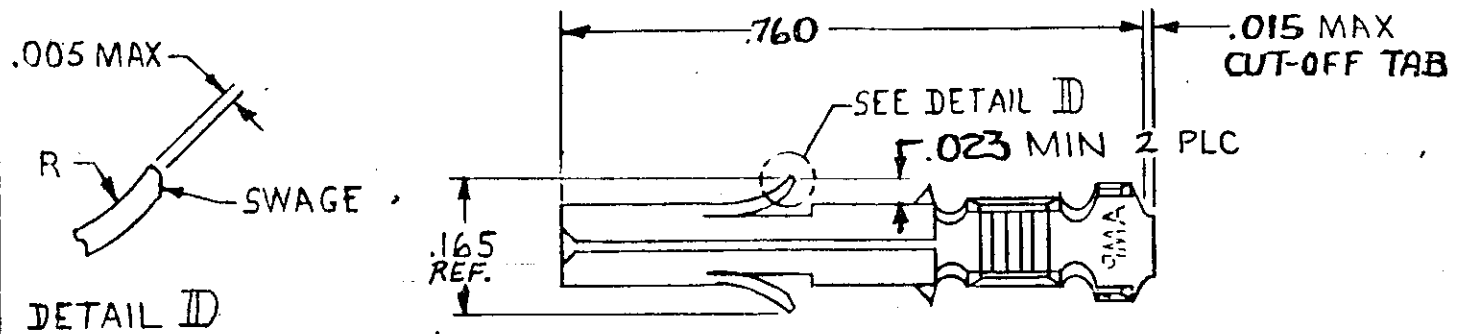
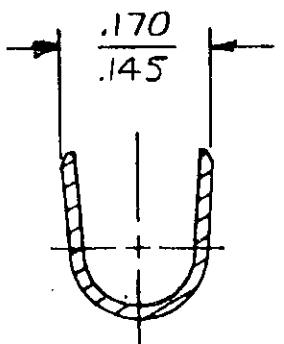
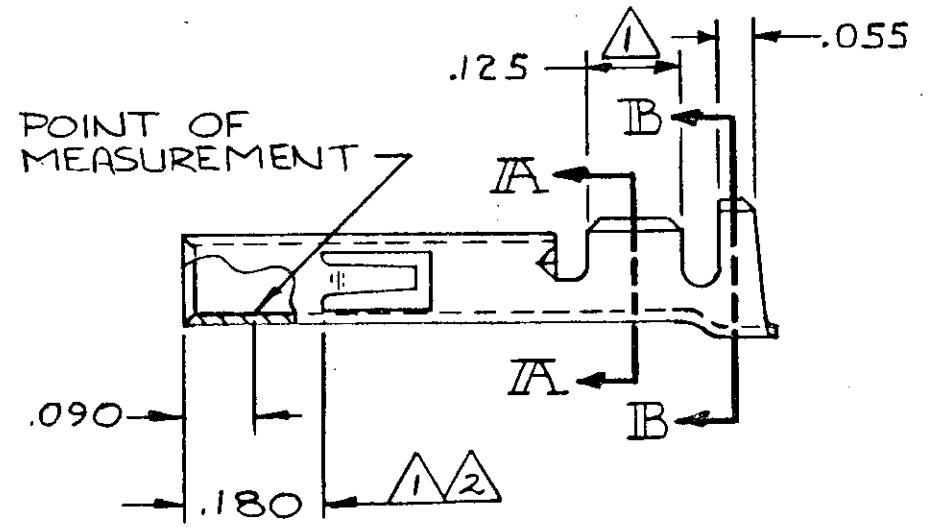


© COPYRIGHT

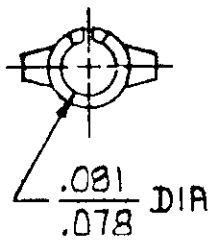
REVISIONS						
P	F	ZONE	LTR	DESCRIPTION	DATE	APPROVED
			S	REVISED PER ECR-12-013323	10AUG12	TM



SECTION A-A



SECTION B-B



- ① .000030 THICK GOLD OVER NICKEL ON INSIDE OF RECEPTACLE AND WIRE BARREL; REMAINDER OF CONTACT IS NICKEL PLATED.
- ② .000030 THICK GOLD OVER NICKEL ON INSIDE OF RECEPTACLE; REMAINDER OF CONTACT IS NICKEL PLATED.
- ③ INSULATION RANGE: .060-.130 DIA

GOLD	②	.012 BRASS	350550-7
		.012 PH. BRZ	350550-6
PRE-TIN		.012 PH. BRZ	350550-3
GOLD	①	.012 BRASS	350550-2
PRE-TIN			350550-1
FINISH		MATERIAL	PART NO

UNLESS OTHERWISE SPECIFIED DIMENSIONS ARE IN INCHES. TOLERANCES ON: DECIMALS ±.015 ANGLES ±	CONTRACT NO		TE Connectivity		
	DR m. Feher 4-21-81				
WIRE RANGE 20-14- AWG	CHK D.S. Heide 6/9/81		NAME SOCKET, (LOOSE PIECE) UNIVERSAL MATE-N-LOK		
	APPD P. Polachuk 6-10-81				
INSULATION RANGE ③	DSGN APPD		SIZE B	CODE IDENT NO 00779	DRAWING NO 350550
	OTHER APPD		SCALE 4-1		SHEET -1-