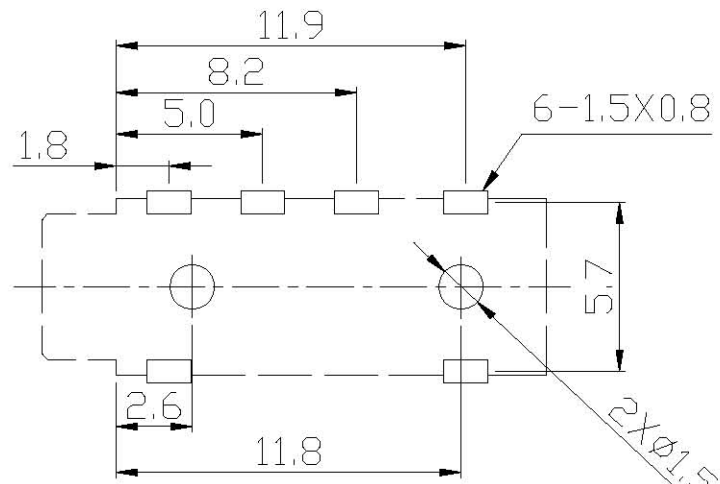
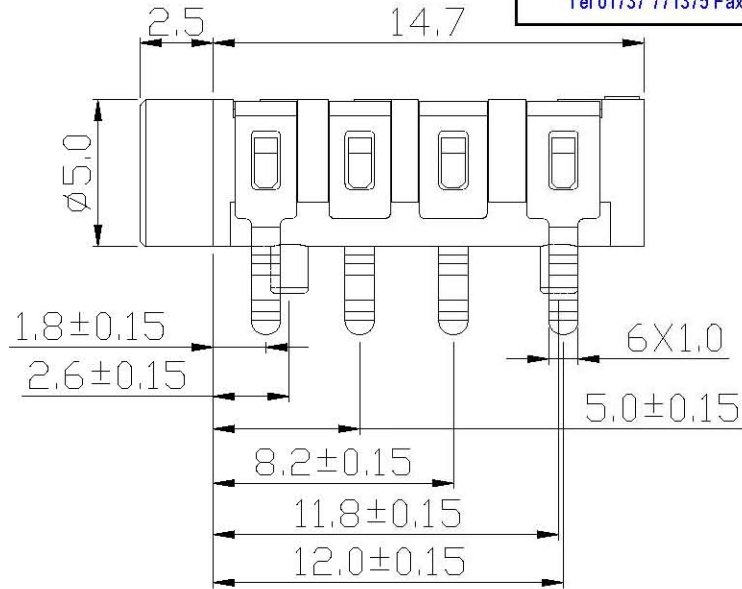
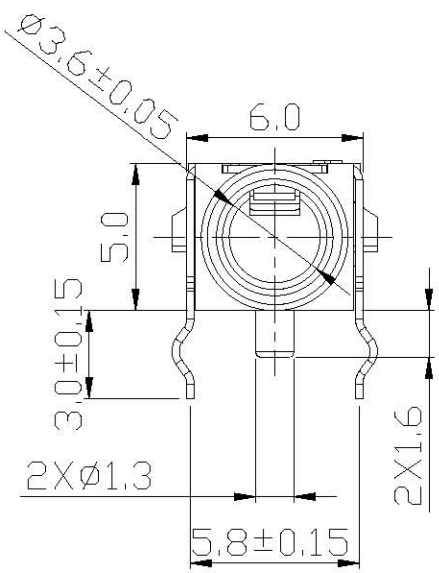
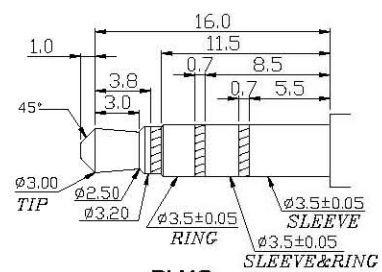


RoHS
Compliant



PCB LAYOUT TOP VIEW



PLUG
SCALE 8 : 1

PART NO.	FC68128
SCHEMATIC	

5	SLEEVE	1	PHOSPHOR BRONZE	Ag
4	TIP	1	PHOSPHOR BRONZE	Ag
3	RING	1	PHOSPHOR BRONZE	Ag
2	RING SHUNT	1	PHOSPHOR BRONZE	Ag
1	HOUSING	1	PBT	BLACK
NO	PART NAME	Q'TY	MATERIAL	PLATING & COLOR

UNLESS OTHERWISE SPECIFIED TOLERANCES		PART NAME			3.5mm PHONE JACK			ISSUE 1 27/09/11	
DECIMALS :		MATERIAL		SCALE :		SIZE :		UNIT :	
X : ±0.50		/		4 : 1		A4		mm	
X.X : ±0.30		THICKNESS		REV :		A		SHEET :	
X.XX : ±0.15		/		A		1 of 1		/	
ANGLES :		PLATED COLOR		/		/		/	
X° : ±5°		/		/		/		/	
X.X° : ±3°		/		/		/		/	