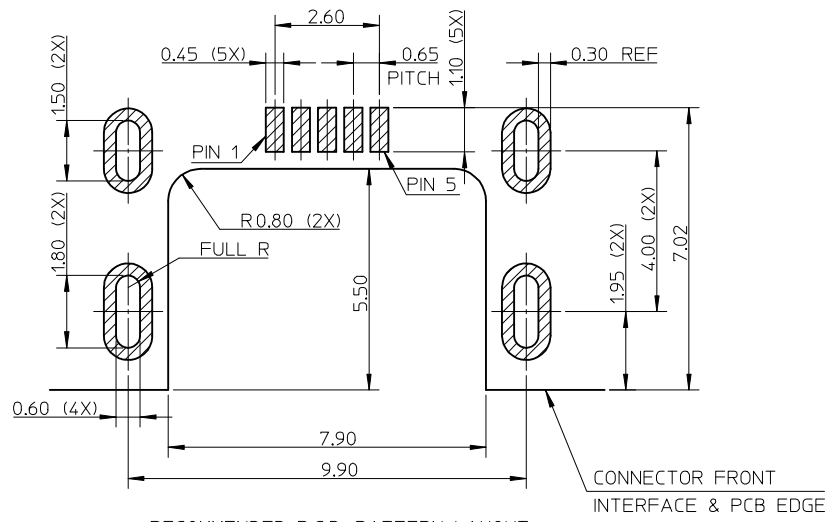
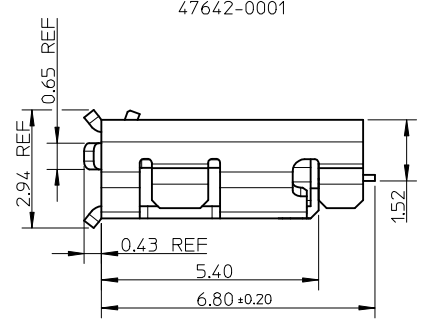
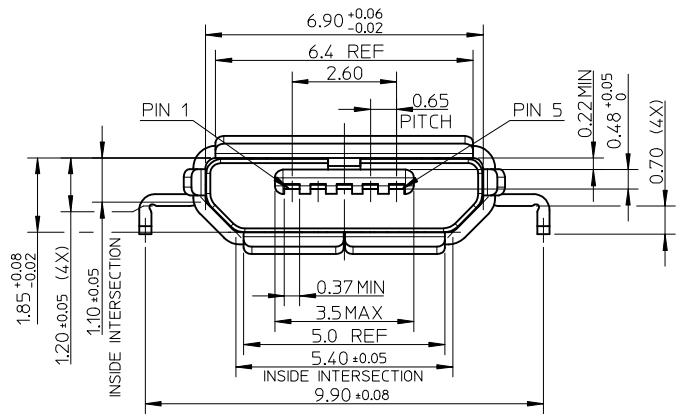
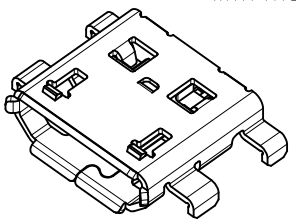
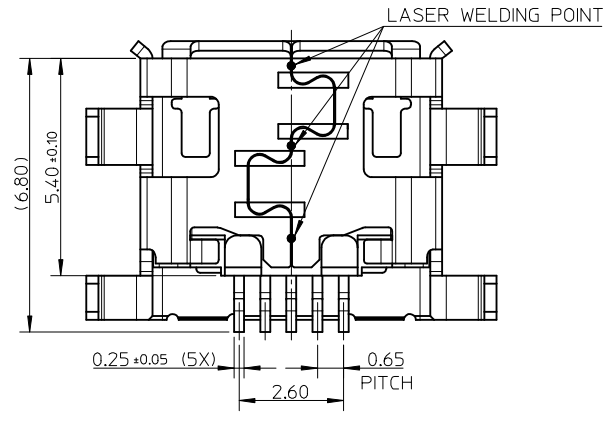


- NOTES:
- MATERIAL:  
HOUSING: LCP, BLACK, UL94V-0;  
TERMINAL: COPPER ALLOY, THICKNESS: 0.15mm;  
SHELL: STAINLESS STEEL, THICKNESS: 0.30mm.
  - PLATING:  
TERMINAL:  
CONTACT AREA: GOLD FLASH OVER 0.75 MICRON MINIMUM Pd/Ni;  
SOLDER TAIL AREA: GOLD FLASH;  
UNDER PLATING: NICKEL 2.0 MICRON MINIMUM.  
SHELL:  
MATTE TIN 2.0 MICRON MINIMUM;  
UNDER PLATING: NICKEL 1.27 MICRON MINIMUM.
  - TAIL & NAIL COPLANARITY 0.08mm MAXIMUM.
  - PRODUCT SPECIFICATION: PS-47642-001.
  - PACKAGE SPECIFICATION: PK-47642-001.
  - PRODUCT COMPLIANT TO RoHS DIRECTIVE 2002/95/EC AND ELV DIRECTIVE 2000/53/EC.



47642-0011	WITH
47642-0001	WITHOUT
PART NUMBER	MYLAR

RECOMMENDED P.C.B. PATTERN LAYOUT  
GENERAL TOLERANCE: ±0.05



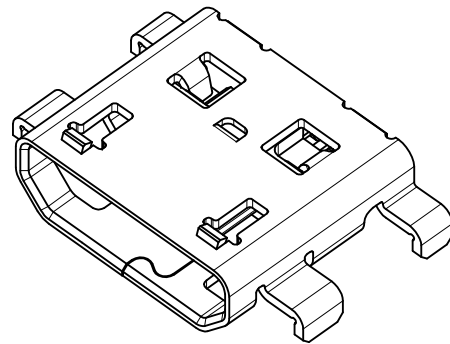
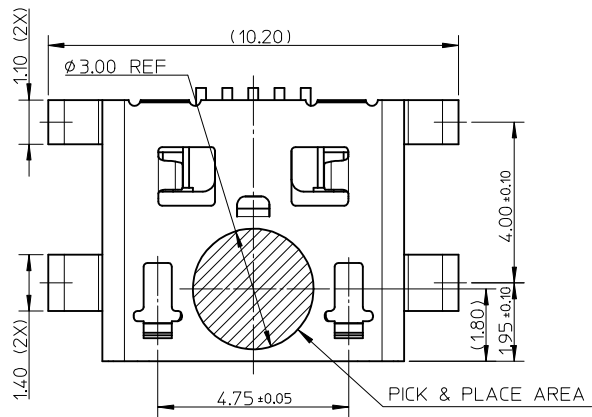
REVISED EC NO: SH2014-0260 DRWN:XZHZHANG 2013/12/23 CHKD:XZHZHANG 2013/12/23 APPR:AYTIN 2014/02/11	QUALITY SYMBOLS $F_A=0$ $F_B=0$ $F_C=0$	GENERAL TOLERANCES (UNLESS SPECIFIED)		DIMENSION STYLE MM ONLY		SCALE 1:1	DESIGN UNITS METRIC	THIRD ANGLE PROJECTION	
		4 PLACES ± --- ± ---	mm INCH	DRAWN BY XJSONG	DATE 2008/01/04	TITLE MICRO USB B REC. MID MOUNT THROUGH HOLE ASS'Y			
		3 PLACES ± --- ± ---		CHECKED BY JTIAN	DATE 2008/01/04	molex			
		2 PLACES ± 0.25 ± ---		APPROVED BY HWANG	DATE 2008/01/04				
		1 PLACE ± 0.25 ± ---		MATERIAL NO. SEE TABLE	DOCUMENT NO. SD-47642-001	SHEET NO. 1 OF 2			
		0 PLACE ± --- ± ---		THIS DRAWING CONTAINS INFORMATION THAT IS PROPRIETARY TO MOLEX INCORPORATED AND SHOULD NOT BE USED WITHOUT WRITTEN PERMISSION					
DRAFT WHERE APPLICABLE MUST REMAIN WITHIN DIMENSIONS		ANGULAR ± 3 °							

F

F

E

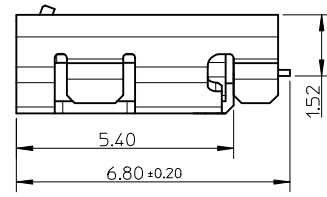
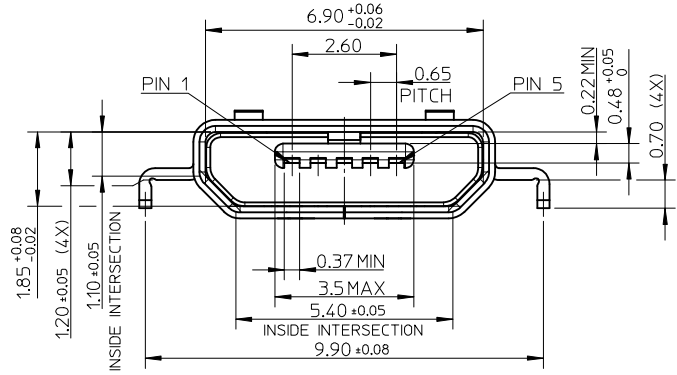
E



47642-1001

D

D

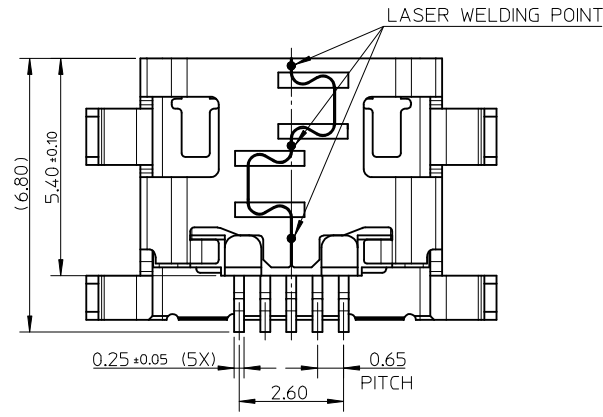


C

C

B

B



A

A

SEE SHEET 1 EC NO: SHZ014-0260 DRWN: XZZHANG 2013/12/23 CH'KD: XZZHANG 2013/12/23 APPR: AYIN 2014/02/11	QUALITY SYMBOLS $\nabla_{\text{F}} = 0$ $\nabla_{\text{E}} = 0$ $\nabla_{\text{B}} = 0$	GENERAL TOLERANCES (UNLESS SPECIFIED)		DIMENSION STYLE MM ONLY	SCALE 1:1	DESIGN UNITS METRIC	THIRD ANGLE PROJECTION		
		4 PLACES ± --- ± ---	mm INCH	DRAWN BY XJSONG	DATE 2008/01/04	TITLE MICRO USB B REC. MID MOUNT THROUGH HOLE ASS'Y FLANGELESS TYPE			
		3 PLACES ± --- ± ---	2 PLACES ± 0.25 ± ---	CHECKED BY JTIAN	DATE 2008/01/04				
		1 PLACE ± 0.25 ± ---	0 PLACE ± --- ± ---	APPROVED BY HWWANG	DATE 2008/01/04	MATERIAL NO. 47642-1001			
ANGULAR ± 3°		DRAFT WHERE APPLICABLE MUST REMAIN WITHIN DIMENSIONS		DOCUMENT NO. SD-47642-001	SHEET NO. 2 OF 2				