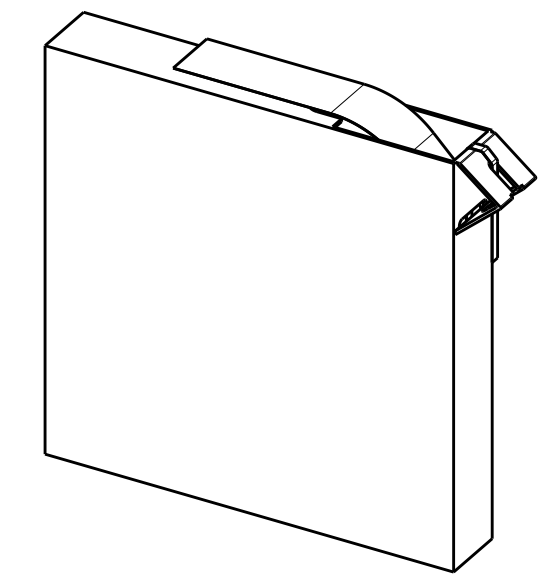
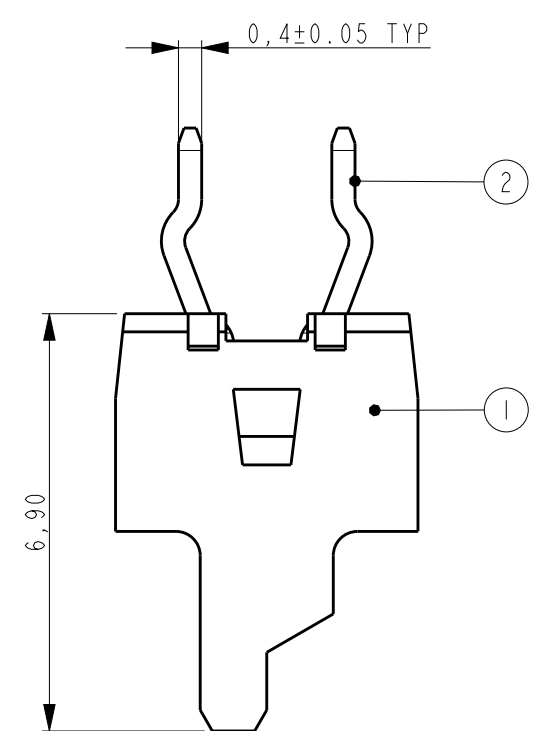
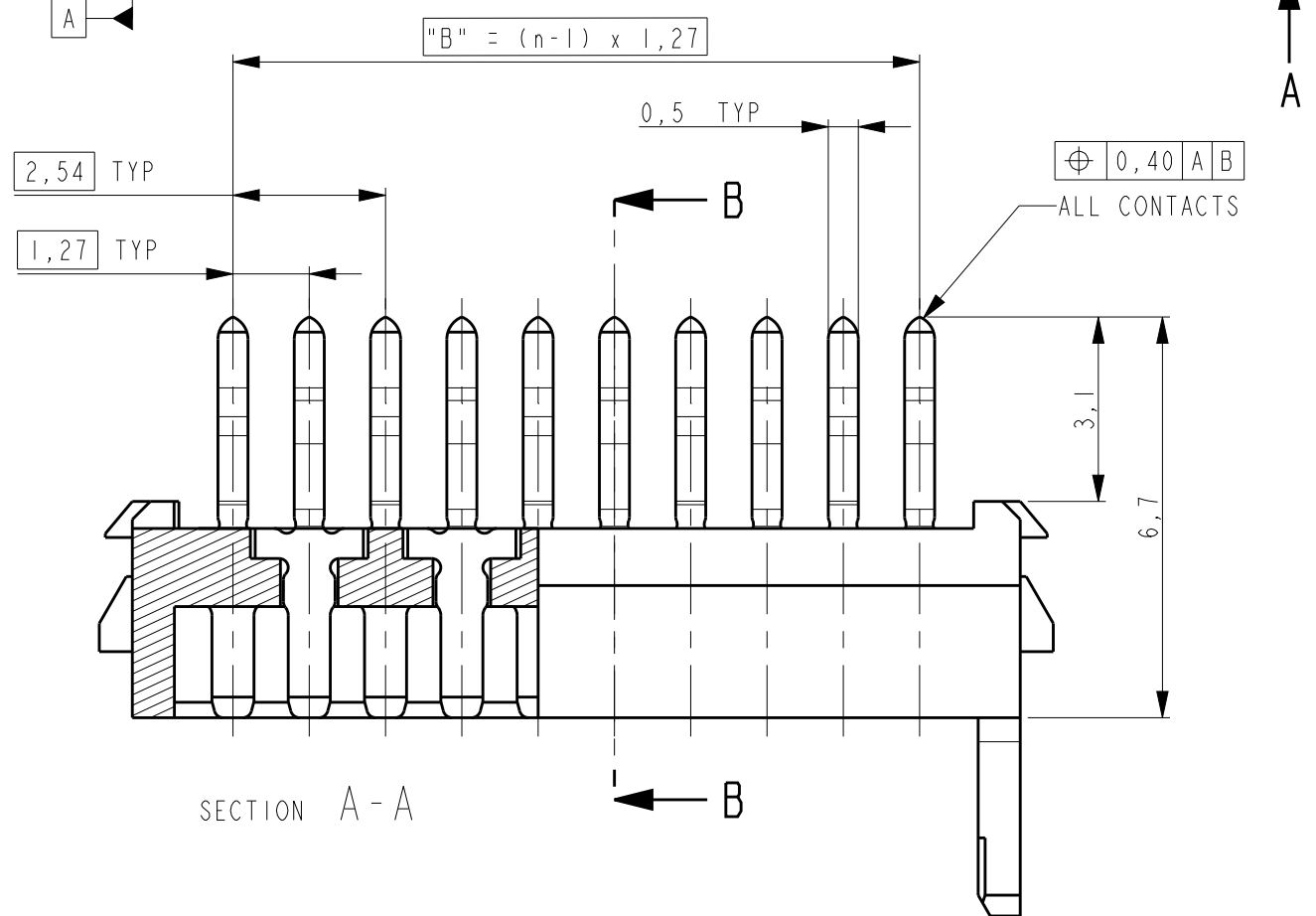
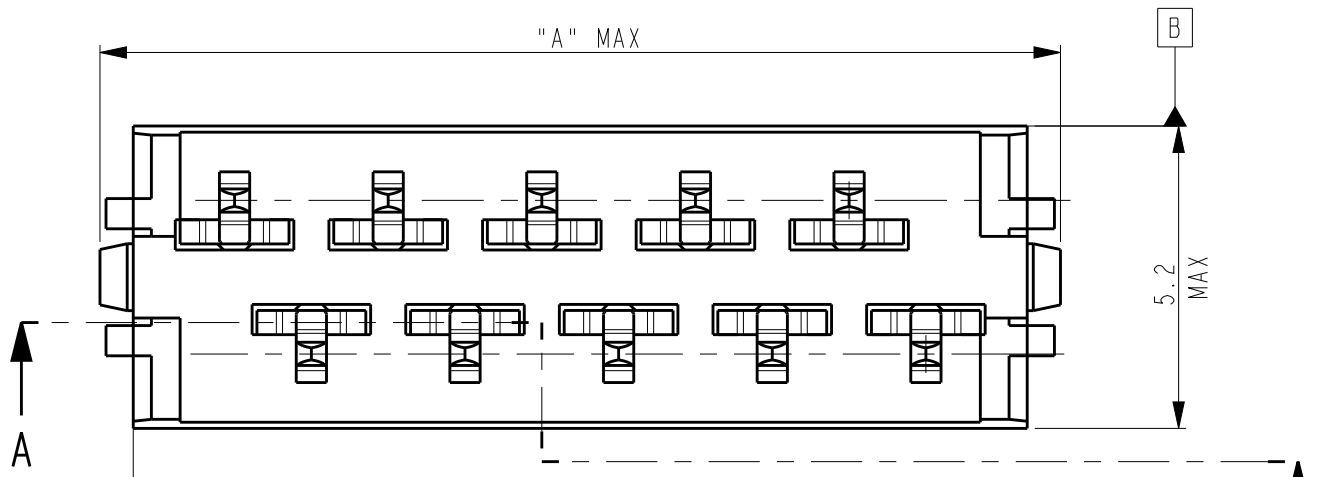


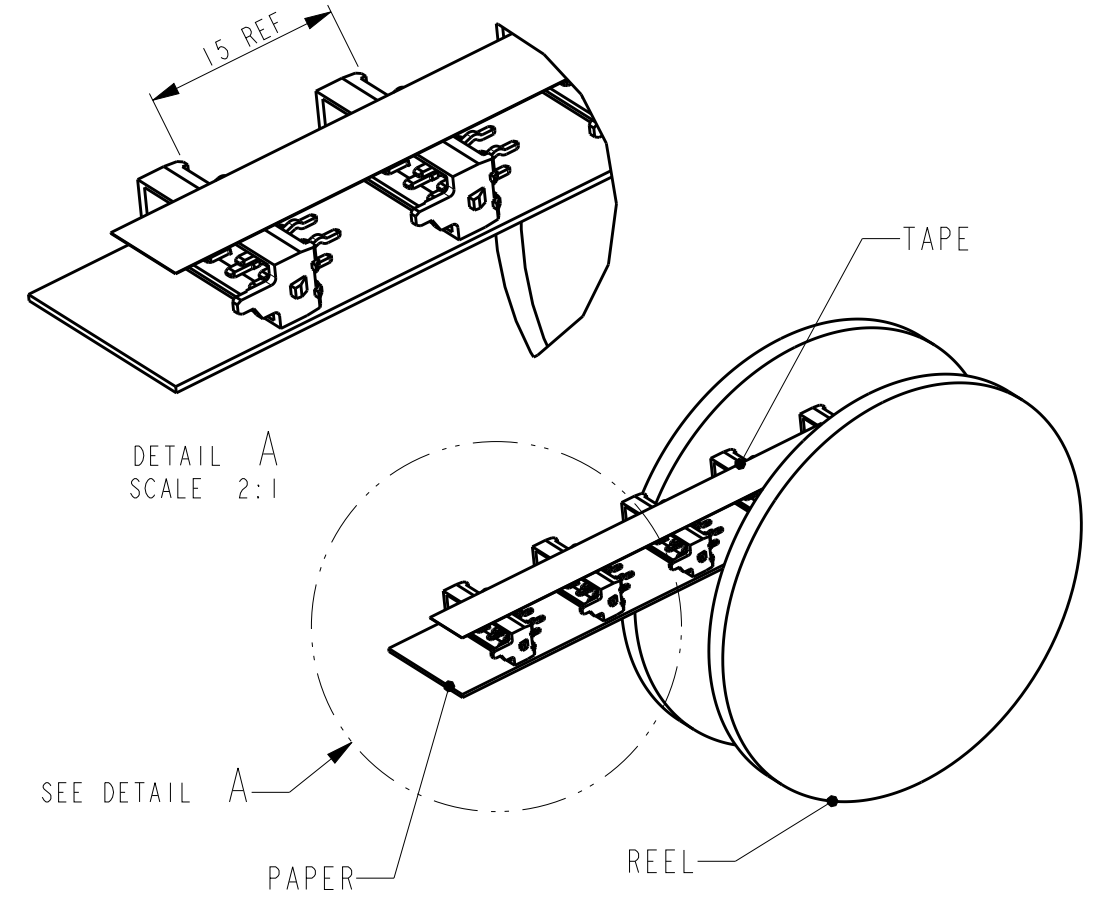
THIS DRAWING IS UNPUBLISHED. RELEASED FOR PUBLICATION  
 © COPYRIGHT - ALL RIGHTS RESERVED.

REVISIONS							
LOC	DIST	P	LTR	DESCRIPTION	DATE	DWN	APVD
H	-	N		CONTACT BASE MATERIAL CHANGED TO TIN BRASS	04 JUNE 2013	SMT	RP

PART NUMBER REEL PACKAGING	PART NUMBER BOX PACKAGING	NUMBER OF POSITIONS	"A" MAX	"B"
0-215464-4	7-215464-4	4	8.3	3.81
0-215464-6	7-215464-6	6	10.9	6.35
0-215464-8	7-215464-8	8	13.4	8.89
1-215464-0	8-215464-0	10	15.9	11.43
1-215464-2	8-215464-2	12	18.5	13.97
1-215464-4	8-215464-4	14	21.0	16.51
1-215464-6	8-215464-6	16	24.0	19.05
1-215464-8	8-215464-8	18	26.1	21.59
2-215464-0	9-215464-0	20	28.6	24.13



SCALE 3:10  
 BOX PACKAGING  
 250 PARTNUMBERS PER BOX  
 FOR ALL PARTNUMBERS.

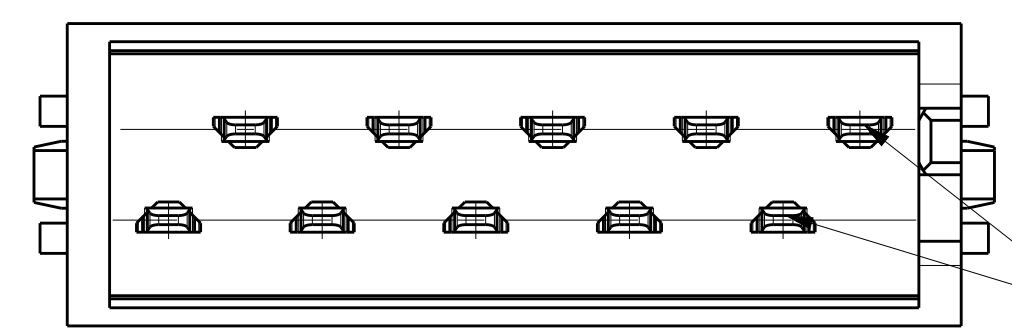


SECTION B-B

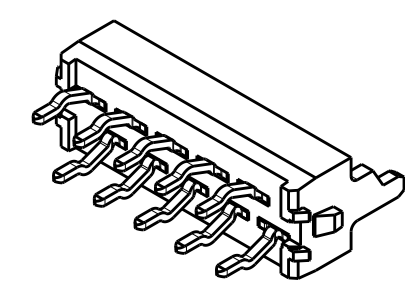
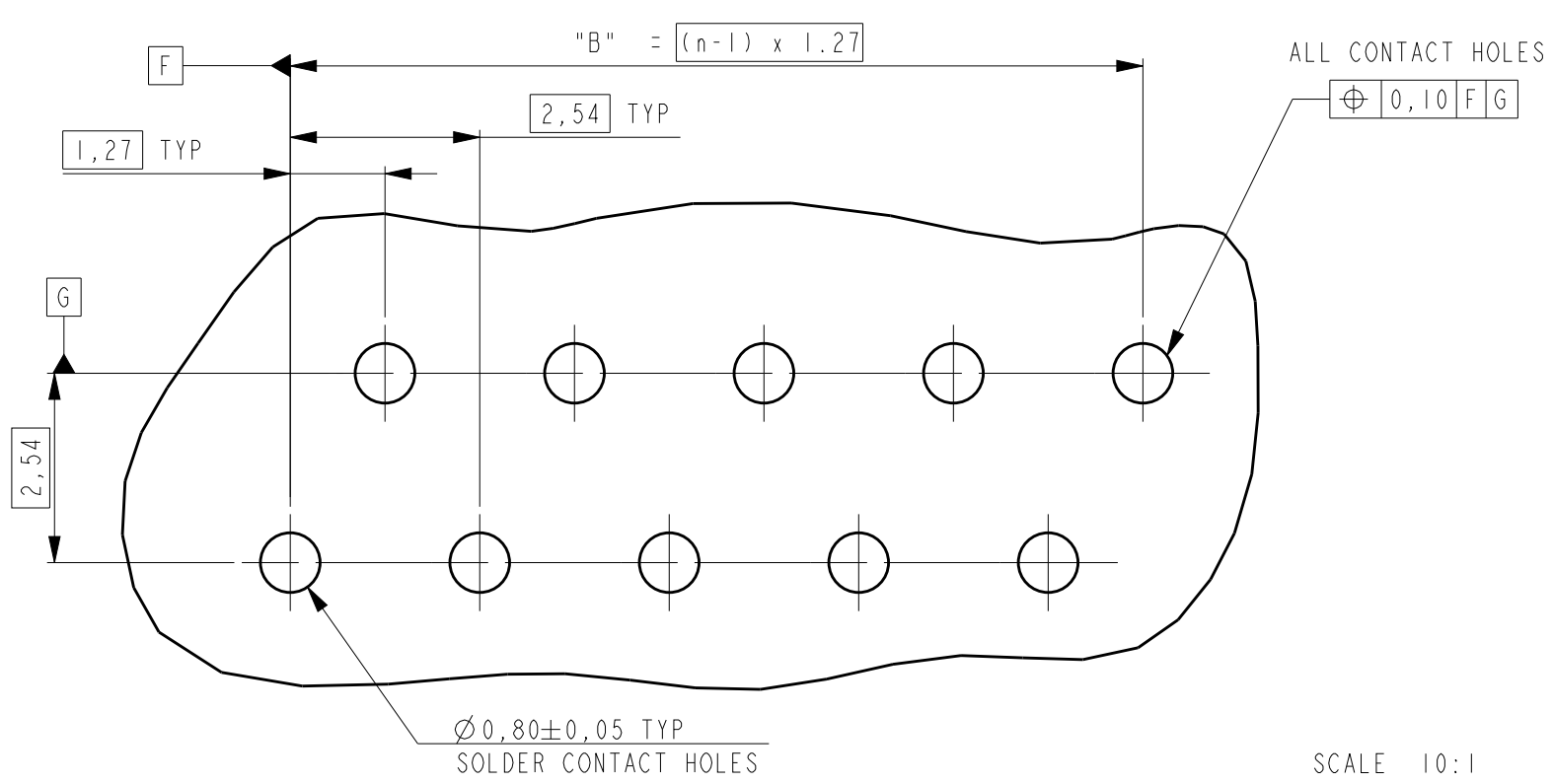
3-5 m Sn over 0,5 m min Ni

REEL PACKAGING  
 DEREELING DIRECTION AND CONNECTOR POSITION  
 2500 CONNECTORS PER REEL FOR ALL PART NUMBERS

2	MALE CONTACT	TIN BRASS	3-5 μm Sn over 0.5 μm min Ni
1	HOUSING	G.F POLYESTER, PBT	RED
ITEM NO.	DESCRIPTION	MATERIAL	FINISH / COLOR
DWN	15-04-1992	TE Connectivity	
CHK	J. VAN DREUMEL	NAME Micro-MaTch MALE-ON-BOARD LONG POST, POLARIZED	
APVD	H. KOKKEN	SIZE CAGE CODE DRAWING NO A2 00779 C-215464	
PRODUCT SPEC	108-19052	RESTRICTED TO	
APPLICATION SPEC		WEIGHT - SCALE 8:1 SHEET 1 OF 1 REV N	
CUSTOMER DRAWING			



PC-BOARD HOLE LAYOUT  
 (COMPONENT SIDE OF BOARD SHOWN)



SCALE 3:1

SHOWN IS A 10 POSITION  
 CONNECTOR (1-215464-0).

THIS DRAWING IS A CONTROLLED DOCUMENT.	
DIMENSIONS:	TOLERANCES UNLESS OTHERWISE SPECIFIED:
mm	0 PLC ±
	1 PLC ±0.1
	2 PLC ±0.20
	3 PLC ±
	4 PLC ±
	ANGLES ±
	FINISH ±
MATERIAL	SEE TABLE
	SEE TABLE