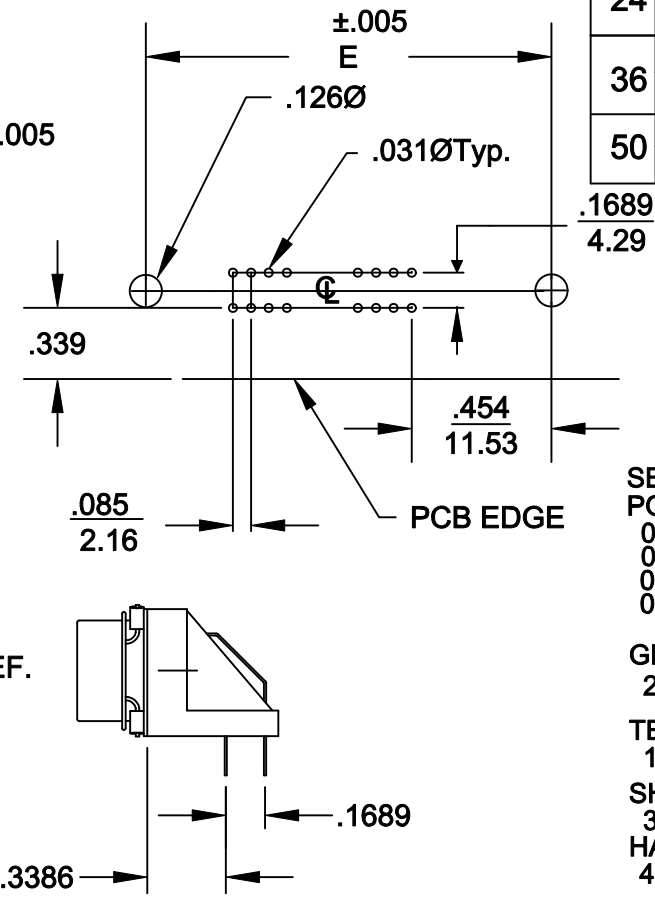
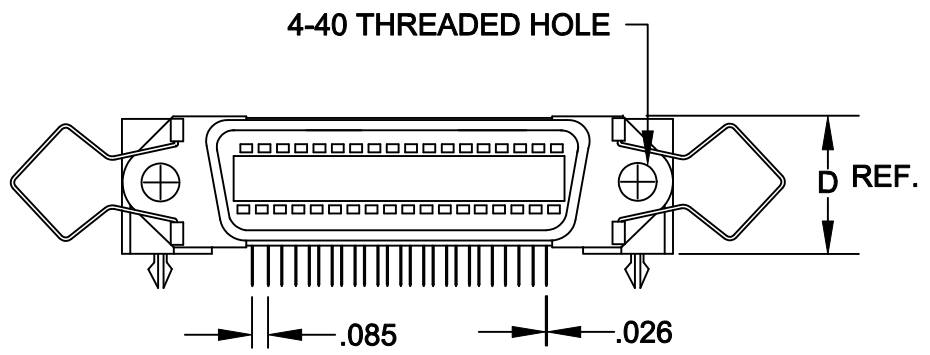
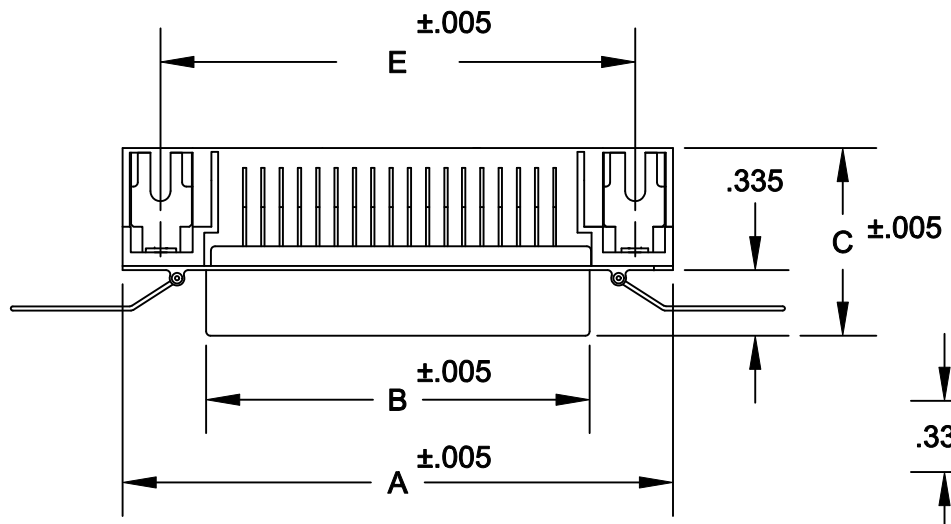


DESCRIPTION: .085" RIBBON FEMALE R/A BOARD MOUNT



	A	B	C	D	E
14	1.721	1.992	.969	.610	1.417
	43.70	25.20	24.60	15.50	35.99
24	2.146	1.417	.969	.610	1.842
	54.50	36.00	24.60	15.50	46.79
36	2.662	1.925	.969	.610	2.352
	67.60	48.90	24.60	15.50	59.74
50	3.260	2.520	.969	.610	2.947
	82.80	64.00	24.60	15.50	74.85

112-YYY-213R491

SERIES _____

POSITIONS _____

014
024
036
050

GENDER _____

2 = FEMALE

TERMINATION _____

1 = DIP SOLDER

SHELL PLATING _____

3 = NICKEL

HARDWARE OPTIONS _____

49 = BOARD LOCKS

PLATING OPTIONS _____

01 = GOLD FLASH

MATERIALS:
 SHELL: STEEL, ZINC PLATED
 INSULATOR: GLASS FILLED THERMOPLASTIC - UL RATED 94V-O-230°C PROCESS TEMP.
 CONTACTS: PHOSPHOR BRONZE - GOLD FLASH PLATING
 RoHS COMPLIANT

ELECTRICALS:
 CONTACT CURRENT RATING: 1 AMP
 DIELECTRIC STRENGTH: 1000V FOR ONE MINUTE
 INSULATION RESISTANCE: 1000 MOHMS MINIMUM
 AT 500V DC
 OPERATING TEMPERATURE: -55°C TO +105°C

	THESE DRAWINGS AND SPECIFICATIONS ARE THE PROPERTY OF NorComp AND SHALL NOT BE REPRODUCED, COPIED OR USED AS THE BASIS FOR THE MANUFACTURE OF SALE OF APPARATUS WITHOUT WRITTEN PERMISSION.		DRAWN: WAYNE ROBBINS	DATE: 10-13-05
			CHECKED:	DATE:
<h1>NorComp</h1>		SCALE: 1:1	SHEET 1 OF 1	REV 3
		DWG NO. 112-YYY-213R491		