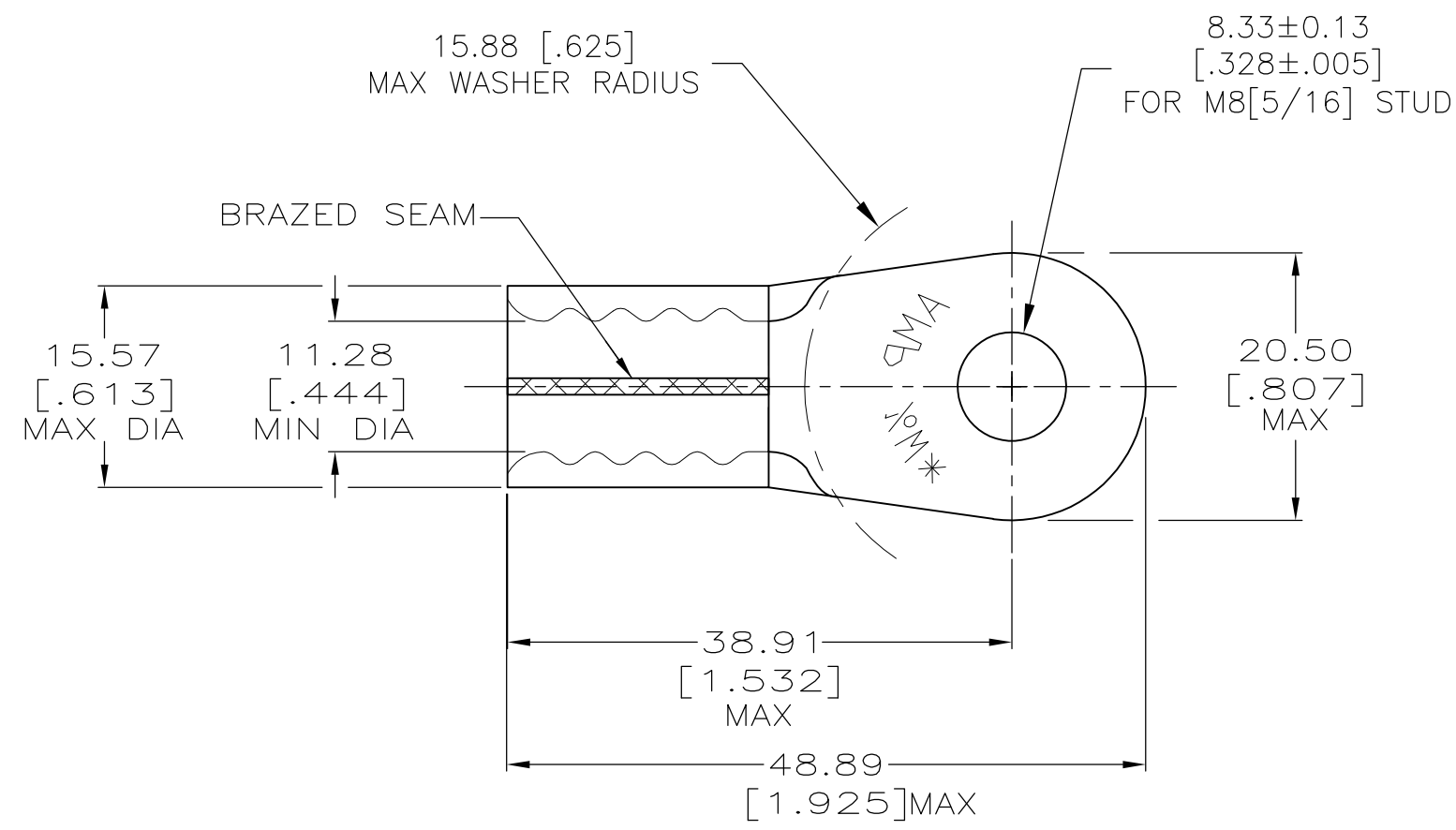


|     |      |           |     |                           |           |     |      |
|-----|------|-----------|-----|---------------------------|-----------|-----|------|
| LOC | DIST | REVISIONS |     |                           |           |     |      |
| G   | 14   | P         | LTR | DESCRIPTION               | DATE      | DWN | APVD |
|     |      |           | F5  | REVISED PER ECO-14-005115 | 04APR2014 | NK  | DR   |



|                              |                              |
|------------------------------|------------------------------|
| <b>AMP</b><br>WIRE RANGE     | E13288 Listed                |
| 1/0 AWG<br>SOLID OR STRANDED | 1/0 AWG<br>SOLID OR STRANDED |
| LR7189 Certified             | MILITARY P/N AND CLASS       |
| 1/0 AWG<br>SOLID OR STRANDED |                              |

- TIN PL 0.00254[.000100] MIN THK PER ASTM B-545
- NICKEL PLATE 0.00762 [.000300] MIN EXT. THK PER QQ-N-290
- MS20659-151 CLASS 2
- 4 MATERIAL THICKNESS: 1.78±0.08[.070±.003]
- GOLD PLATE 0.00127[.000050] MIN EXT. THK. PER ASTM B488, TYPE 1, CODE C OVER NICKEL PLATE 0.00127[.000050] MIN. EXT. THK PER SAE AMS QQ-N-290 OVER Cu FLASH PER SAE AMS 2418

|             |                 |     |              |        |            |
|-------------|-----------------|-----|--------------|--------|------------|
|             | 170°C [338°F]   | 25  | LOOSE PIECE  |        | 8-321867-3 |
| PRELIMINARY | 260°C [500°F]   | 50  | LOOSE PIECE  |        | 321867-3   |
|             | 343°C [649°F]   | 50  | LOOSE PIECE  |        | 321867-2   |
|             | 170°C [338°F]   | 50  | LOOSE PIECE  |        | 321867     |
|             | MAX TEMP RATING | QTY | PACKAGE TYPE | FINISH | PART NO.   |

|   |  |   |                     |         |  |           |            |               |              |       |     |       |     |        |     |
|---|--|---|---------------------|---------|--|-----------|------------|---------------|--------------|-------|-----|-------|-----|--------|-----|
| MAX RECOMMENDED OPERATING TEMPERATURE:<br>SEE TABLE | THIS DRAWING IS A CONTROLLED DOCUMENT. |   | DWN                 | 8/30/91 | <b>STE</b> TE Connectivity   |           |            |               |              |       |     |       |     |        |     |
|   | DIMENSIONS:<br>mm[INCHES]              | TOLERANCES UNLESS OTHERWISE SPECIFIED:<br><br><table border="0"> <tr><td>0 PLC</td><td>± -</td></tr> <tr><td>1 PLC</td><td>± -</td></tr> <tr><td>2 PLC</td><td>± 0.20[.008]</td></tr> <tr><td>3 PLC</td><td>± -</td></tr> <tr><td>4 PLC</td><td>± -</td></tr> <tr><td>ANGLES</td><td>± -</td></tr> </table> | 0 PLC               | ± -     |  | 1 PLC     | ± -        | 2 PLC         | ± 0.20[.008] | 3 PLC | ± - | 4 PLC | ± - | ANGLES | ± - |
| 0 PLC   |  |   | ± -                 |         |  |           |            |               |              |       |     |       |     |        |     |
| 1 PLC   | ± -                                    |   |                     |         |  |           |            |               |              |       |     |       |     |        |     |
| 2 PLC   | ± 0.20[.008]                           |   |                     |         |  |           |            |               |              |       |     |       |     |        |     |
| 3 PLC   | ± -                                    |   |                     |         |  |           |            |               |              |       |     |       |     |        |     |
| 4 PLC   | ± -                                    |   |                     |         |  |           |            |               |              |       |     |       |     |        |     |
| ANGLES  | ± -                                    |   |                     |         |  |           |            |               |              |       |     |       |     |        |     |
| VOLTAGE RATING:<br>N/A                              |  | MATERIAL<br>COPPER PER ASTM B152 ANNEALED   | APVD                | 9/30/91 | NAME<br>TERMINAL, RING TONGUE, SOLISTRAND<br>WIRE SIZE 50.0mm2 [1/0] AWG |           |            |               |              |       |     |       |     |        |     |
| CIRCULAR MIL AREA:<br>42.4-60.6mm² [83,700-118,500] |  |   | FINISH<br>SEE TABLE | APVD    |  | 9/30/91   |            |               |              |       |     |       |     |        |     |
|   |  |   | PRODUCT SPEC        |         | SIZE   | CAGE CODE | DRAWING NO | RESTRICTED TO |              |       |     |       |     |        |     |
|   |  |   | APPLICATION SPEC    |         | A3   | 00779     | C-321867   | -             |              |       |     |       |     |        |     |
|   |  |   | WEIGHT              | -       | CUSTOMER DRAWING   |           |            | SCALE         | SHEET        | REV   |     |       |     |        |     |
|   |  |   |                     |         |  |           |            | 2:1           | 1 OF 1       | F5    |     |       |     |        |     |