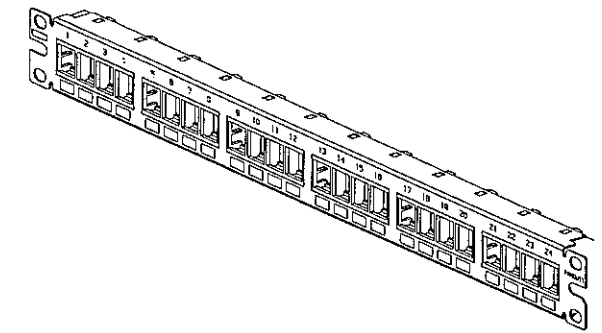
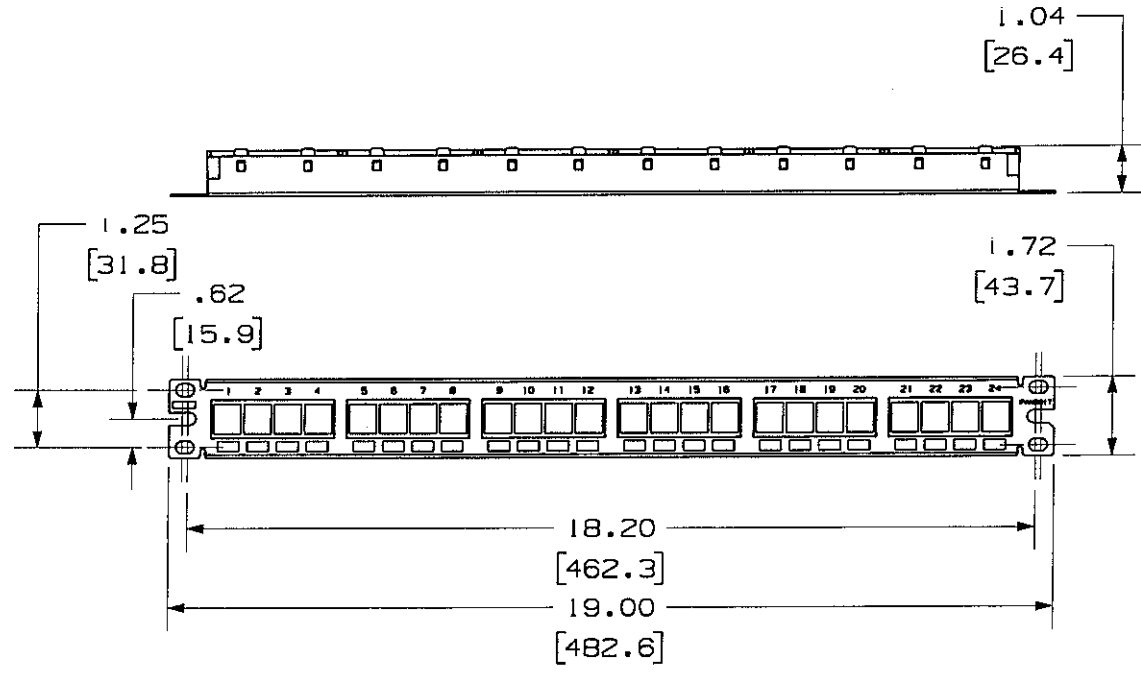


THIS COPY IS PROVIDED ON A RESTRICTED BASIS AND IS NOT TO BE USED IN ANY WAY DETRIMENTAL TO THE INTERESTS OF PANDUIT CORP.

PANDUIT P/N	WEIGHT
NKPP24FMY	7.51 LB/10 PCS (3408.5 g/10 PCS)

- NOTES:
- SEE CURRENT CATALOG FOR VARIOUS APPLICATIONS WITH THIS WIRING SYSTEM.
 - THE FLUSH MOUNT PATCH PANEL IS DESIGNED FOR MOUNTING TO 19" UNIVERSAL RACKS.
 - PACKAGE CONTENTS:
 - (1) - 24 PORT STAMPING
 - (6) - 4 POSITION FACEPLATE (ASSEMBLED TO PANEL)
 - (1) - SCREW KIT (INCLUDES FOUR #12-24 SCREWS)
 - (1) - SCREW KIT (INCLUDES FOUR M6 SCREWS)
 - DIMENSIONS IN PARENTHESIS ARE IN METRIC.



NETWORK SYSTEMS
MAY 25 2006
ENGINEERING DEPT

MODEL FILENAME	MO1667AB_NKPP24FM_ASMBL_01.PRT	SIZE	A
DRAWING FILENAME	MO2479DR_DC98_00A.PRT		

NETKEY 24 PORT FLUSH MOUNT MODULAR PATCH PANEL CUSTOMER DRAWING

<p>THIRD ANGLE PROJECTION</p>	<p>ALL DIMENSIONS ARE GIVEN IN INCHES, UNLESS OTHERWISE SPECIFIED.</p> <p>DIMENSIONAL TOLERANCES ARE:</p> <p>(.X) ± (.XXX) ± .010(.3)</p> <p>(.XX) ± .03(.8) ANGLES ±</p>	1.1. NUMBER	N/A
		PRODUCT SPEC	N/A
		WORK INSTRUCTION	N/A
		SCALE	NONE
DRAWN BY	JSP	MATERIAL:	
DATE	4-19-06	PANEL: 20 GAGE C.R.S.	
CHK'D		FACEPLATE: ABS	
		PART NO.	NKPP24FMY
		DRAWING NO.	02479-098

REV	DATE	BY	CHK	DESCRIPTION	ECN	R	CUST	SUP	OTH
R	4-19-06	JSP		RELEASED TO PRODUCTION	02479-098				