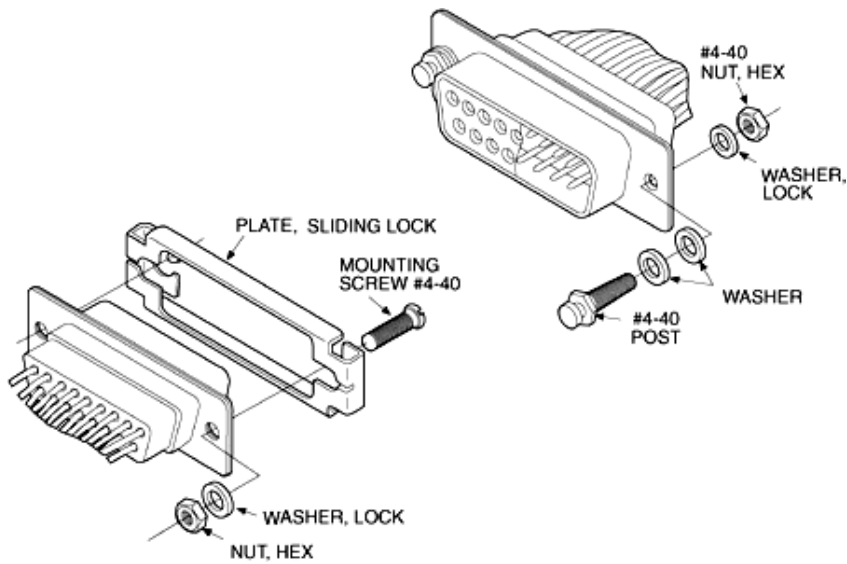
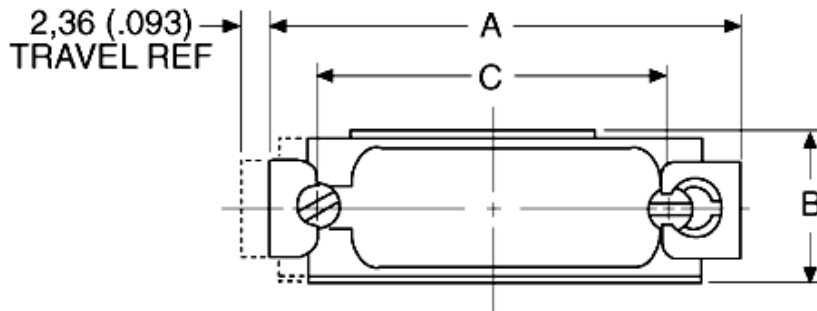
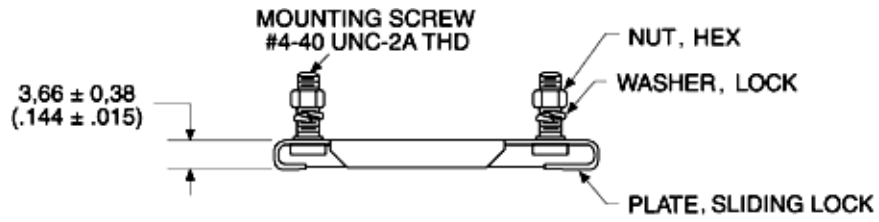




Part Number: DC51222-1



Product Group	D Subminiature Accessories
Where Sold	Asia Pacific, Europe, Americas
D Sub Accessory type	Locking Hardware
Application Type	Military/High Reliability, Commercial
Shell Size	DC
D Sub Accessory Style	Slide Lock
Sliding Lock Plate Material	Stainless Steel
Sliding Lock Plate Finish/Treatment	Passivated
Mounting Screw Material	Steel
Mounting Screw Finish	Yellow chromate over cadmium or zinc
Lock Washer Material	Steel
Lock Washer Finish	Yellow chromate over cadmium or zinc
Hex Nut Material	Steel
Hex Nut Finish	Yellow chromate over cadmium or zinc
Dimension A	73,86 (2.908) \pm 0,38 (.015)
Dimension B	12,70 (.500) \pm 0,38 (.015)
Dimension C	63,50 (2.500) \pm 0,13 (.005)
Note 1	Kit consists of 1 sliding lock plate, 2 mounting screws, 2 lock washers, 2 hex nuts. Order 1 kit per connector.
Note 2	Meets IEEE 802.3 Ethernet specification.
Footnote	Dimension are shown in mm (inch). Dimensions subject to change.
For more information	Please Contact Cannon Sales Department