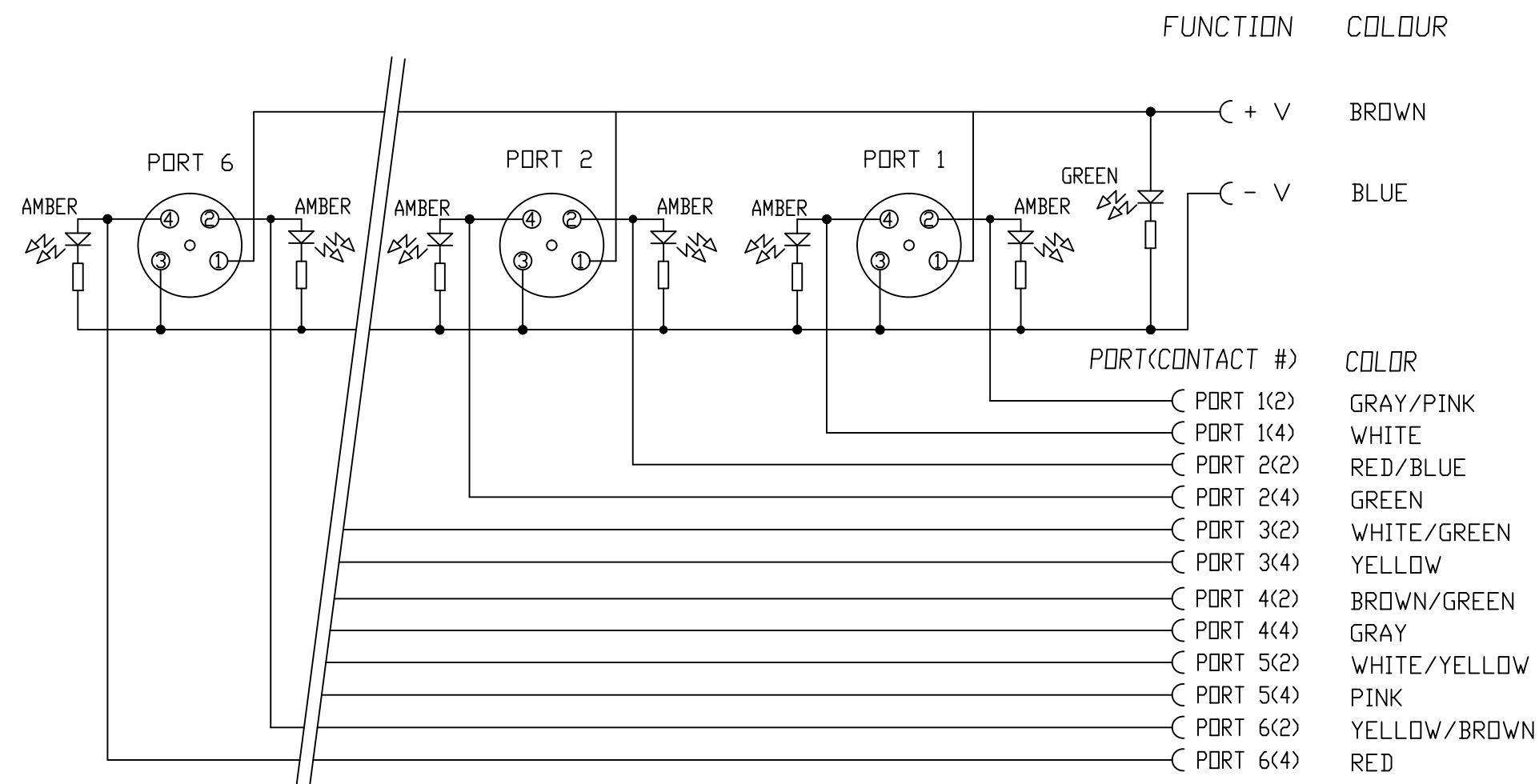
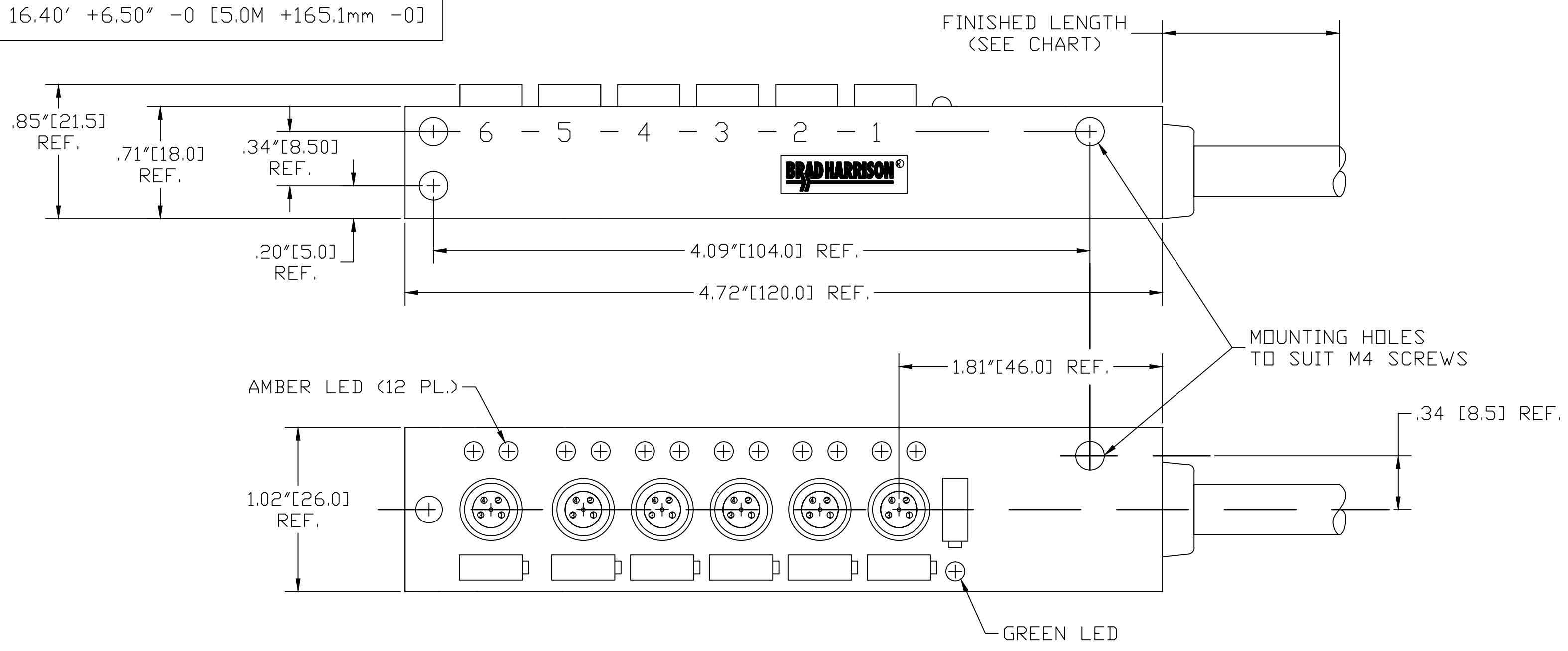


13	12	11	10	9	8	7	6	5	4	3	2	1
MATERIAL NUMBER	OLD PART NUMBER	FINISHED LENGTH										
120054-0043	BEY603P-FBP-05	16.40' +6.50" -0 [5.0M +165.1mm -0]										



BEY603P-FBP-05

Wire type
2x.75mm + 12x.34mm
Black PUR

cable length
05----5 Meter
100----10 Meter

CONTACT:	GOLD/NICKEL OVER COPPER ALLOY
INSERT:	PUR, BLACK
HOUSING:	TPU, YELLOW
VOLTAGE RATING:	10 VAC/30 VDC
AMPERAGE RATING:	6 AMPS
PROTECTION:	IP67
OPERATING TEMPERATURE:	-5°C TO 90°C

INITIAL RELEASE EC NO.: IPG2014-0063 DRWN: EBRACKEN 2013/07/09 CH'KD: RSTONE APPR: BWOODMAN 2013/08/16 REV A	QUALITY SYMBOL ▽=0 ▽=0	GENERAL TOLERANCES (UNLESS SPECIFIED) mm INCH 4 PLACES ±--- ±--- 3 PLACES ±--- ±.005 2 PLACES ±0.13 ±.010 1 PLACE ±0.25 ±.020 ANGULAR ±.5°	DIMENSION STYLE IN/MM DRAWN BY DATE EBRACKEN 2013/06/18 CHECKED BY DATE RSTONE APPROVED BY DATE BWOODMAN 2013/08/16	SCALE --- DESIGN UNITS INCH THIRD ANGLE PROJECTION	TITLE M8-MPIS 4 POLE-6 PORT END-5M CABLE BLACK PUR MOLEX INCORPORATED DOCUMENT NO. SD-120054-002 SHEET NO. 1 OF 1	
	DRAFT WHERE APPLICABLE MUST REMAIN WITHIN DIMENSIONS		MATERIAL NO. SEE CHART	THIS DRAWING CONTAINS INFORMATION THAT IS PROPRIETARY TO MOLEX INCORPORATED AND SHOULD NOT BE USED WITHOUT WRITTEN PERMISSION		
			SIZE C			