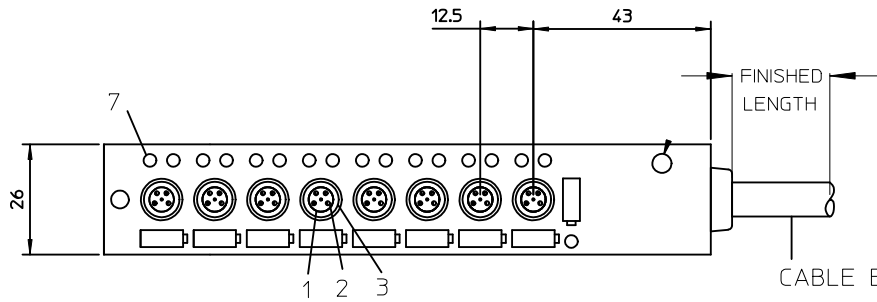
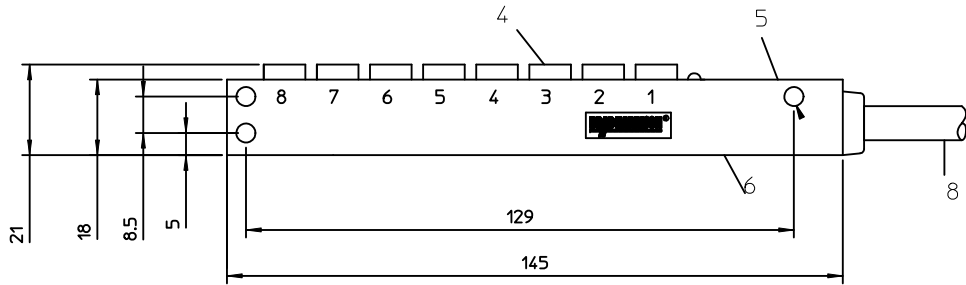
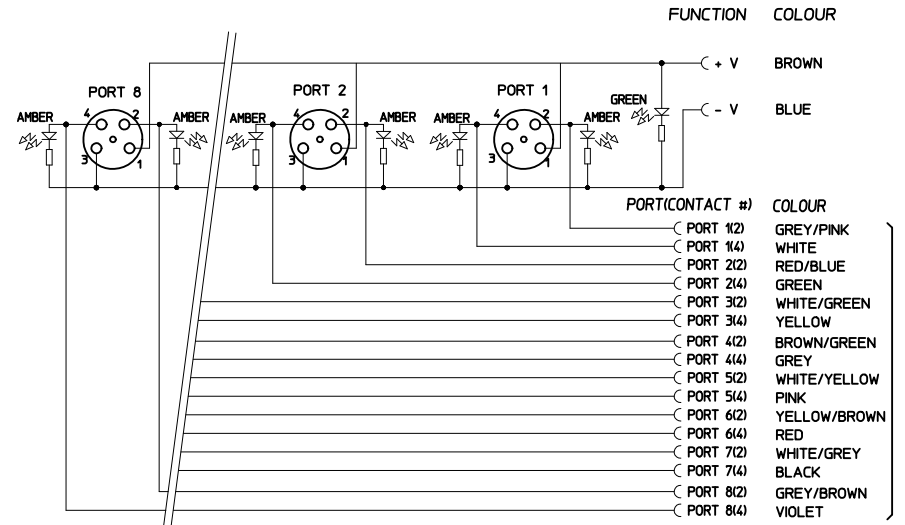


SAP-NUMBER	OLD PART NUMBER	FINISHED LENGTH
1201130017	BEY803P-FBP-05	5000



CABLE END:
 OUTER SHEATH STRIPPED 100 mm
 CONDUCTOR STRIP 5 mm



CLOSURE CAP

SAP no. 1203080677
 Quantity 2

VOLTAGE RATING	10 - 30 VDC
AMPERAGE RATING PER PORT	2 A MAX./PORT 6 A MAX. TOTAL
PROTECTION	IP 67
OPERATING TEMPERATURE	-25°C / +90 °C

ITEM	COMPONENT	MATERIAL	FINISH
1	INSERT	PUR	BLACK
2	CONTAC SOCKET	BRASS	GOLD OVER NICKEL
3	O-RING	VITON	---
4	RECEPTACLE SHELL	BRASS	NICKEL PLATED
5	HOUSING	PBT	YELLOW
6	LABEL	ABS	WHITE
7	LENS	PA	CLEAR
8	CABLE	PUR	---

NEW RELEASE
 EC NO: WEU2010-0248
 DRWN:SBH 2010/01/08
 CHKD:APOHL WEU 2010/01/08
 APPR:NSTAUDIGEL 2010/01/29

QUALITY SYMBOLS	GENERAL TOLERANCES (UNLESS SPECIFIED)	
	mm	INCH
▽=0	4 PLACES ± ---	± ---
▽=0	3 PLACES ± ---	± ---
	2 PLACES ± ---	± ---
	1 PLACE ± 0.3	± ---
	ANGULAR ± ---°	

DRAFT WHERE APPLICABLE
 MUST REMAIN WITHIN DIMENSIONS

DIMENSION STYLE		SCALE	DESIGN UNITS
MM ONLY			METRIC
DRAWN BY	DATE	TITLE	
SBH	2010/01/08	M8-MPIS 8 PORT CABLE 4 POL STRAIGHT OUTLINE	
CHECKED BY	DATE		
APOHL WEU	2010/01/08		
APPROVED BY	DATE		
NSTAUDIGEL	2010/01/29		
MATERIAL NO.			
	SEE TABLE		

MOLEX INCORPORATED

DOCUMENT NO. SD-120113-017 SHEET NO. 1 OF 1

THIS DRAWING CONTAINS INFORMATION THAT IS PROPRIETARY TO MOLEX INCORPORATED AND SHOULD NOT BE USED WITHOUT WRITTEN PERMISSION