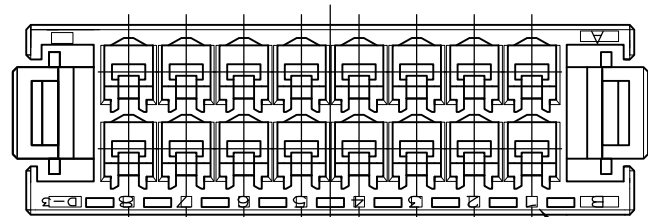


THIS DRAWING IS UNPUBLISHED. RELEASED FOR PUBLICATION

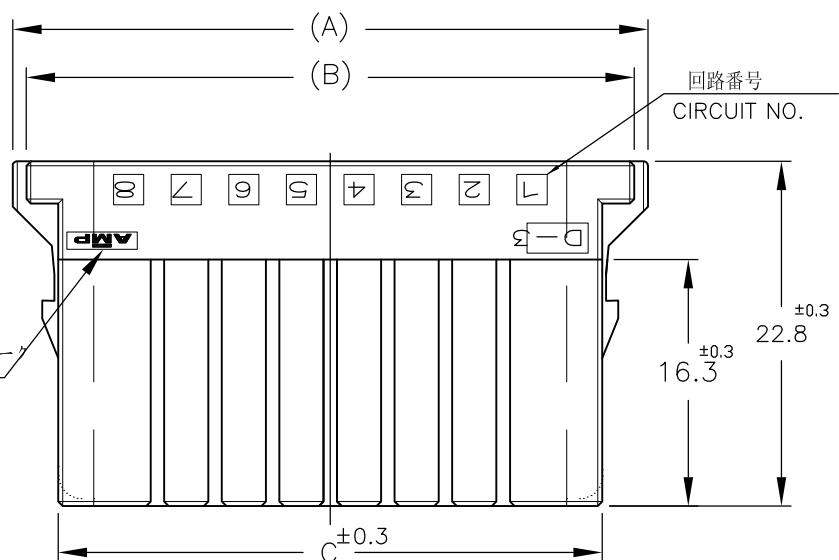
© COPYRIGHT - By Tyco Electronics Japan G.K.

ALL RIGHTS RESERVED.

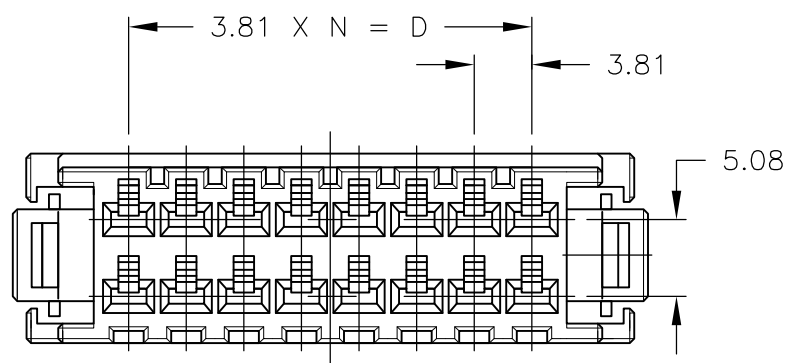
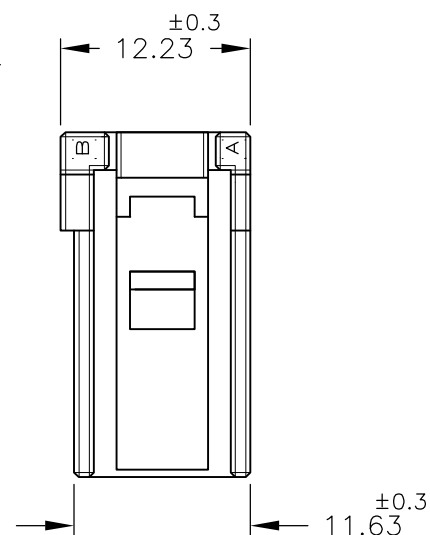
LOC	DIST	REVISIONS					
J	-	P	LTR	DESCRIPTION	DATE	DWN	APVD
			C8	REVISED	27JUL2012	H.M	N.Y



回路番号
CIRCUIT NO.



AMPマーク&ロケーションマーク
AMP MARK &
LOCATION MARK



NOTE

- 1 MATERIAL:GLASS FIELD THERMO PLASTIC,POLYESTER
COLOR;BLACK
- ~~2 TO COAT ALL SURFACE OF HOUSING WITH TEFLON~~
- 3 THE SHAPE,SIZE AND POSITION OFTHE CHARACTER
SHOW THE OUTLINE THEY DON'T SHOW DETAILS

注記

- 1 材料: ガラス入り熱可塑性ポリエステル樹脂
色: 黒色
- ~~2 ハウジング全面にテフロン塗装のこと~~
- 3 文字の形状、大きさ、および位置については、大略を示すものであり、
詳細を示すものではありません。

OBSOLETE	△	20 POS.	51.03	47.83	43.37	34.29	9	178289-8		
		16 POS.						5=178289=7		
		16 POS.						178289-7		
		12 POS.	35.79	32.59	28.13	19.05	5	178289-6		
OBSOLETE	△	10 POS.	31.98	28.78	24.32	15.24	4	5=178289=5		
		10 POS.	31.98	28.78	24.32	15.24	4	178289-5		
		8 POS.	28.17	24.97	20.51	11.43	3	178289-4		
OBSOLETE	△	6 POS.	24.36	21.16	16.70	7.62	2	5=178289=3		
		6 POS.	24.36	21.16	16.70	7.62	2	178289-3		
		FINISH	POS.	DIMENSION	A	B	C	D	N	PART NUMBER

THIS DRAWING IS A CONTROLLED DOCUMENT.

DWN N.MATSUBARA 09JUL1991
CHK H.OBATA 24FEB1992
APVD S.MANABE 04MAR1992

STE TE Connectivity

NAME: REC HSG FOR DYNAMIC DPUBLE ROW
DYNAMIC D-3100 REC HSG

PRODUCT SPEC: -
APPLICATION SPEC: -
WEIGHT: -

SIZE: A3 CAGE CODE: 00779 DRAWING NO: C-178289 RESTRICTED TO: -

CUSTOMER DRAWING SCALE: 2:1 SHEET: 1 OF 2 REV: C8

DIMENSIONS: mm	TOLERANCES UNLESS OTHERWISE SPECIFIED: 0 PLC ± 0.2 1 PLC ± 0.25 2 PLC ± 0.25 3 PLC ± 0.3 4 PLC ± 0.3 ANGLES ± 3'
MATERIAL SEE NOTE	FINISH -

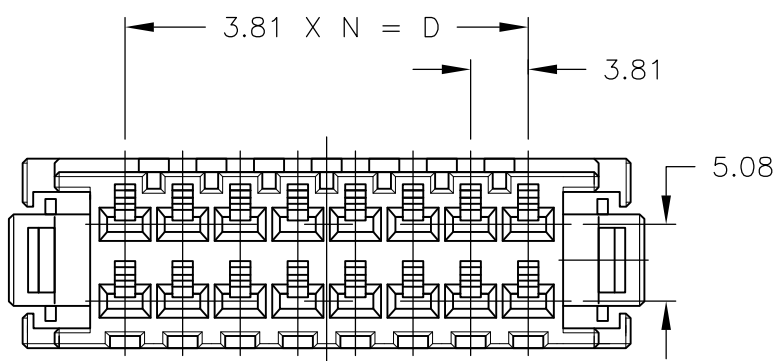
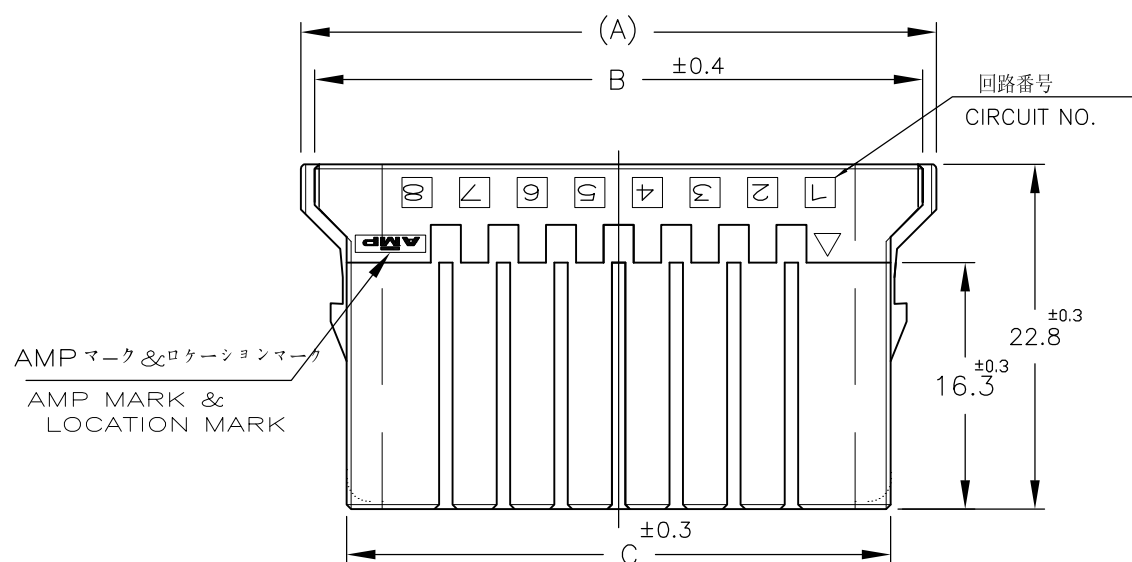
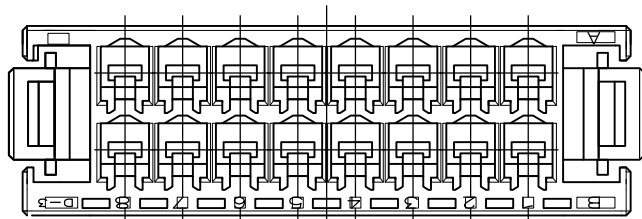
THIS DRAWING IS UNPUBLISHED.

RELEASED FOR PUBLICATION

© COPYRIGHT - By Tyco Electronics Japan G.K.

ALL RIGHTS RESERVED.

LOC	DIST	REVISIONS					
		P	LTR	DESCRIPTION	DATE	DWN	APVD
J	-	-	-	SEE SHEET 1	-	-	-



NOTE:SEE SHEET 1 OF 2

OBSOLETE										5-178289-7
		16POS	42.71	40.21	35.97	26.67	7			178289-7
	FINISH	POS.	DIMENSION	A	B	C	D	N		PART NUMBER

THIS DRAWING IS A CONTROLLED DOCUMENT.		DWN N.MATSUBARA 09JUL1991	TE Connectivity				
DIMENSIONS: mm		CHK H.OBATA 24FEB1992					
TOLERANCES UNLESS OTHERWISE SPECIFIED:		APVD S.MANABE 04MAR1992	NAME REC HSG FOR DYNAMIC DPUBLE ROW DYNAMIC D-3100 REC HSG				
<ul style="list-style-type: none"> 0 PLC \pm 1 PLC $\pm 10 >$: ± 0.2 2 PLC $\pm < 0.30$: ± 0.25 3 PLC $\pm 30 < 100$: ± 0.3 4 PLC ANGLES $\pm 3'$ 		PRODUCT SPEC -	APPLICATION SPEC -				
MATERIAL SEE NOTE		FINISH -	WEIGHT -	SIZE A3	CAGE CODE 00779	DRAWING NO C-178289	RESTRICTED TO -
CUSTOMER DRAWING				SCALE 2:1	SHEET 2 OF 2	REV C8	