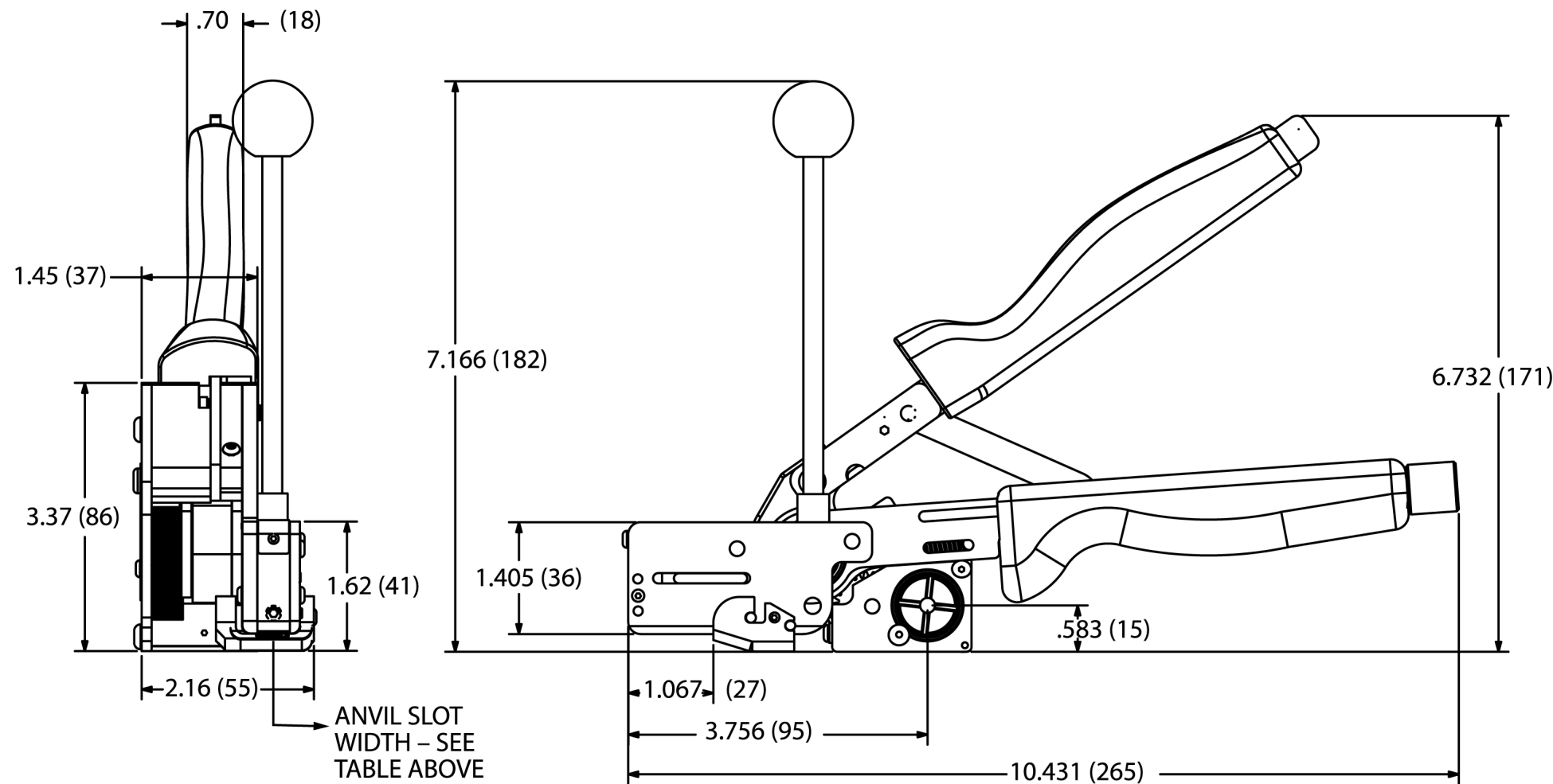


THIS COPY IS PROVIDED ON A RESTRICTED BASIS AND IS NOT TO BE USED IN ANY WAY DETRIMENTAL TO THE INTERESTS OF PANDUIT CORP.

TOOL	ANVIL SLOT WIDTH (STRAP SIZE)	ANVIL MARKS	SETSHEAR FINGER MARKS	CHANGEOVER KIT	TOOL TENSION SETTING
MTRTLS	3/16" (4.6mm) – S	1 MARK	2 MARKS	KMTRTLS	S
	1/4" (6.4mm) – LH	2 MARKS	2 MARKS		LH
MTRTH	5/16" (7.9mm) – H	NO MARK	1 MARK	KMTRTH	H



NOTES, UNLESS OTHERWISE SPECIFIED:

PANDUIT MTRTH tool installs MRT and MRS Ball Lock ties in widths of 5/16" (7.9mm) Heavy (H) cross sections.

PANDUIT MTRTLS tool installs MRT and MRS Ball Lock ties in widths of 3/16" (4.6mm) Standard (S) cross sections. An Anvil is included, which can be changed for installing MRT and MRS ties in widths of 1/4" (6.4mm) Light-Heavy (LH) cross-sections.

TOOL FEATURES INCLUDE:

- Adjustable detent mechanism
- Smooth cable tie cut-off
- Tie tensioning mechanism

KMTRTH and KMTRTLS Changeover Kits are available which allow installation of all three cross-sections of MRT and MRS ties with either tool.

CABLE TIE CODE:

MRT = Metal Retained Tension Tie

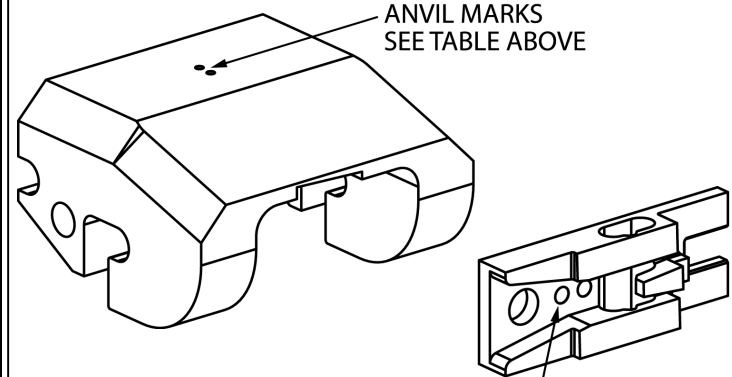
MRS = Metal Radial Seal Retained Tension Tie

TOOL WEIGHT = 47 OZ. (1329 GRAMS)

DIMENSIONS IN PARENTHESES ARE METRIC.

F:/RVUSERS/ENGDOCS/CUSTDWGS/TM25278B01_00 MTRTH-LS CD.doc

ANVIL MARKS
SEE TABLE ABOVE



SETSHEAR FINGER
MARKS - SEE TABLE ABOVE

REV	DATE	BY	CHK'D	DESCRIPTION	ECN	- R	CUST	SUP
00	6-13-07	BLR	BJPU	RELEASED	4232	--	JRWA	

PANDUIT CORP. TINLEY PARK, ILLINOIS

**MTRTH and MTRTLS
CUSTOMER DRAWING**

UNLESS OTHERWISE SPECIFIED,
DIMENSIONAL TOLERANCES ARE:
(.x) ± ---- (.xxx) ± ----
(.xx) ± ---- ANGLES ± ----

UNLESS OTHERWISE SPECIFIED,
ALL DIMENSIONS ARE GIVEN IN
INCHES, THIRD ANGLE
PROJECTION.

DRAWN BY:
BLR

MATL:

SCALE

NONE

DATE:
6-13-07

CHK'D:
BJPU

DRAWING NO.

TM25278B01

DWG
B
SIZE