

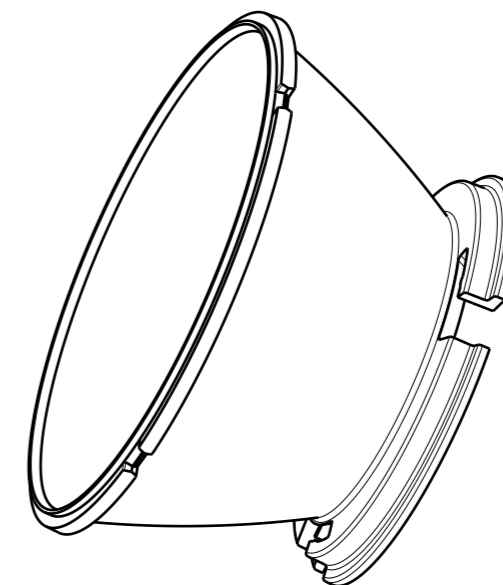
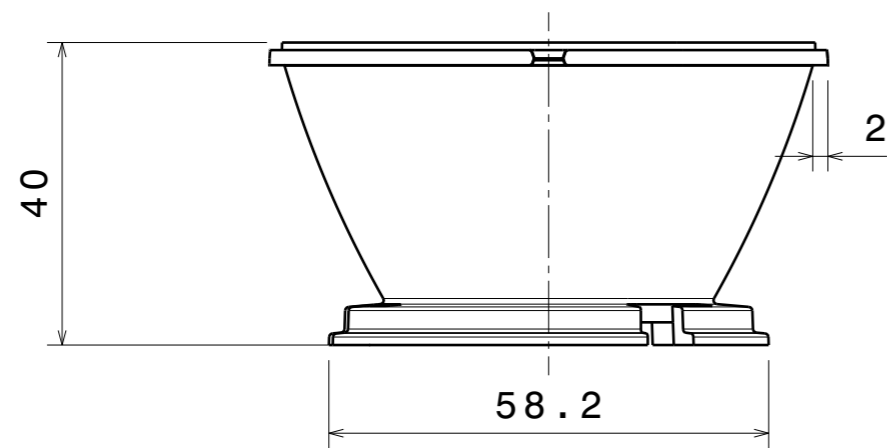
This drawing applies to:

C12597\_LENINA-S

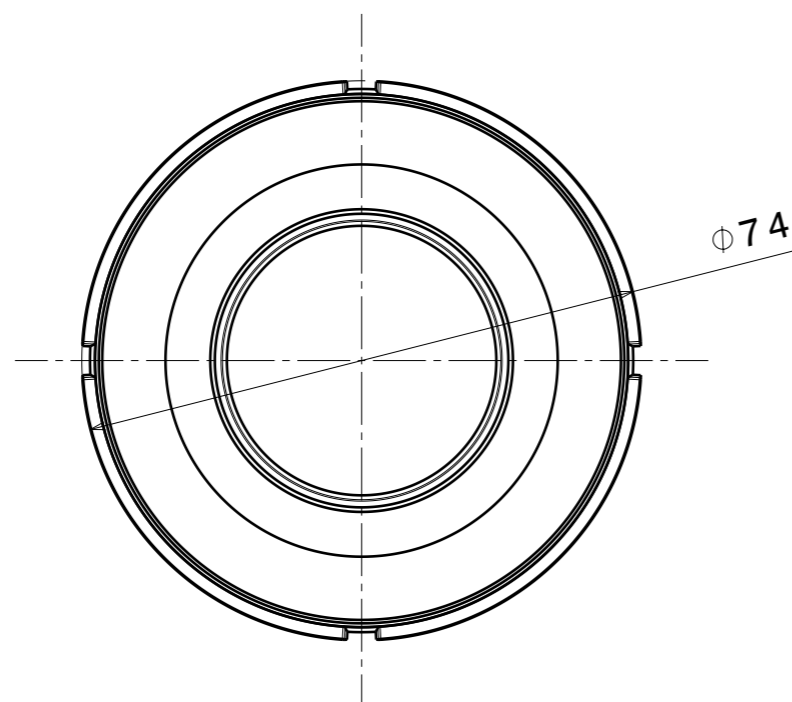
C12598\_LENINA-M

C12599\_LENINA-W

C12958\_LENINA-XW



Isometric view



INDEX	PART NO	DESCRIPTION
1	Lenina-reflector	PC

Tolerances if not otherwise shown  
 According to DIN ISO 2768-1  
 Linear measures:  
 Up to 30mm class F, otherwise class M.  
 According to DIN ISO 2768-2  
 Form and position: class K

**LEDiL**

Ledil Oy  
 Salorankatu 10  
 FIN 24240 SALO  
 Finland

THIRD ANGLE PROJECTION:

DRAWING TITLE  
**LENINA\_datasheet**

This drawing is the property of LEDiL Oy. It may not be reproduced, copied or communicated without a written agreement with LEDiL Oy."

SIZE	PART NUMBER
A3	-

SCALE	1:1	WEIGHT	-	SHEET	1/1
-------	-----	--------	---	-------	-----