

THIS DRAWING IS UNPUBLISHED.

RELEASED FOR PUBLICATION

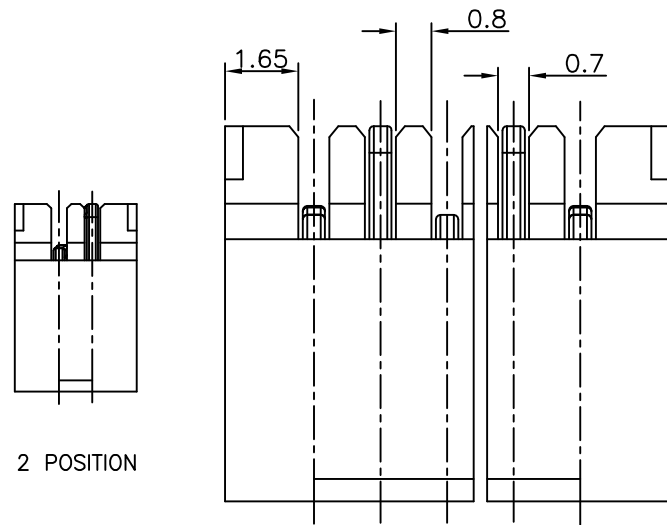
© COPYRIGHT - By -

ALL RIGHTS RESERVED.

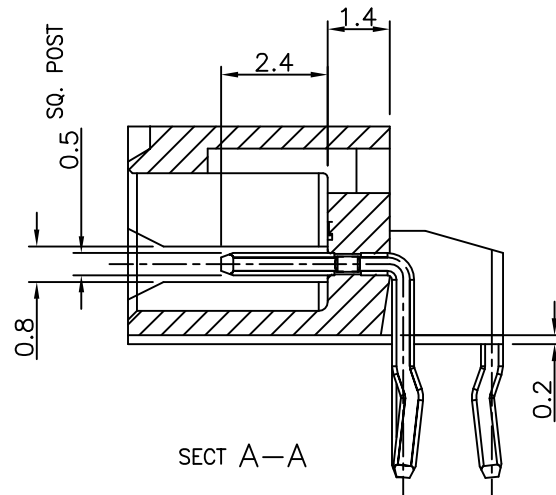
LOC ES DIST 00

REVISIONS

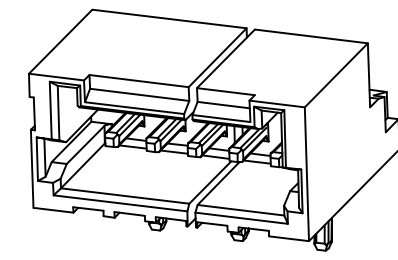
| P  | LTR | DESCRIPTION   | DATE    | DWN | APVD |
|----|-----|---------------|---------|-----|------|
| A2 |     | ECR-14-005789 | 19MAR14 | T.Q | W.H  |



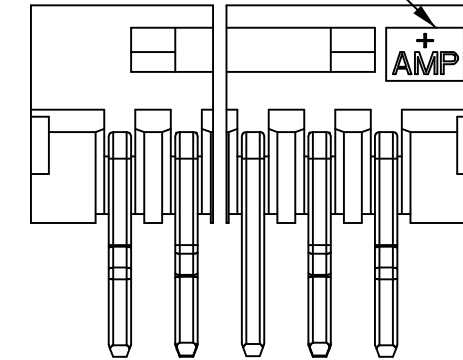
2 POSITION



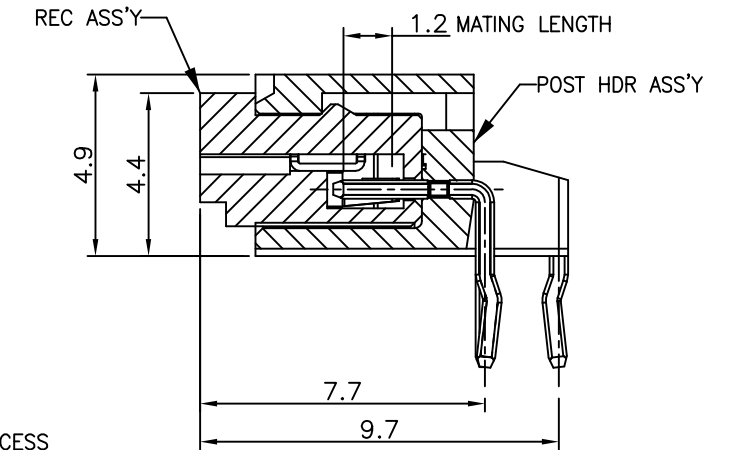
SECT A-A



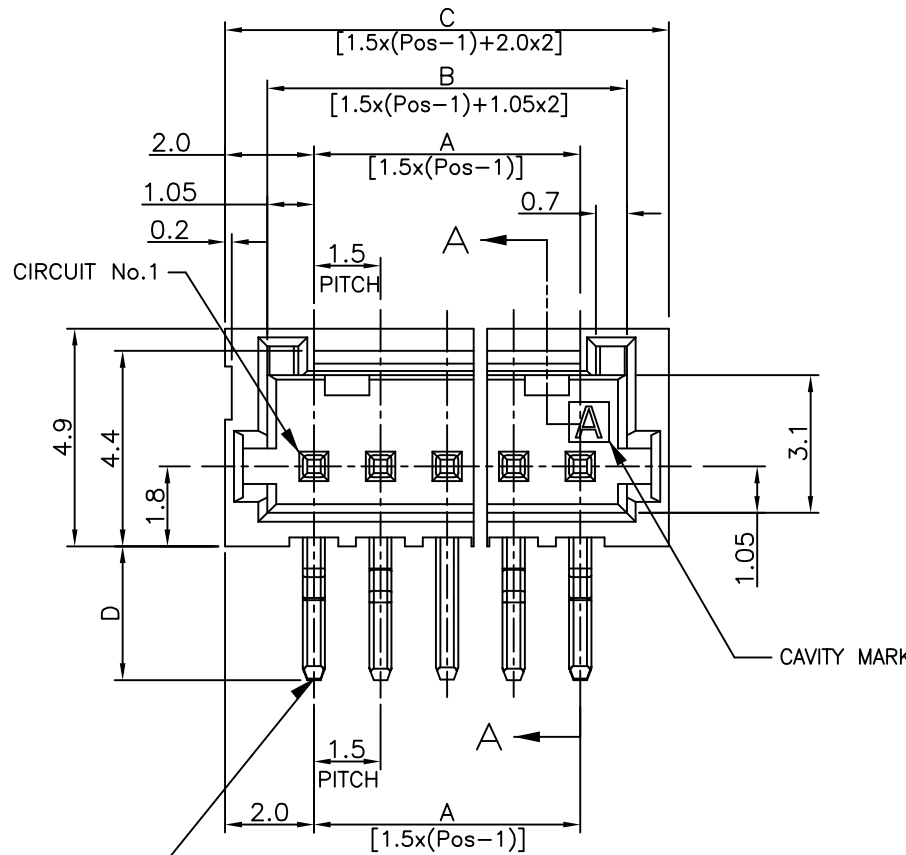
TRADE MARK



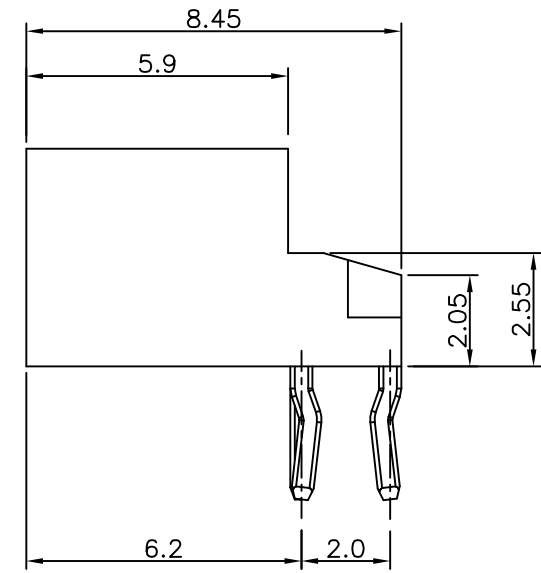
VIEW B



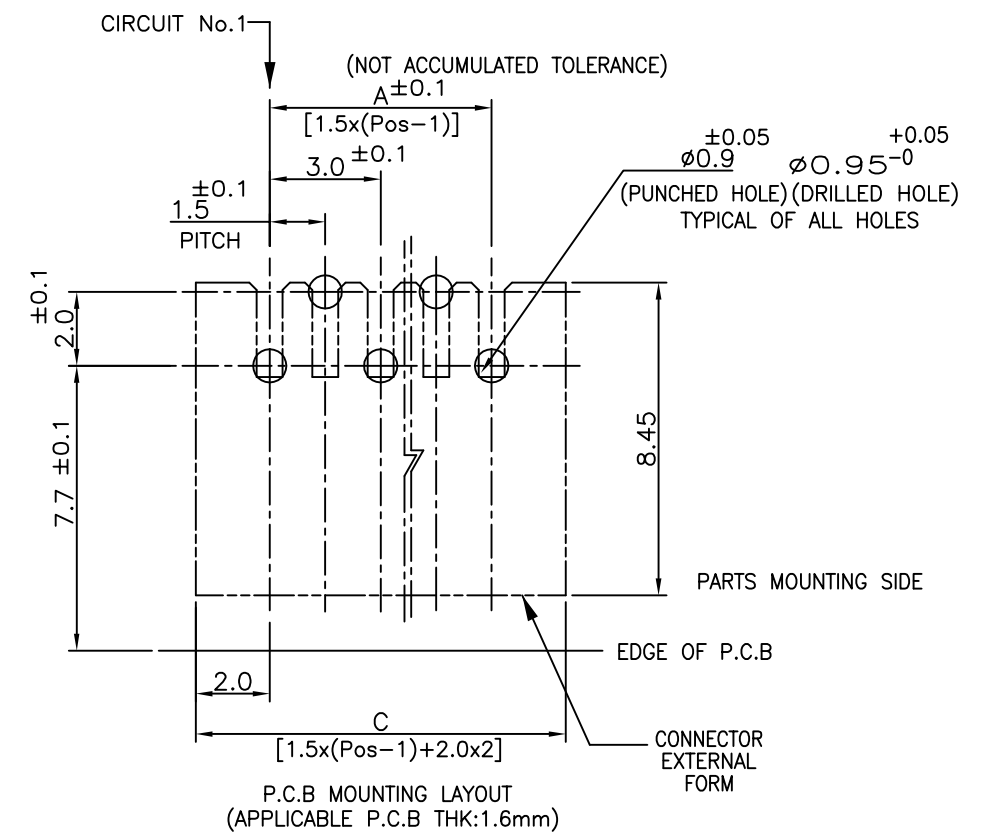
MATING SECTION



KINKING FORMING BOTH SIDE EACH 2 PLACES TOTAL: 4 PLACES



VIEW B



P.C.B MOUNTING LAYOUT (APPLICABLE P.C.B THK:1.6mm)

NOTES:

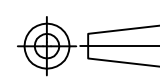
1.MATERIAL: HOUSING:NYLON(G.F.) UL94V-0,COLOR:GRAY,BLUE POST:PRE-TIN 0.5mm SQ. BRASS WIRE

TOLERANCES UNLESS OTHERWISE SPECIFIED:

|              |         |
|--------------|---------|
| 10 > *       | : ±0.2  |
| 30 > * > 10  | : ±0.25 |
| 100 > * > 30 | : ±0.3  |
| ANGLE        | : ±3°   |

THIS DRAWING IS A CONTROLLED DOCUMENT.

DIMENSIONS: MM



MATERIAL SEE NOTE 1

TOLERANCES UNLESS OTHERWISE SPECIFIED:

|        |   |
|--------|---|
| 0 PLC  | ± |
| 1 PLC  | - |
| 2 PLC  | - |
| 3 PLC  | - |
| 4 PLC  | - |
| ANGLES | ± |

FINISH SEE NOTE 1

|                  |           |         |
|------------------|-----------|---------|
| DWN              | S.YAO     | 06DEC02 |
| CHK              | T.SASAKI  | 31JAN03 |
| APVD             | T.SASAKI  | 31JAN03 |
| PRODUCT SPEC     | 108-60018 |         |
| APPLICATION SPEC | 114-5223  |         |
| WEIGHT           | SEE TABLE |         |
| CUSTOMER DRAWING |           |         |



AMP Mini CT Connector 1.5mm Pitch Single Row HDR Ass'y (H) DIP Staggered Type with Kink

| SIZE | CAGE CODE | DRAWING NO | RESTRICTED TO |
|------|-----------|------------|---------------|
| A3   | 00779     | C=292206   | -             |

SCALE NON SHEET 1 OF 2 REV A2

|     |      |           |     |             |      |     |      |
|-----|------|-----------|-----|-------------|------|-----|------|
| LOC | DIST | REVISIONS |     |             |      |     |      |
| ES  | 00   | P         | LTR | DESCRIPTION | DATE | DWN | APVD |
|     |      | -         |     | SEE SHEET 1 | -    | -   | -    |


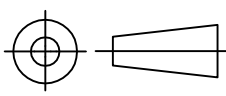
|            |            |      |      |      |      |            |            |
|------------|------------|------|------|------|------|------------|------------|
| 0.28       | 2.5        | 8.5  | 6.6  | 4.5  | 4    |            | 9-292206-4 |
| 0.23       | 2.5        | 7.0  | 5.1  | 3.0  | 3    |            | 9-292206-3 |
| 1.11       | 3.0        | 32.5 | 30.6 | 28.5 | 20   | 7-292206-0 | 2-292206-0 |
| 1.06       | 3.0        | 31.0 | 29.1 | 27.0 | 19   | 6-292206-9 | 1-292206-9 |
| 1.01       | 3.0        | 29.5 | 27.6 | 25.5 | 18   | 6-292206-8 | 1-292206-8 |
| 0.96       | 3.0        | 28.0 | 26.1 | 24.0 | 17   | 6-292206-7 | 1-292206-7 |
| 0.91       | 3.0        | 26.5 | 24.6 | 22.5 | 16   | 6-292206-6 | 1-292206-6 |
| 0.86       | 3.0        | 25.0 | 23.1 | 21.0 | 15   | 6-292206-5 | 1-292206-5 |
| 0.81       | 3.0        | 23.5 | 21.6 | 19.5 | 14   | 6-292206-4 | 1-292206-4 |
| 0.75       | 3.0        | 22.0 | 20.1 | 18.0 | 13   | 6-292206-3 | 1-292206-3 |
| 0.70       | 3.0        | 20.5 | 18.6 | 16.5 | 12   | 6-292206-2 | 1-292206-2 |
| 0.65       | 3.0        | 19.0 | 17.1 | 15.0 | 11   | 6-292206-1 | 1-292206-1 |
| 0.60       | 3.0        | 17.5 | 15.6 | 13.5 | 10   | 6-292206-0 | 1-292206-0 |
| 0.54       | 3.0        | 16.0 | 14.1 | 12.0 | 9    | 5-292206-9 | 292206-9   |
| 0.49       | 3.0        | 14.5 | 12.6 | 10.5 | 8    | 5-292206-8 | 292206-8   |
| 0.44       | 3.0        | 13.0 | 11.1 | 9.0  | 7    | 5-292206-7 | 292206-7   |
| 0.40       | 3.0        | 11.5 | 9.6  | 7.5  | 6    | 5-292206-6 | 292206-6   |
| 0.34       | 3.0        | 10.0 | 8.1  | 6.0  | 5    | 5-292206-5 | 292206-5   |
| 0.29       | 3.0        | 8.5  | 6.6  | 4.5  | 4    | 5-292206-4 | 292206-4   |
| 0.24       | 3.0        | 7.0  | 5.1  | 3.0  | 3    | 5-292206-3 | 292206-3   |
| 0.19       | 3.0        | 5.5  | 3.6  | 1.5  | 2    | 5-292206-2 | 292206-2   |
| WEIGHT (g) | D          | C    | B    | A    | Pos. | BLUE       | GRAY       |
|            | DIMENSIONS |      |      |      |      | PART NO    |            |

RELEASED FOR PUBLICATION

ALL RIGHTS RESERVED.

THIS DRAWING IS UNPUBLISHED.

© COPYRIGHT - By -

|   |                  |   |                     |
|---|------------------|---|---------------------|
| DIMENSIONS:<br>mm<br><br>TOLERANCES UNLESS OTHERWISE SPECIFIED:<br>0 PLC ± -<br>1 PLC ± SEE SHEET<br>2 PLC ± 1 OF 2<br>3 PLC ± -<br>4 PLC ± -<br>ANGLES ± - | DWN -            | MATERIAL -  | FINISH -            |
|   | CHK -            |  TE Connectivity   |                     |
|   | APVD -           |   |                     |
|   | PRODUCT SPEC -   | NAME<br>AMP Mini CT Connector 1.5mm Pitch<br>Single Row Post HDR Ass'y (H) DIP Staggered Type with Kink |                     |
| APPLIC. SPEC -  | SIZE A4          | CAGE CODE 00779   | DRAWING NO C-292206 |
| WEIGHT -  | CUSTOMER DRAWING |   | RESTRICTED TO -     |
|    | SCALE -          | SHEET 2 OF 2  | REV A2              |