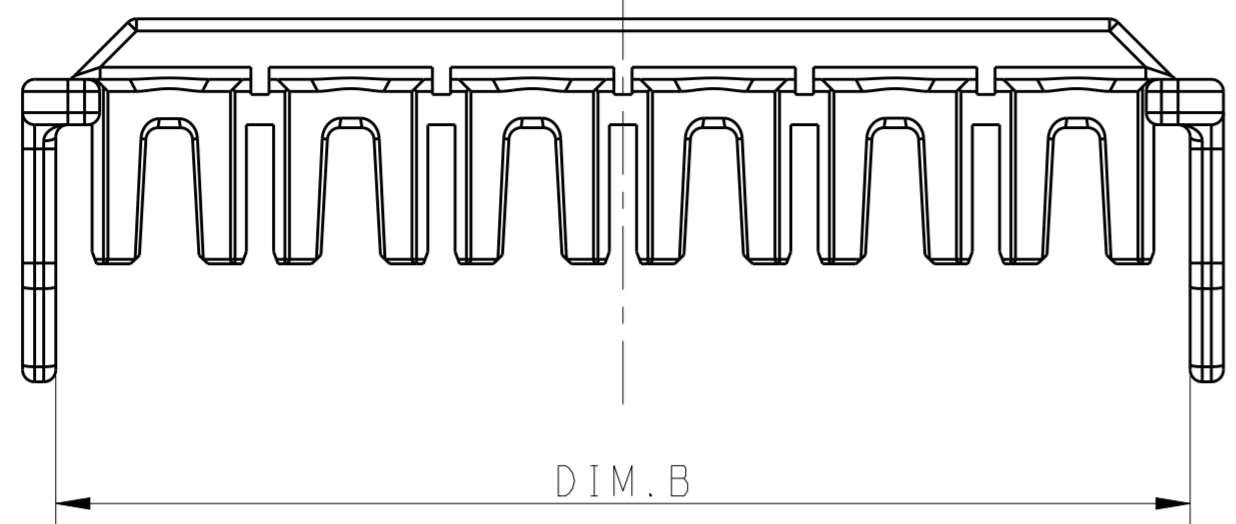
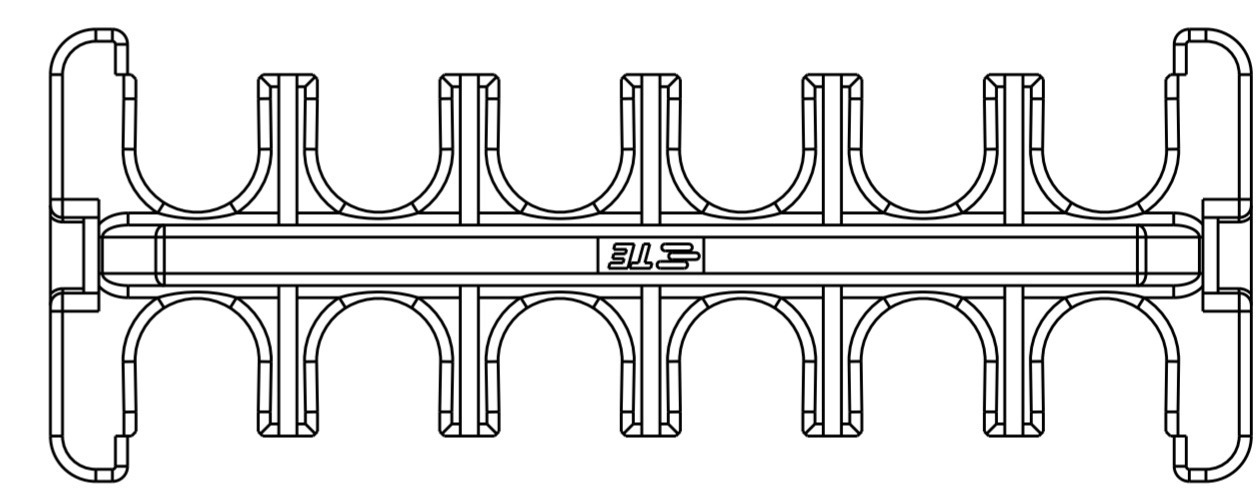
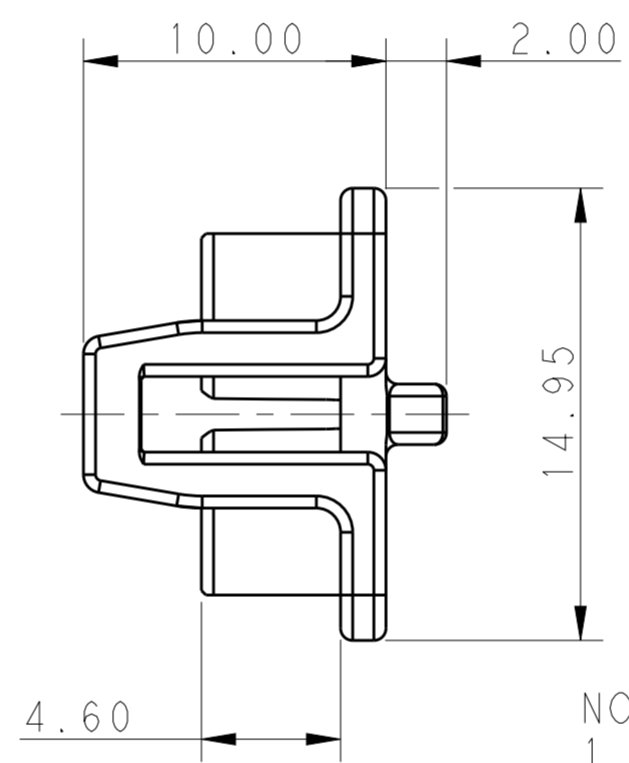
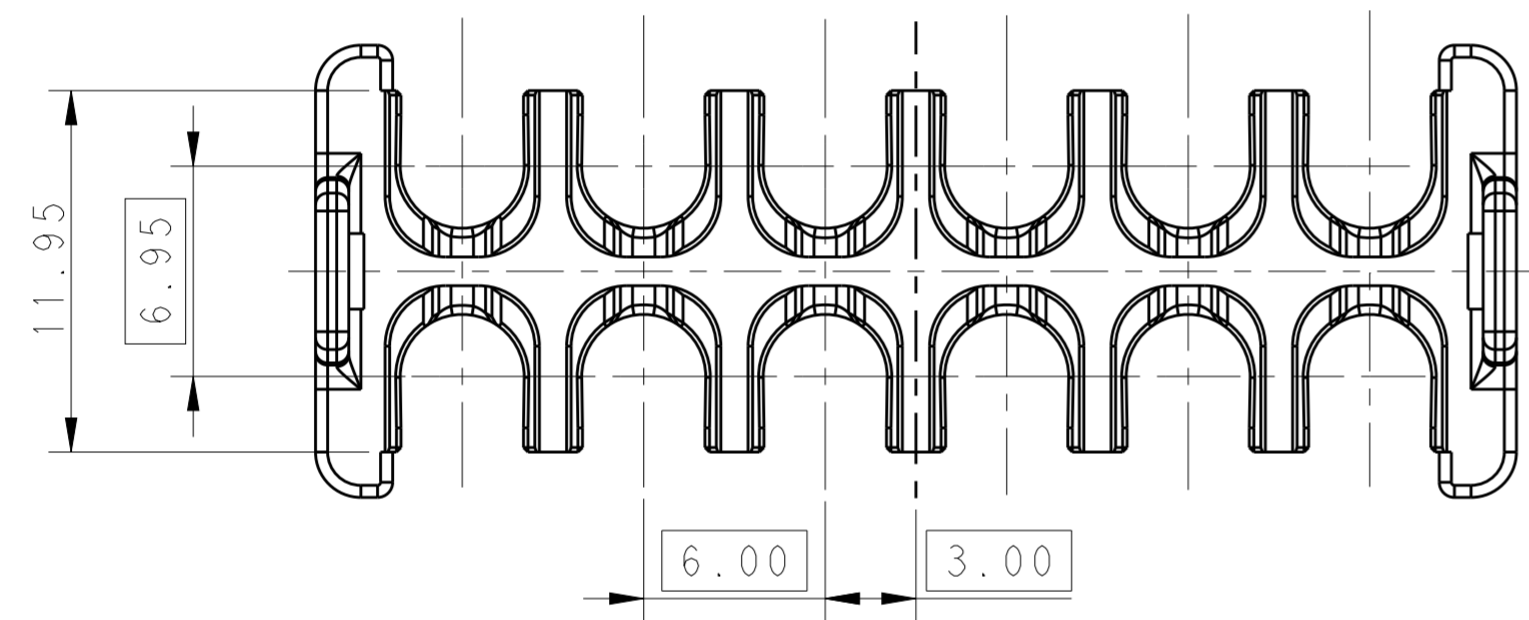


THIS DRAWING IS UNPUBLISHED. RELEASED FOR PUBLICATION 20  
© COPYRIGHT 20 BY - ALL RIGHTS RESERVED.

LOC		DIST		REVISIONS			
P	LTR	DESCRIPTION	DATE	DWN	APVD		
	A	RELEASE DRAWING	04FEB2013	T.W	YH.M		
	A1	ECR-13-005295	11APR2013	T.W	YH.M		

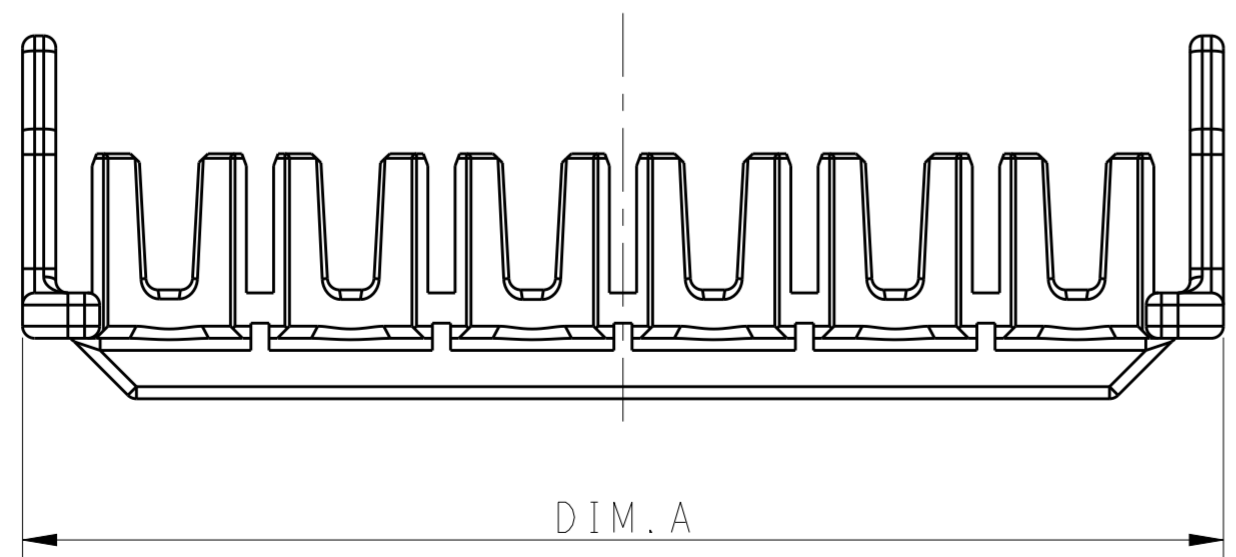


POS.	DIM.A	DIM.B
2*6	39.70	37.5
2*5	33.70	31.5
2*4	27.70	25.5
2*3	21.70	19.5



- NOTE
- MATERIAL:  
LEVEL 1: NYLON, HIGH TEMPERATURE 150°C  
COLOR: BLACK  
LEVEL 2: PBT, HWT  
COLOR: NATURAL
  - MATING CONN, P/N  
CAP HSG: \*-1971\*7\*-\*/\*-22322\*\*\*-\*/\*-22323\*\*\*-  
PLUG HSG: \*-1971\*7\*-\*/\*-22322\*\*\*-\*/\*-22323\*\*\*-\*
  - PRODUCT SPEC: 108-106118
  - APPLICATION SPEC: 114-106118

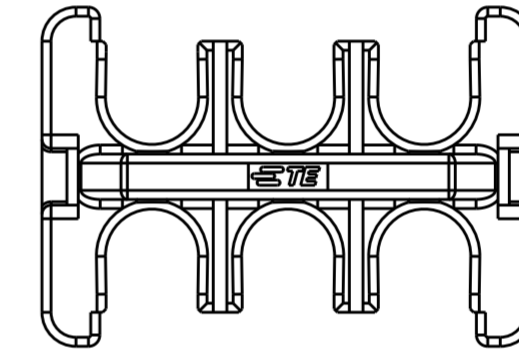
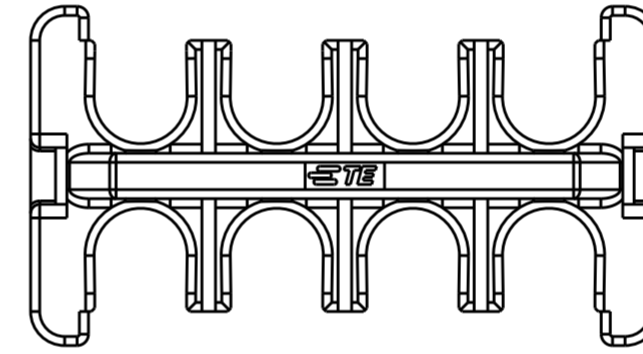
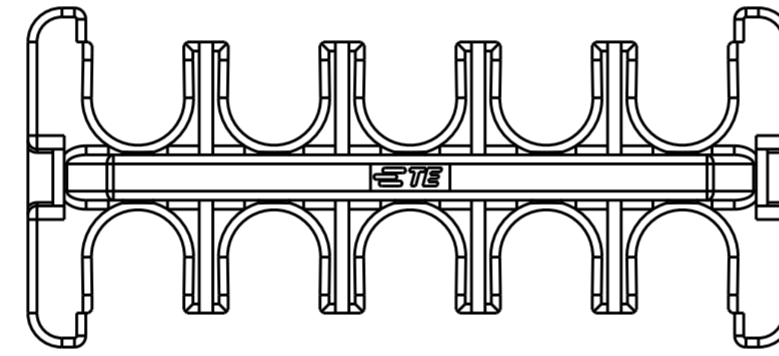
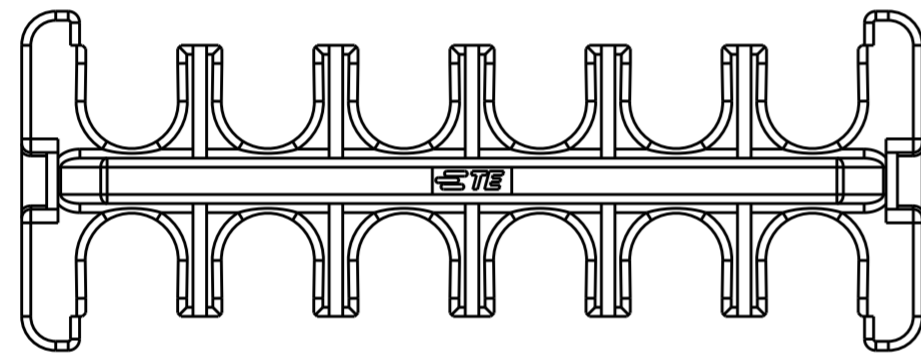
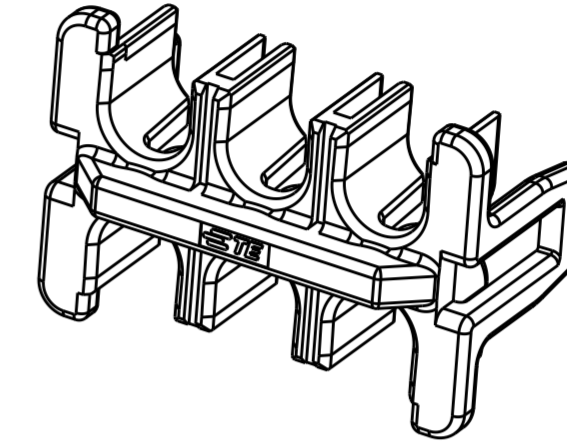
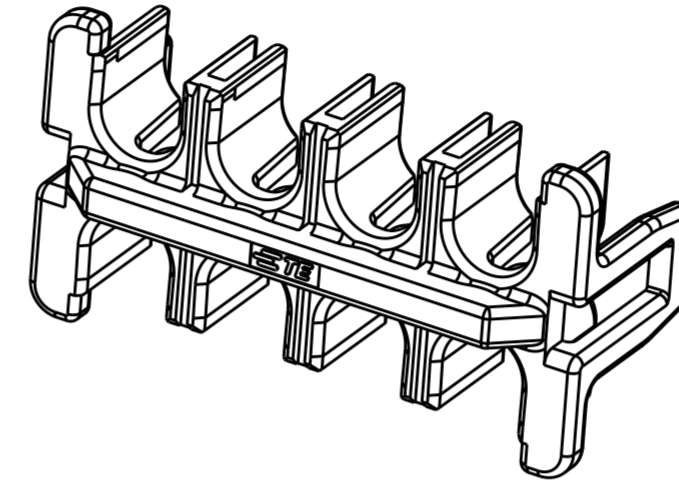
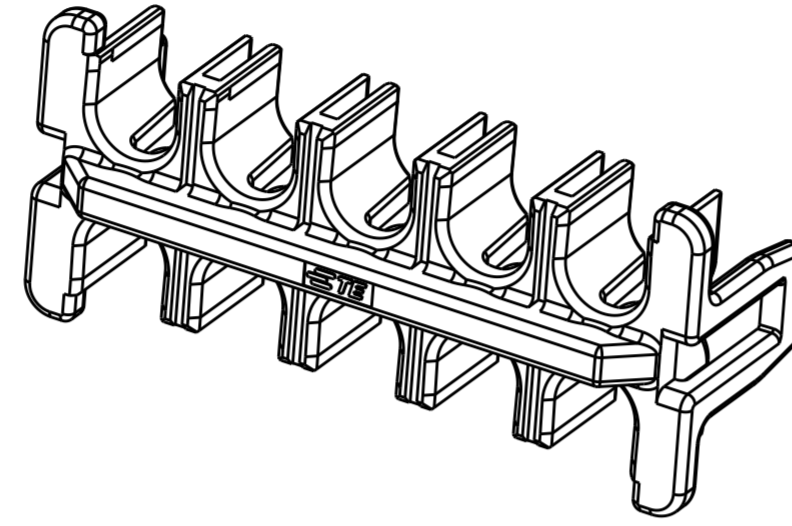
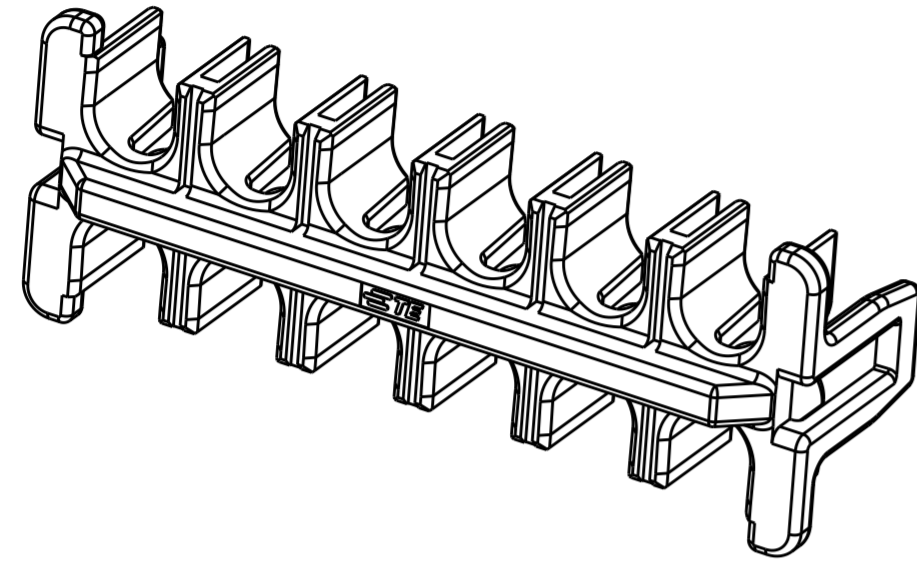
1. This product has not completed validation testing.



THIS DRAWING IS A CONTROLLED DOCUMENT.		DWN TOMMY WU 09JUL2012	<b>STE</b> TE Connectivity			
		CHK HAPYE WU 09JUL2012				
		APVD YUHONG MAO 09JUL2012	NAME DOUBLE LOCK PLATE, DOUBLE ROW POWER TRIPLE LOCK			
DIMENSIONS: mm		PRODUCT SPEC 108-106118	SIZE A2	CAGE CODE 00779	DRAWING NO. 1971778	RESTRICTED TO -
TOLERANCES UNLESS OTHERWISE SPECIFIED:		APPLICATION SPEC 114-106118	SCALE -		SHEET 1 OF 2	REV A1
0 PLC ± -		WEIGHT -	Customer Drawing			
1 PLC ±0.35						
2 PLC ±0.25						
3 PLC ± -						
4 PLC ± -						
ANGLES ± -						
FINISH						

THIS DRAWING IS UNPUBLISHED. RELEASED FOR PUBLICATION 20  
 © COPYRIGHT 20 BY - ALL RIGHTS RESERVED.

LOC		DIST		REVISIONS			
P	LTR	DESCRIPTION	DATE	DWN	APVD		
-	-	SEE SHEET 1	-	-	-		



2\*6 POSITIONS

2\*5 POSITIONS

2\*4 POSITIONS

2\*3 POSITIONS

2*6	LEVEL 1	1971778-6
2*5	LEVEL 1	1971778-5
2*4	LEVEL 1	1971778-4
2*3	LEVEL 1	1971778-3
	LEVEL 2	2-1971778-3
POS.	MATERIAL	P/N

THIS DRAWING IS A CONTROLLED DOCUMENT.		DWN TOMMY WU 09JUL2012	TE Connectivity	
DIMENSIONS: mm		CHK HAPYE WU 09JUL2012		
TOLERANCES UNLESS OTHERWISE SPECIFIED:		APVD YUHONG MAO 09JUL2012	NAME DOUBLE LOCK PLATE, DOUBLE ROW POWER TRIPLE LOCK	
0 PLC ± 1 PLC ±0.35 2 PLC ±0.25 3 PLC ± 4 PLC ± ANGLES ± FINISH		PRODUCT SPEC 108-106118	RESTRICTED TO	
MATERIAL		APPLICATION SPEC 114-106118	SIZE A2	CAGE CODE 00779
		WEIGHT	DRAWING NO. C-1971778	SCALE
		Customer Drawing	SHEET 2 OF 2	REV A1