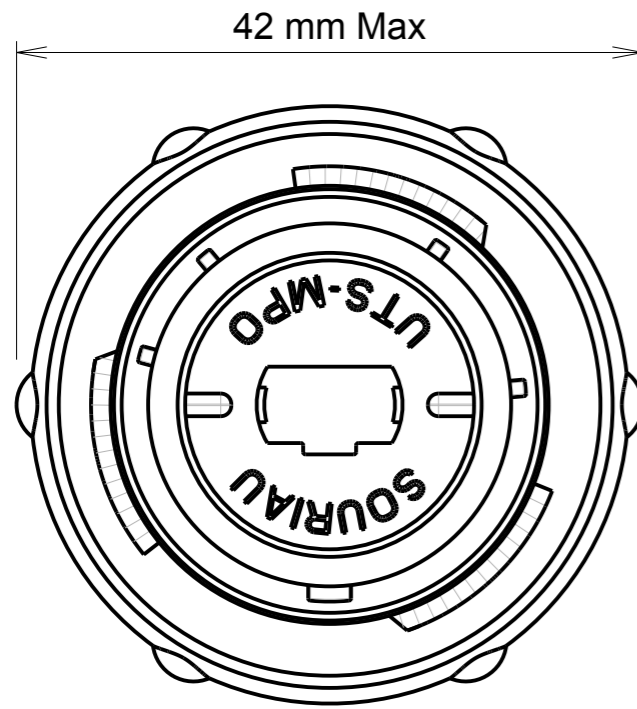
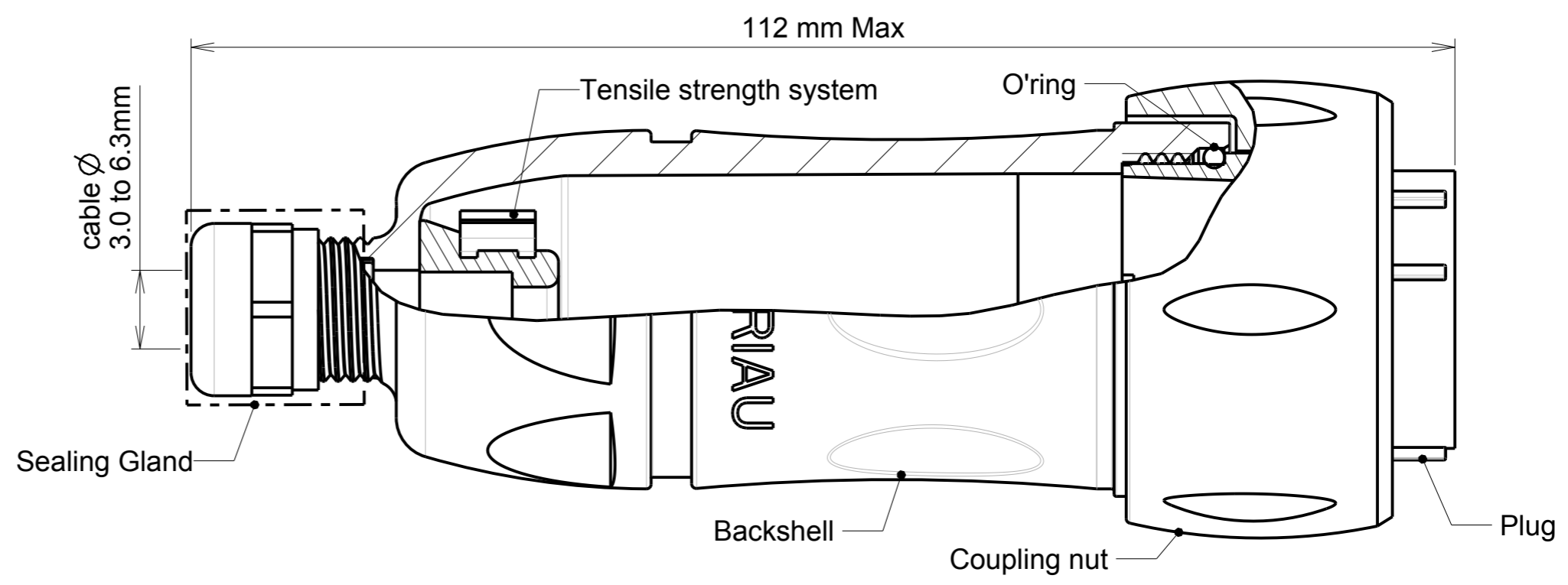


b : 0 ; IW



42 mm Max



112 mm Max

cable Ø
3.0 to 6.3mm

Sealing Gland

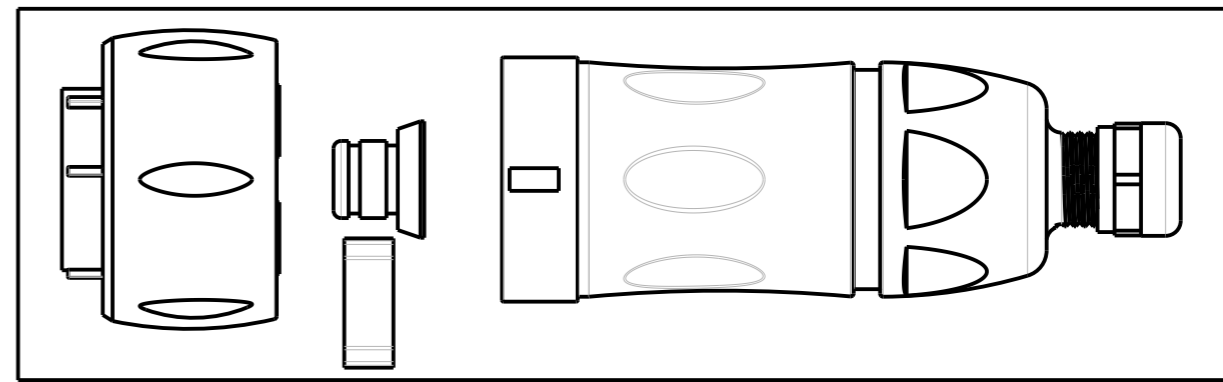
Tensile strength system

O'ring

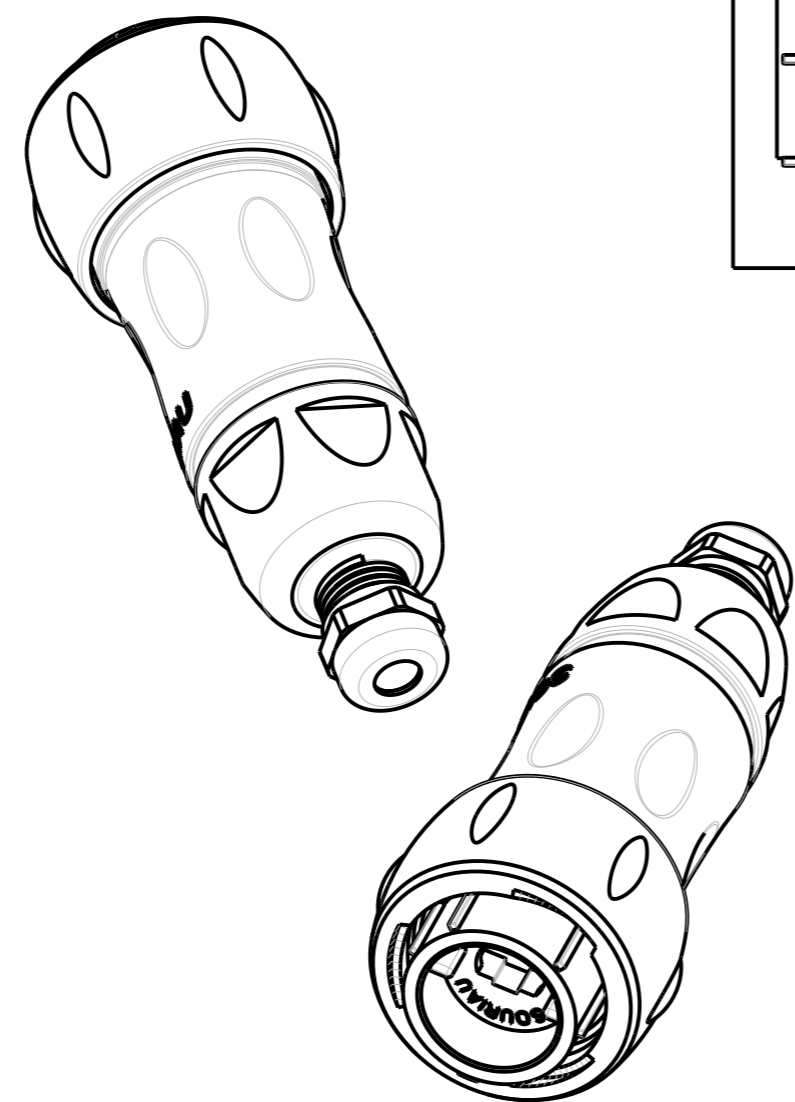
Backshell

Coupling nut

Plug



SCALE 1/1



MATERIAL :
 Plug : Plastic
 Backshell : Plastic
 O'ring : Silicone
 Coupling nut : Plastic
 Sealing gland : Plastic

PACKAGING (in a plastic bag) :
 - 1 mounted plug
 - 1 backshell with sealing gland
 - 1 tensile strength kit

TENSILE STRENGTH SYSTEM :
 - See the drawing : UTS19004A-C01

P/N		UTS6JC18MPN	
b	06/03/14	- Reworking of the UTS LC MPO (standard version) folder : Distribution 23434 - Update of the drawing : Accepted range of cable Ø3.0 to 6.3 mm	23434
ISS	DATE	Latest modification - by:	MOD N°
		M.SORLIN	
Designed by:		Date:	Type of drawing:
B.MONCELET		:13/11/12	CUSTOMER
Checked by:		Date:	
SEE DISTRIBUTION LIST		SEE DISTRIBUTION LIST	
TITLE		Cable plug size 18 with insert and backshell to accept 1 MPO contact / Unitbox	
Scale	General angular	MATERIAL --	
2/1	Tolerances: ± 1°	--	
	General linear	General machining surface texture	Geometrical Tolerances
	Tolerances : ±0.1		See NF EN ISO 1101
		PROJECT	
		IC123611	
		This document is the property of SOURIAU It must not be reproduced or communicated without permission	
FORMAT	DRAWING REFERENCE		SHEET
A3	UTS6JC18MPN-C01		1 / 1