

|                                 |           |           |  |  |         |      |     |      |
|---------------------------------|-----------|-----------|--|--|---------|------|-----|------|
| MATED WITH:<br>PASSEND ZU:<br>- | LOC<br>AI | DIST<br>- | REVISIONS<br>ÄNDERUNGEN<br>DESCRIPTION<br>BESCHREIBUNG |  |         | DATE | DWN | APVD |
| PROJEKT NR.: -                  |           | B2        | REVISED PER ECO-11-005150                              |  | 21MAR11 | RK   | HMR |      |

Customer Drawing  
for PN 964294


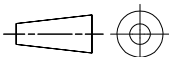
SEE 1355364

RELEASED FOR PUBLICATION  
 FREI FÜR VERÖFFENTLICHUNG  
 ALL RIGHTS RESERVED.  
 ALLE RECHTE VORBEHALTEN

THIS DRAWING IS UNPUBLISHED.  
 VERTRAULICHE UNVERÖFFENTLICHTE ZEICHNUNG.

COPYRIGHT - By -

| -                | -       | -    | -    | -        | -             | -           |
|------------------|---------|------|------|----------|---------------|-------------|
| CUSTOMER PART NO | PART NO | REV. | PCS. | MATERIAL | SURFACE COLOR | DESCRIPTION |

|  |   |           |  |           |                              |                          |
|--|---|-----------|--|-----------|------------------------------|--------------------------|
| DIMENSIONS:<br>DIMENSIONEN<br>mm   | DWN<br>T.Bersch                             | 27-MAY-98 | MATERIAL   | -         | FINISH<br>OBERFLÄECHE/FARBE  | -                        |
|  | CHK<br>-                                    | -         |  TE Connectivity |           |                              |                          |
| TOLERANCES UNLESS<br>OTHERWISE SPECIFIED:<br>ALLGEMEINTOLERANZEN<br>n. ISO 8015<br>p. p. ISO 2768 - mH -E<br>DIN 16901 - 140 | APVD<br>-                                   | -         |  |           |                              |                          |
| 0 PLC ± -<br>1 PLC ± -<br>2 PLC ± -<br>3 PLC ± -<br>4 PLC ± -<br>ANGLES/WINKEL ± -   | PRODUCT SPEC<br>PRODUKTSPEZ.<br>-           |           | SIZE   | CAGE CODE | DRAWING NO<br>ZEICHNUNGS-NR. | RESTRICTED TO<br>NUR FÜR |
|    | APPLICATION SPEC<br>VERARBEITUNGSSPEZ.<br>- |           | A4   | 00779     | C-964294                     | -                        |
|  | WEIGHT<br>GEWICHT<br>-                      |           | CUSTOMER DRAWING / KUNDENZEICHNUNG   |           |                              | SCALE<br>MASSSTAB<br>-   |
|  |   |           | SHEET<br>BLATT   | 1         | OF<br>VON                    | 1                        |
|  |   |           |  |           | REV                          | B2                       |