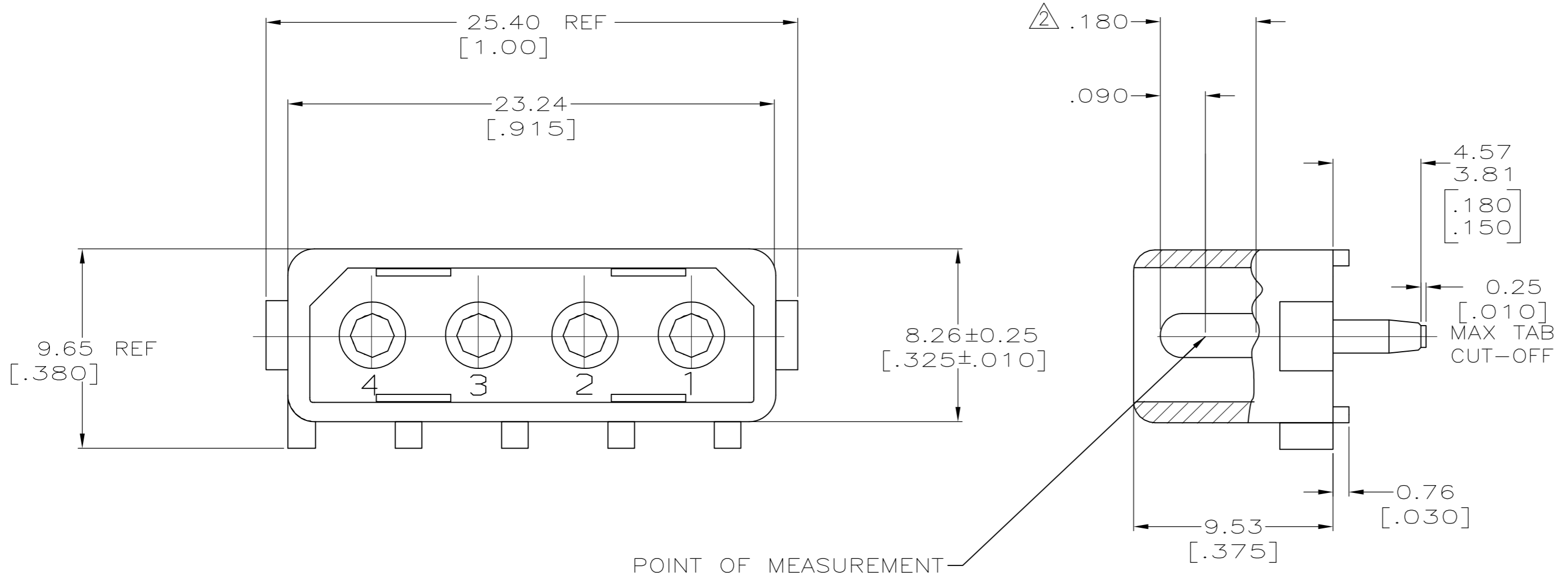
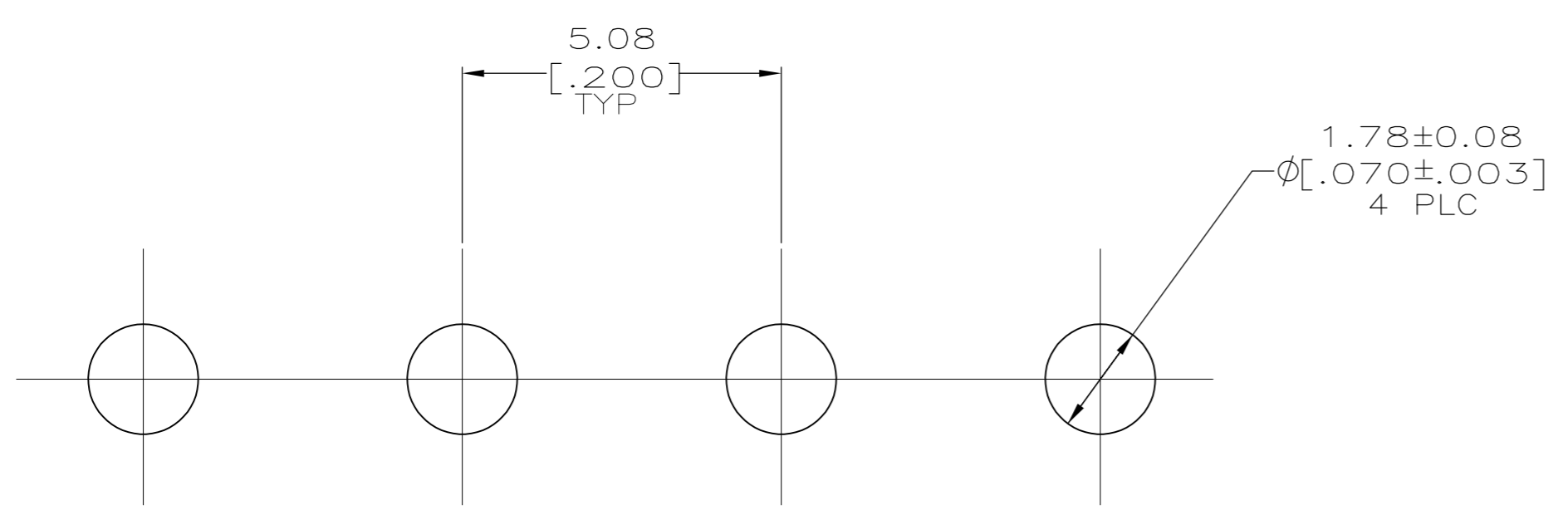


THIS DRAWING IS UNPUBLISHED. RELEASED FOR PUBLICATION  
 © COPYRIGHT - By - ALL RIGHTS RESERVED.

LOC		DIST		REVISIONS			
P	LTR	DESCRIPTION		DATE	DWN	APVD	
CM	00	U2		REVISED PER ECO-11-004587	11MAR11	RK	HMR
		U3		REVISED PER ECR-13-008342	28OCT13	AV	RP



- PARTS MUST COMPLY WITH TE SOLDERABILITY SPECIFICATION 109-11-3.
- CONTACT IS PLATED OVERALL WITH 0.00127 [.000050] NICKEL, THEN 0.00076 [.000030] GOLD OVER CONTACT LENGTH INDICATED AND TIN PLATED ON SOLDER TAIL END.
- DIMENSIONS IN BRACKETS ARE IN INCHES.



PHOS BRZ, TIN LEAD	NYLON, UL94V-2	350211-3
	NYLON, UL94V-2	350211-2
PHOS BRZ, PRE-TIN	NYLON, UL94V-2	350211-1
PIN CONTACT MATERIAL & FINISH	HOUSING MATERIAL & COLOR	PART NUMBER

THIS DRAWING IS A CONTROLLED DOCUMENT.		DWN	27MAY2005	TE Connectivity	
DIMENSIONS: mm [INCHES]		CHK	27MAY2005		
TOLERANCES UNLESS OTHERWISE SPECIFIED:		APVD	27MAY2005		
0 PLC ± -		PRODUCT SPEC			
1 PLC ± -		APPLICATION SPEC			
2 PLC ± 0.38 [.015]		WEIGHT	-	SIZE	A2
3 PLC ± -		FINISH	SEE TABLE	CAGE CODE	00779
4 PLC ± -				DRAWING NO	C=350211
ANGLES ± 0°30'				RESTRICTED TO	-
MATERIAL SEE TABLE		CUSTOMER DRAWING		SCALE	5:1
				SHEET	1 of 1
				REV	U3

