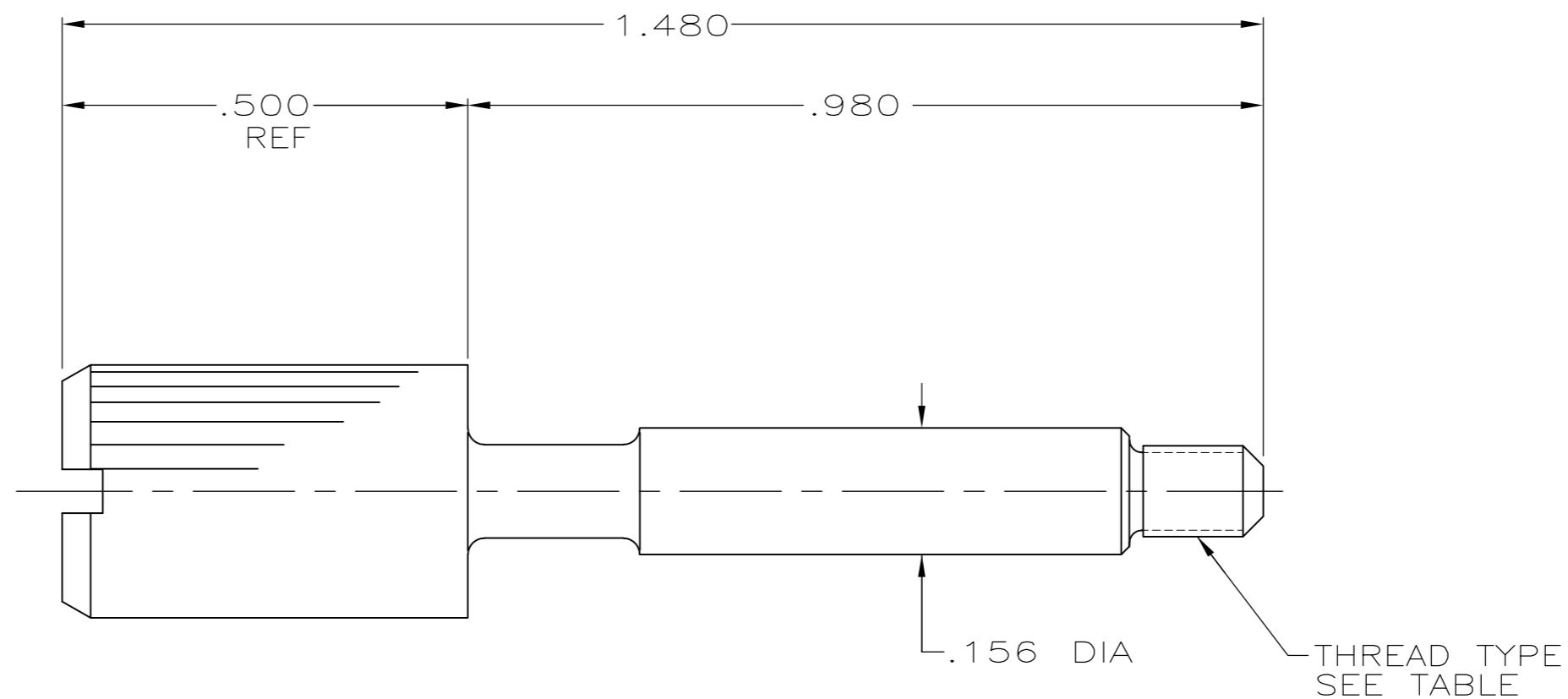
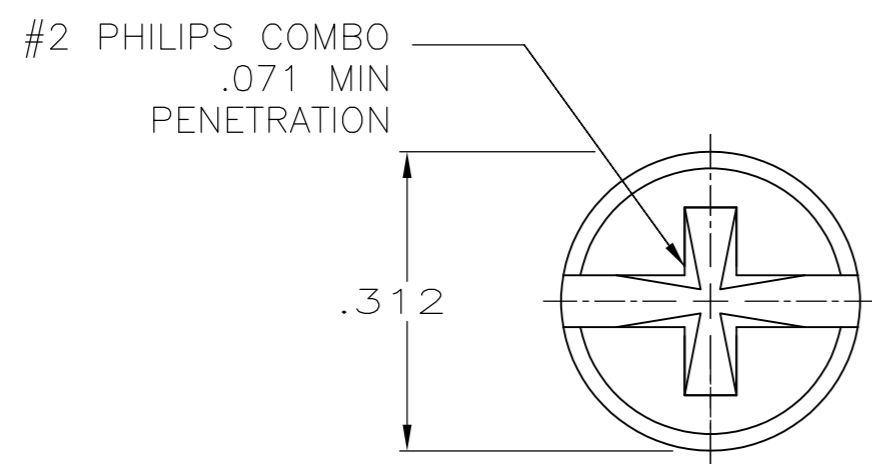


THIS DRAWING IS UNPUBLISHED. RELEASED FOR PUBLICATION  
 © COPYRIGHT - By - ALL RIGHTS RESERVED.

LOC		DIST		REVISIONS			
GP	00	P	LTR	DESCRIPTION	DATE	DWN	APVD
		P		REVISED PER ECO-14-010095	02JUL2014	CJV	PAR



- 1 C 1022 CARBON STEEL.
- 2 NICKEL ZINC TRIVALENT BLACK.

OBSOLETE	M2.6 X 0.45	748627-8
OBSOLETE	M3 X 0.5	748627-4
	#4-40	748627-2
	THREAD TYPE	PART NUMBER

THIS DRAWING IS A CONTROLLED DOCUMENT.		DWN	B. MCMASTER	26FEB04
DIMENSIONS: INCHES		CHK	C. ROHDE	26FEB04
TOLERANCES UNLESS OTHERWISE SPECIFIED:		APVD	M. WALMSLEY	26FEB04
0 PLC ± -		PRODUCT SPEC	NAME	
1 PLC ± -		APPLICATION SPEC	JACKSCREW, LARGE HEAD, SHIELDING ENCLOSURE, AMPLIMITE	
2 PLC ± -		WEIGHT	SIZE	CAGE CODE
3 PLC ± .005			A2	00779
4 PLC ± -		CUSTOMER DRAWING	DRAWING NO	748627
ANGLES ± -		SCALE	5:1	SHEET
FINISH		RESTRICTED TO	1 of 1	REV
MATERIAL				P

748627