

THIS DRAWING IS UNPUBLISHED.

RELEASED FOR PUBLICATION

-. -. .

LOC

DIST

REVISIONS

© COPYRIGHT 2012 By Tyco Electronics Japan G.K.

ALL RIGHTS RESERVED.

P

LTR

DESCRIPTION

DATE

DWN

APVD

D

REVISED

27JUN2012

H.M

N.Y

注記

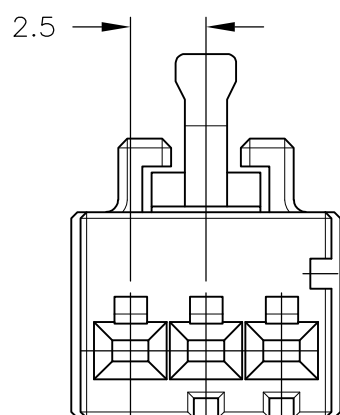
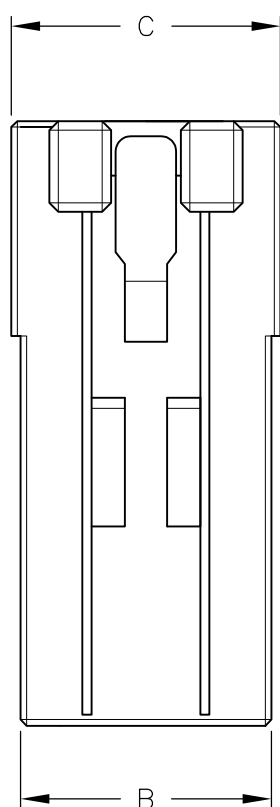
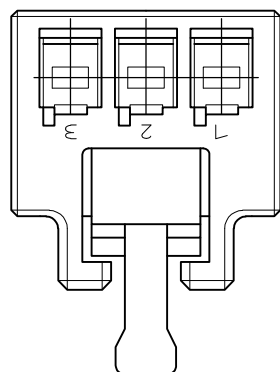
① 材料:ハウジング:ガラス入り熱可塑性ポリエステル樹脂(94V-0)
色:1-/2-/3/:黒,9/:白

② ハウジング全面にテフロン塗装のこと

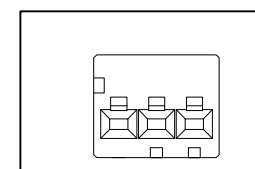
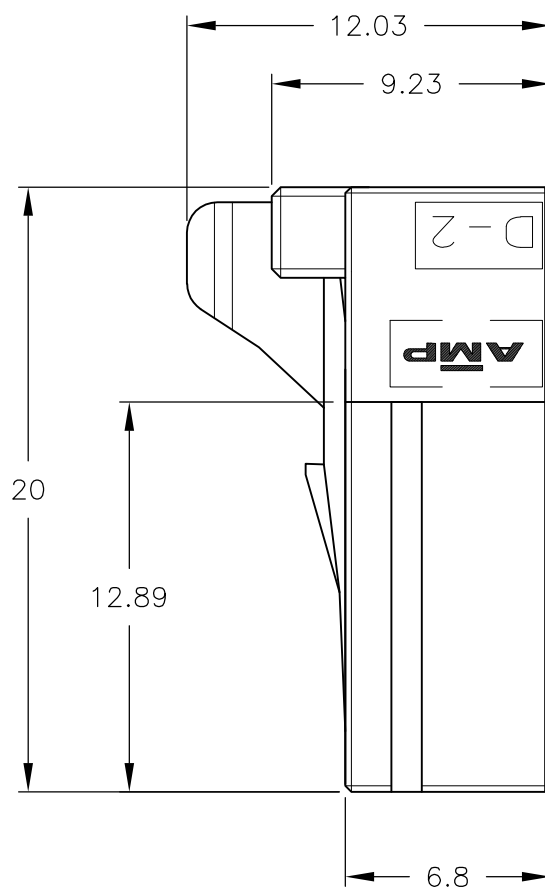
NOTES

① MATERIAL:HOUSING:GLASS FILED THERMO PLASTIC
POLYESTER(94V-0)
COLOR:1-/2-/3/: BLACK
: 9- :NATURAL

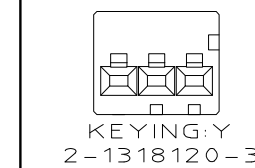
② TO COAT ALL SURFACE OF HOUSING WITH TEFLON



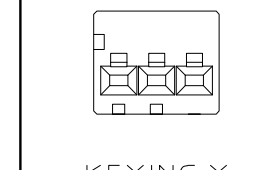
2.5XN=A



KEYING:Z
3-1318120-3



KEYING:Y
2-1318120-3
9-1318120-3



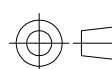
KEYING:X
1-1318120-3

OBSOLETE

	8.9	8.3	5	2	3	9-1318120-3
	8.9	8.3	5	2	3	3-1318120-3
②	8.9	8.3	5	2	3	5-1318120-3
	8.9	8.3	5	2	3	2-1318120-3
-	8.9	8.3	5	2	3	1-1318120-3
FINISH	C	B	A	N	POS	PART NUMBER

THIS DRAWING IS A CONTROLLED DOCUMENT.

DIMENSIONS:
mm



TOLERANCES UNLESS OTHERWISE SPECIFIED:

0 PLC	±0.3
1 PLC	±0.35
2 PLC	±0.4
3 PLC	±0.4
4 PLC	±0.4
ANGLES	±3°

MATERIAL



FINISH

DWN 07DEC1998

K.IKEDA

CHK 07DEC1998

N.MATSUBARA

APVD 07DEC1998

I.HASEGAWA

PRODUCT SPEC

108-5619

APPLICATION SPEC

114-5258

WEIGHT

CUSTOMER DRAWING

STE TE Connectivity

SINGLE ROW REC HSG
DYNAMIC D-2100D

NAME				RESTRICTED TO
SIZE	CAGE CODE	DRAWING NO		
A3	00779	C-1318120		

SCALE 4:1 SHEET 1 OF 1 REV D