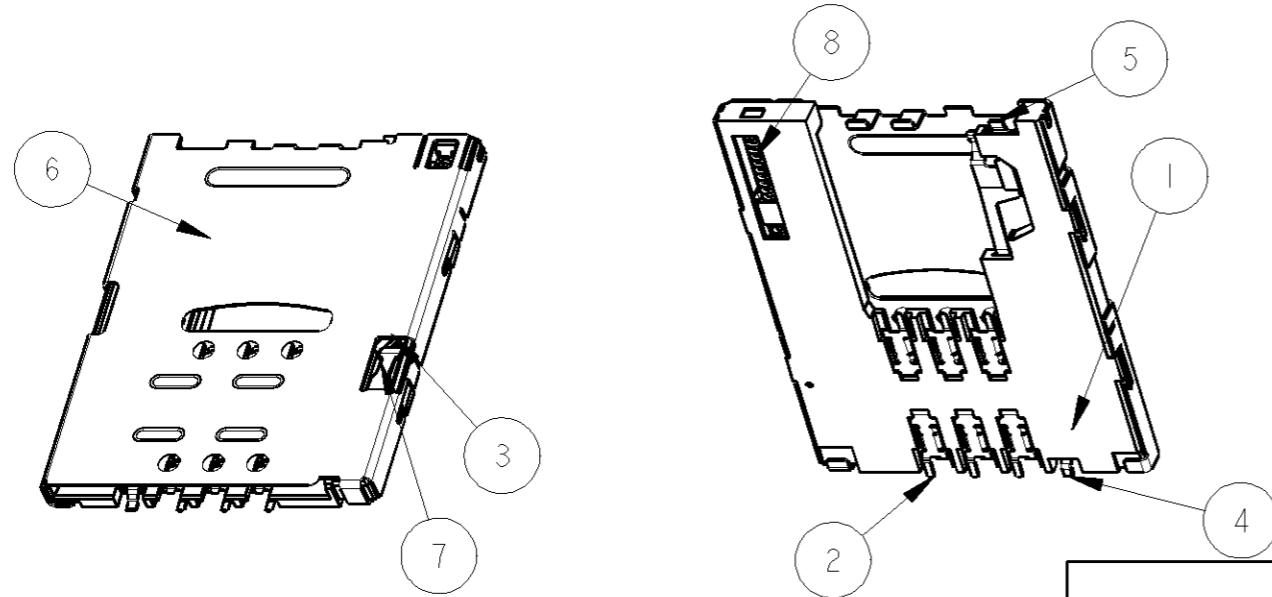
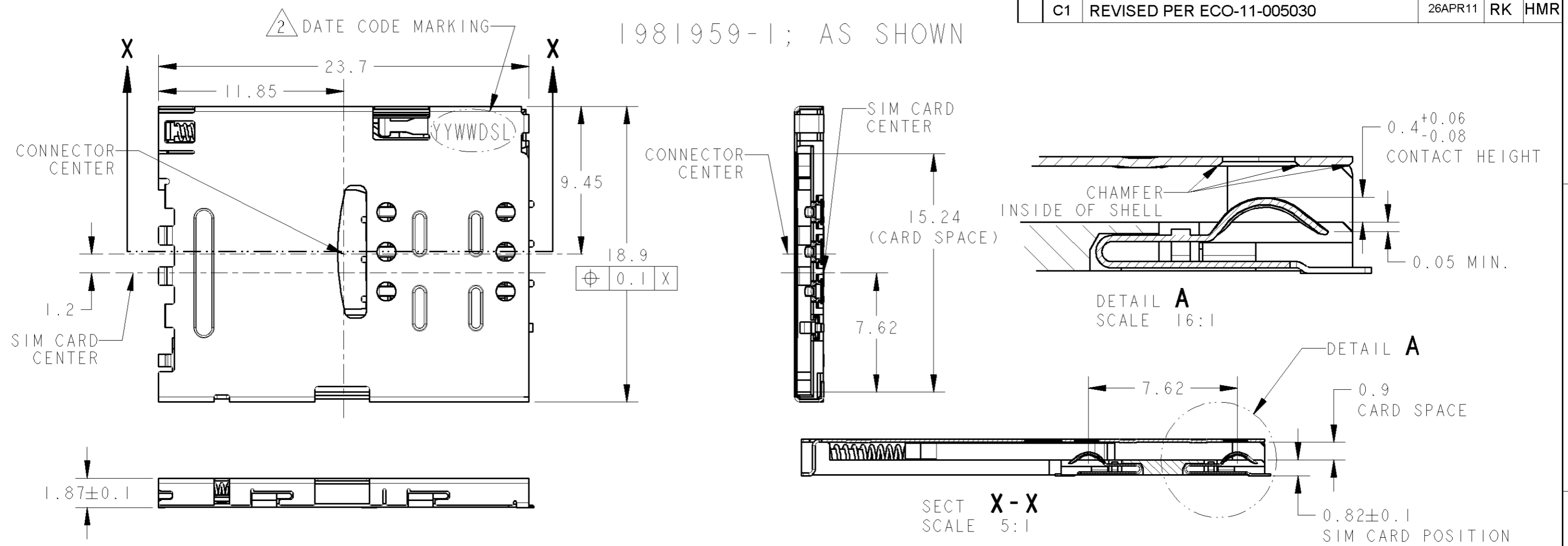


THIS DRAWING IS UNPUBLISHED. RELEASED FOR PUBLICATION
 © COPYRIGHT - BY - ALL INTERNATIONAL RIGHTS RESERVED.

LOC	DIST	REVISIONS					
J		P	LTR	DESCRIPTION	DATE	DWN	APVD
				C1 REVISED PER ECO-11-005030	26APR11	RK	HMR

1981959-1; AS SHOWN



1	—	STEEL WIRE	COIL SPRING	8
1	—	STAINLESS	CAM ROD	7
1	ALL OVER Ni: 1um MIN SOLDERING AREA; MATTE TIN PLATING	COPPER ALLOY	SHELL	6
1	ALL OVER Ni: 1um MIN CONTACT AREA; Au 0.05um MIN SOLDERING AREA; TIN PLATING	COPPER ALLOY	SWITCH B	5
1	ALL OVER Ni: 1um MIN CONTACT AREA; Au 0.05um MIN SOLDERING AREA; TIN PLATING	COPPER ALLOY	SWITCH A	4
1	COLOR; BLACK	LCP	SLIDER	3
6	ALL OVER Ni: 1um MIN CONTACT AREA; Au 0.4um MIN SOLDERING AREA; Au 0.05um MIN	COPPER ALLOY	CONTACT	2
1	COLOR; BLACK	LCP	HOUSING	1
QTY	FINISH	MATERIAL	DESCRIPTION	ITEM

1. CONNECTOR INITIAL COPLANARITY; 0.1mmMAX.

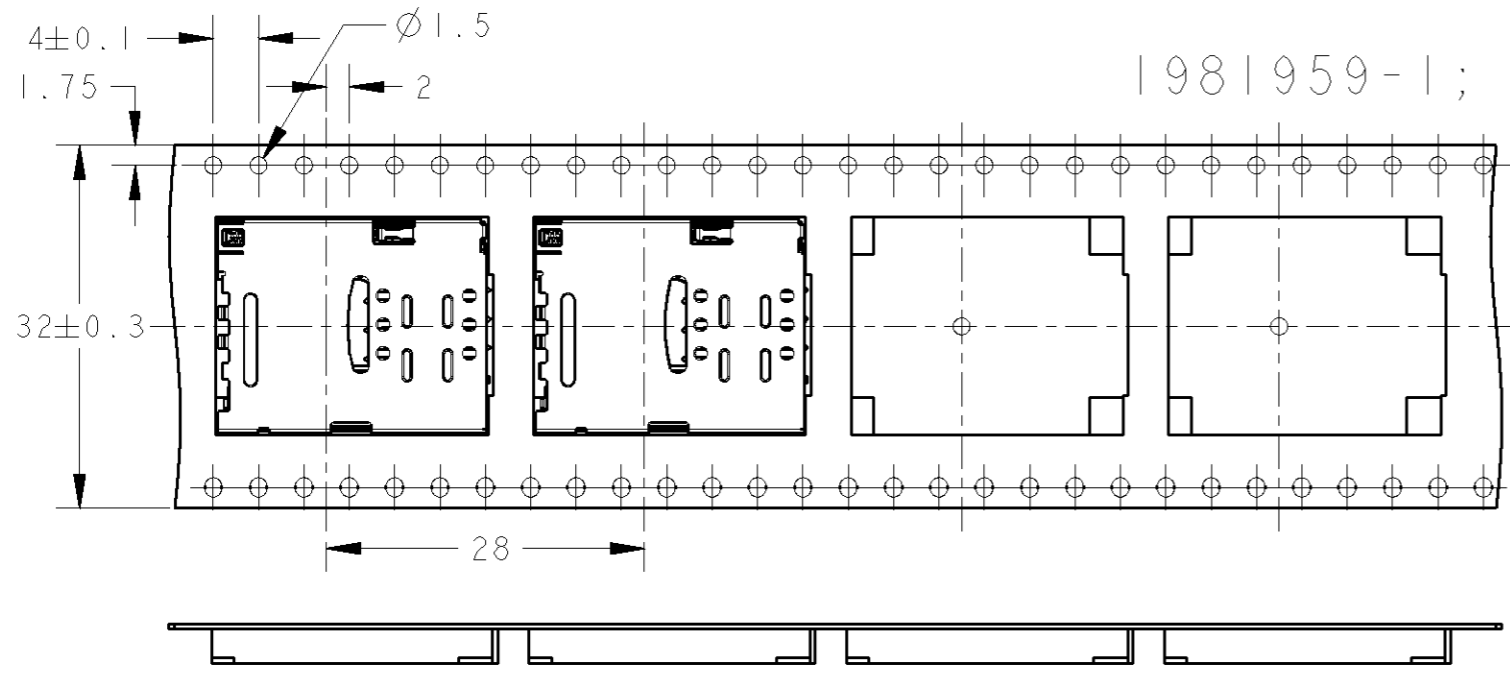
2. MARK DATE CODE

DWN 02NOV2007 C. OHASHI		TE TE Connectivity	
CHK 02NOV2007 Y. NAKAZAWA			
APVD 08NOV2007 T. FUJATSUGI		NAME 名称	
PRODUCT SPEC 製品規格 108-78454		SIM CONNECTOR PUSH-PUSH TYPE HI.87 WITH SWITCH	
APPLICATION SPEC 取付適用規格		SIZE	CAGE CODE
MATERIAL 材料 SEE TABLE		A300779	DRAWING NO 番号 C=1981959
FINISH 仕上 SEE TABLE		WEIGHT 重量 1.2g	RESTRICTED TO
CUSTOMER DRAWING		SCALE 尺度 4:1	SHEET 1 OF 4 REV C1

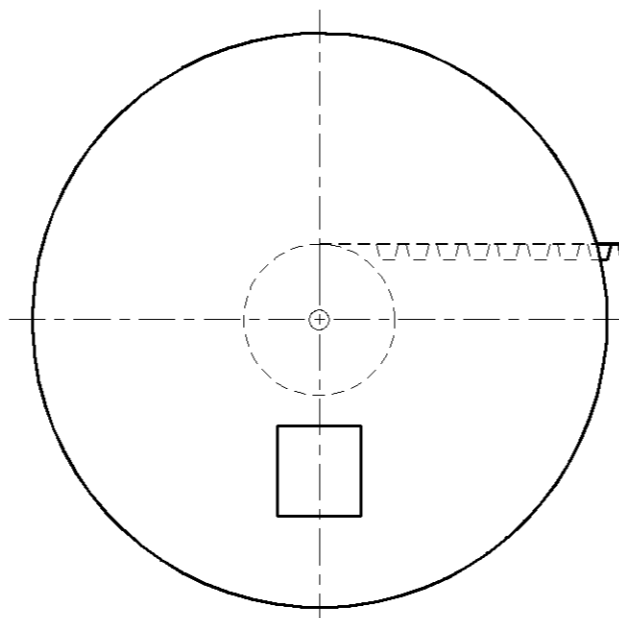
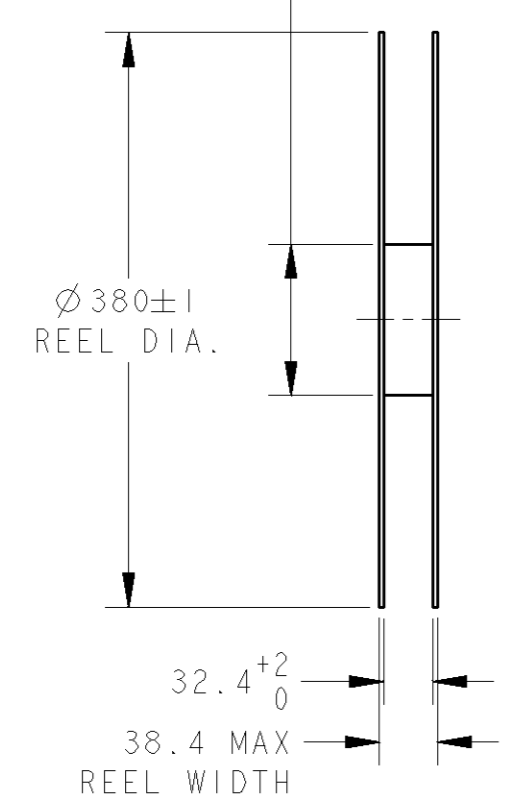
THIS DRAWING IS UNPUBLISHED. RELEASED FOR PUBLICATION
 © COPYRIGHT - BY - ALL INTERNATIONAL RIGHTS RESERVED.

LOC		DIST		REVISIONS		
J				変更		
P	LTR	DESCRIPTION	DATE	DWN	APVD	
-	-	SEE SHEET 1	-	-	-	

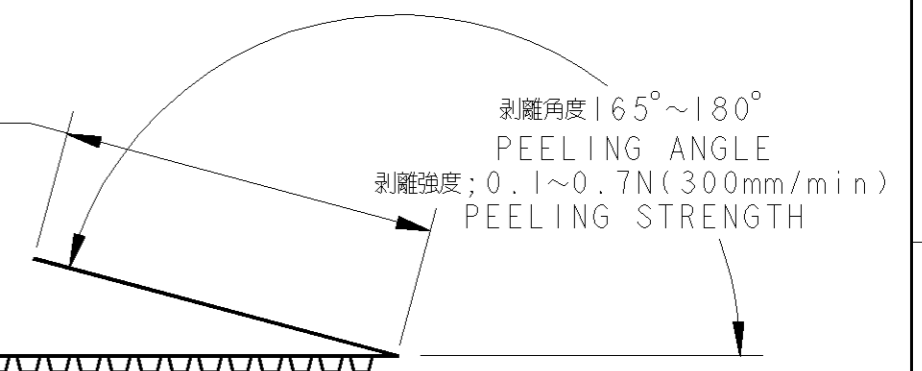
1981959-1; AS SHOWN



FRANGE CORE DIA
 Ø100±1



300 REF
 カバーテープリーダ部
 WEEDING THE COVER TAPE



製品装填部
 WITH PRODUCT CHARGE
 800個/1リール
 800EA/1REEL

空部 7~10穴
 WITHOUT CHARGE
 7~10HOLES

300 REF
 空部
 WITHOUT CHARGE

DWN 02NOV2007 C. OHASHI		TE TE Connectivity	
CHK 02NOV2007 Y. NAKAZAWA			
APVD 08NOV2007 T. FUJITSUGI		NAME 名称 SIM CONNECTOR PUSH-PUSH TYPE HI.87 WITH SWITCH	
DIMENSIONS: 単位: ㎜ mm TOLERANCES UNLESS OTHERWISE SPECIFIED: 一般公差 ±0.2		PRODUCT SPEC 製品規格 108-78454	
0-PLC ± 1-PLC ± 2-PLC ± 3-PLC ± 4-PLC ± ANGLES ±		APPLICATION SPEC 取付適用規格	
MATERIAL 材料 SEE TABLE		WEIGHT 1.2g	
FINISH 仕上 SEE TABLE		SIZE A3 CAGE CODE 00779 DRAWING NO. 1981959	
CUSTOMER DRAWING		SCALE 尺度 4:1 SHEET 2 OF 4 REV C1	

LOC
J

DIST

REVISIONS

P

LTR

DESCRIPTION

DATE

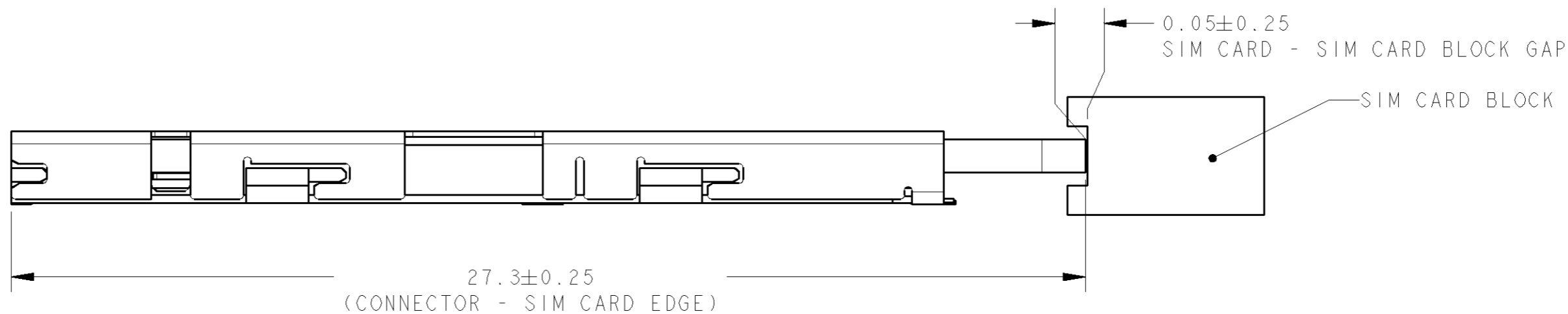
DWN

APVD

SEE SHEET 1

FOR ENGINEERING EVALUATION

*THERE IS NO SIM CARD LOCK IN THIS CONNECTOR.
PLEASE HOLD THE CARD EDGE AS SHOWN IN THE FIGURE BELOW AT TIME OF USE.



DIMENSIONS: 単位: 概 mm		TOLERANCES UNLESS OTHERWISE SPECIFIED: 一般公差 ±0.25		DWN 02NOV2007 C.OHASHI			
		0-PLC ± 1-PLC ± 2-PLC ± 3-PLC ± 4-PLC ± ANGLES ±		CHK 02NOV2007 Y.NAKAZAWA		NAME 名称 SIM CONNECTOR PUSH-PUSH TYPE HI.87 WITH SWITCH	
MATERIAL 材料 SEE TABLE		FINISH 仕上 SEE TABLE		APVD 08NOV2007 T.FUJATSUGI		SIZE A300779	
				PRODUCT SPEC 製品規格 108-78454		DRAWING NO 番号 C=1981959	
				APPLICATION SPEC 取付適用規格		RESTRICTED TO	
				WEIGHT 1.2g		SCALE 尺度 4:1	
				CUSTOMER DRAWING		SHEET 4 OF 4	
						REV C1	