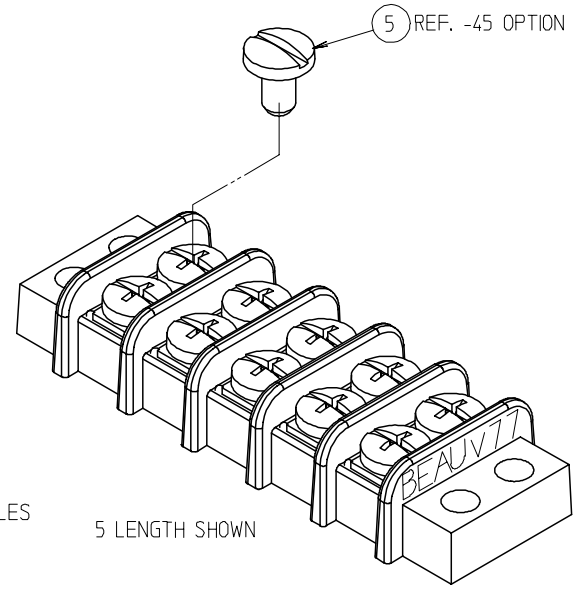
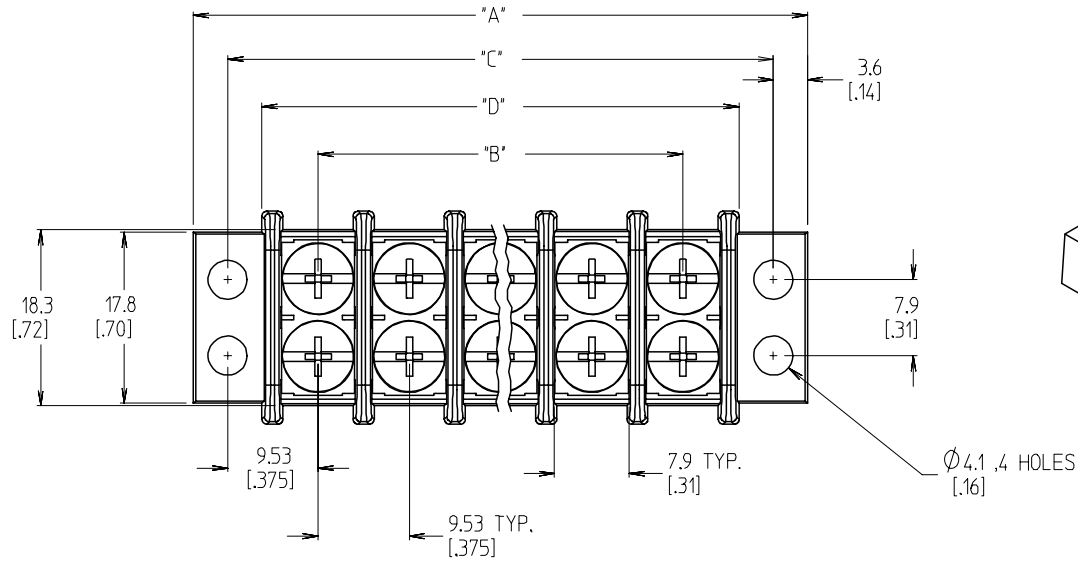
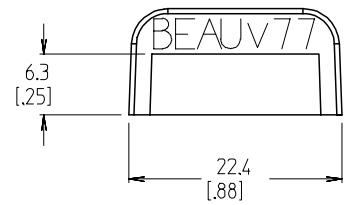
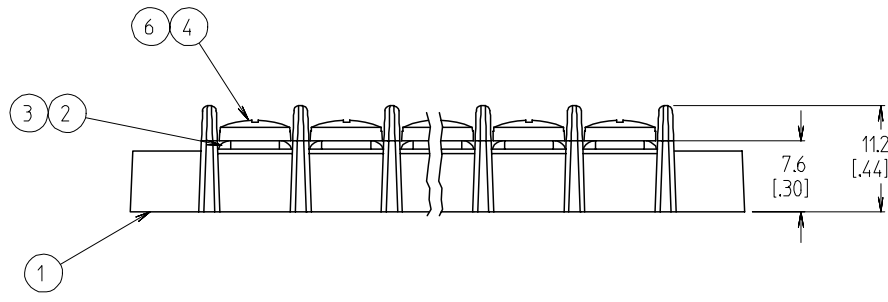


REF. -50 OPT. SCREW
(WHERE APPLICABLE)



5 LENGTH SHOWN



NOTES:

1. MATERIAL: SEE TABLE
2. FINISHES: SEE TABLE
3. INCH DIMS ARE SHOWN IN BRACKETS [XXX]
4. 'XX' REFERS TO THE QUANTITY OF CIRCUITS.
5. -61 OPTION: ONE ROW OF SCREWS NOT SUPPLIED. SCREW QUANTITY = 'XX'.
6. -49 OPTION: USE ITEM 3 TERMINAL PLATE. ALL OTHERS USE ITEM 2.
7. -58 OPTION: NO SCREWS SUPPLIED.
8. ALL COMPONENTS ARE ROHS COMPLIANT.

7	XX*2	SCREW&WASHER, #6-32X.250, PAN, PHIL-SLOT (-50 & -50-61)	STEEL	ZNC W/CHROMATE
6	XX*2	SCREW, #6-32X.250, BHD, PHIL-SLOT (-49)	BRASS	NICKEL PLATE
5	XX*2	SCREW, #6-32X.250, BHD, SLOT (-45)	STEEL	ZNC W/CHROMATE
4	XX*2	SCREW, #6-32X.250, BHD, PHIL-SLOT (STD & -61)	STEEL	ZNC W/CHROMATE
3	XX	TERMINAL PLATE, TIN PLATED (SEE NOTE 6)	BRASS	TIN PLATE
2	XX	TERMINAL PLATE, NICKEL PLATED	BRASS	NICKEL PLATE
1	1	INSULATOR	PBT	BLACK
ITEM	QTY.	DESCRIPTION	MATERIAL NO.	ENGINEERING NO.

INITIAL RELEASE EC NO: ETC2007-0061 DRWN: CYORK 2006/08/30 CHKD: JMACNEIL 2006/08/30 APPR: JMACNEIL 2006/08/31	QUALITY SYMBOLS ▽=0 ▽=0	GENERAL TOLERANCES (UNLESS SPECIFIED)		DIMENSION STYLE		SCALE	DESIGN UNITS	THIRD ANGLE PROJECTION			
			mm	INCH	MM/IN	2:1	INCH				
		4 PLACES	± .005	± .005	MM/IN	DRAWN BY		DATE	TITLE 9.53 [.375] DOUBLE ROW LOW PROFILE BTS ASSY		
		3 PLACES	± .005	± .005	MM/IN	C. YORK		2006/08/11			
2 PLACES	± 0.13	± .01	MM/IN	CHECKED BY		DATE	MATERIAL NO.				
1 PLACE	± 0.3	± .01	MM/IN	J. MACNEIL		2006/08/11				DOCUMENT NO. SD-38770-004	
ANGULAR ± 2 °				APPROVED BY		DATE	SHEET NO. 1 OF 2				
				R. DEROSS		2006/08/11				THIS DRAWING CONTAINS INFORMATION THAT IS PROPRIETARY TO MOLEX INCORPORATED AND SHOULD NOT BE USED WITHOUT WRITTEN PERMISSION	
DRAFT WHERE APPLICABLE MUST REMAIN WITHIN DIMENSIONS				SEE SHT. 2							

NO. OF CIRC. "XX"	DIM "A"		DIM "B"		DIM "C"		DIM "D"		ASSEMBLY MATERIAL NO. (STANDARD)	ASSEMBLY MATERIAL NO. (-45 OPTION)	ASSEMBLY MATERIAL NO. (-49 OPTION)	ASSEMBLY MATERIAL NO. (-50 OPTION)	ASSEMBLY MATERIAL NO. (-58 OPTION)	ASSEMBLY MATERIAL NO. (-61 OPTION)	ASSEMBLY MATERIAL NO. (-50-61 OPTION)
	mm	in	mm	in	mm	in	mm	in							
02	35.7	1.41	9.53	0.375	28.58	1.125	21.3	0.84	38770-0102	38779-0314	38770-0202	38770-0302	38770-0402	38770-0602	38779-0253
03	45.2	1.78	19.05	0.750	38.10	1.500	30.8	1.21	38770-0103	38779-0316	38770-0203	38770-0303	38770-0403	38770-0603	
04	54.7	2.16	28.58	1.125	47.63	1.875	40.3	1.59	38770-0104	38779-0318	38770-0204	38770-0304	38770-0404	38770-0604	
05	64.3	2.53	38.10	1.500	57.15	2.250	49.8	1.96	38770-0105	38779-0320	38770-0205	38770-0305	38770-0405	38770-0605	38779-0428
06	73.8	2.91	47.63	1.875	66.68	2.625	59.4	2.34	38770-0106	38779-0323	38770-0206	38770-0306	38770-0406	38770-0606	
07	83.3	3.28	57.15	2.250	76.20	3.000	68.9	2.71	38770-0107		38770-0207	38770-0307	38770-0407	38770-0607	
08	92.8	3.66	66.68	2.625	85.73	3.375	78.4	3.09	38770-0108	38779-0326	38770-0208	38770-0308	38770-0408	38770-0608	
09	102.4	4.03	76.20	3.000	95.25	3.750	87.9	3.46	38770-0109	38779-0328	38770-0209	38770-0309	38770-0409	38770-0609	38779-0431
10	111.9	4.41	85.73	3.375	104.78	4.125	97.5	3.84	38770-0110		38770-0210	38770-0310	38770-0410	38770-0610	
11	121.4	4.78	95.25	3.750	114.30	4.500	107.0	4.21	38770-0111	38779-0331	38770-0211	38770-0311	38770-0411	38770-0611	
12	130.9	5.16	104.78	4.125	123.83	4.875	116.5	4.59	38770-0112		38770-0212	38770-0312	38770-0412	38770-0612	
13	140.5	5.53	114.30	4.500	133.35	5.250	126.0	4.96	38770-0113		38770-0213	38770-0313	38770-0413	38770-0613	
14	150.0	5.91	123.83	4.875	142.88	5.625	135.6	5.34	38770-0114		38770-0214	38770-0314	38770-0414	38770-0614	
15	159.5	6.28	133.35	5.250	152.40	6.000	145.1	5.71	38770-0115		38770-0215	38770-0315	38770-0415	38770-0615	
16	169.0	6.66	142.88	5.625	161.93	6.375	154.6	6.09	38770-0116		38770-0216	38770-0316	38770-0416	38770-0616	
17	178.6	7.03	152.40	6.000	171.45	6.750	164.1	6.46	38770-0117		38770-0217	38770-0317	38770-0417	38770-0617	
18	188.1	7.41	161.93	6.375	180.98	7.125	173.7	6.84	38770-0118		38770-0218	38770-0318	38770-0418	38770-0618	
19	197.6	7.78	171.45	6.750	190.50	7.500	183.2	7.21	38770-0119		38770-0219	38770-0319	38770-0419	38770-0619	
20	207.1	8.16	180.98	7.125	200.03	7.875	192.7	7.59	38770-0120		38770-0220	38770-0320	38770-0420	38770-0620	
21	216.7	8.53	190.50	7.500	209.55	8.250	202.2	7.96	38770-0121		38770-0221	38770-0321	38770-0421	38770-0621	
22	226.2	8.91	200.03	7.875	219.08	8.625	211.8	8.34	38770-0122		38770-0222	38770-0322	38770-0422	38770-0622	
23	235.7	9.28	209.55	8.250	228.60	9.000	221.3	8.71	38770-0123		38770-0223	38770-0323	38770-0423	38770-0623	
24	245.2	9.66	219.08	8.625	238.13	9.375	230.8	9.09	38770-0124	38779-0335	38770-0224	38770-0324	38770-0424	38770-0624	
25	254.8	10.03	228.60	9.000	247.65	9.750	240.3	9.46	38770-0125		38770-0225	38770-0325	38770-0425	38770-0625	
26	264.3	10.41	238.13	9.375	257.18	10.125	249.9	9.84	38770-0126		38770-0226	38770-0326	38770-0426	38770-0626	
27	273.8	10.78	247.65	9.750	266.70	10.500	259.4	10.21	38770-0127		38770-0227	38770-0327	38770-0427	38770-0627	
28	283.3	11.16	257.18	10.125	276.23	10.875	268.9	10.59	38770-0128		38770-0228	38770-0328	38770-0428	38770-0628	
29	292.9	11.53	266.70	10.500	285.75	11.250	278.4	10.96	38770-0129		38770-0229	38770-0329	38770-0429	38770-0629	
30	302.4	11.91	276.23	10.875	295.28	11.625	288.0	11.34	38770-0130		38770-0230	38770-0330	38770-0430	38770-0630	

SEE SHEET 1 EC NO: ETC2007-0061 DRWN: C. YORK 2006/08/30 CHKD: J. MACNEIL 2006/08/30 APPR: J. MACNEIL 2006/08/31	QUALITY SYMBOLS ▽=0 ▽=0	GENERAL TOLERANCES (UNLESS SPECIFIED)		DIMENSION STYLE MM/IN		SCALE 2:1	DESIGN UNITS INCH	THIRD ANGLE PROJECTION	
			mm	INCH	DRAWN BY C. YORK	DATE 2006/08/11	TITLE 9.53 [.375] DOUBLE ROW LOW PROFILE BTS ASSY		
		4 PLACES ± --- ± ---	3 PLACES ± --- ± .005	CHECKED BY J. MACNEIL	DATE 2006/08/11				
			2 PLACES ± 0.13 ± .01	1 PLACE ± 0.3 ± ---	APPROVED BY R. DEROSS	DATE 2006/08/11	MOLEX INCORPORATED		
	ANGULAR ± 2 °		MATERIAL NO. SEE CHART	DOCUMENT NO. SD-38770-004	SHEET NO. 2 OF 2				
DRAFT WHERE APPLICABLE MUST REMAIN WITHIN DIMENSIONS		THIS DRAWING CONTAINS INFORMATION THAT IS PROPRIETARY TO MOLEX INCORPORATED AND SHOULD NOT BE USED WITHOUT WRITTEN PERMISSION							