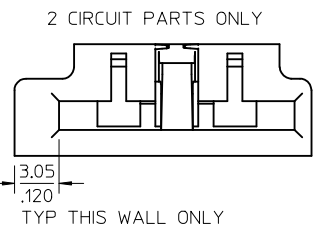
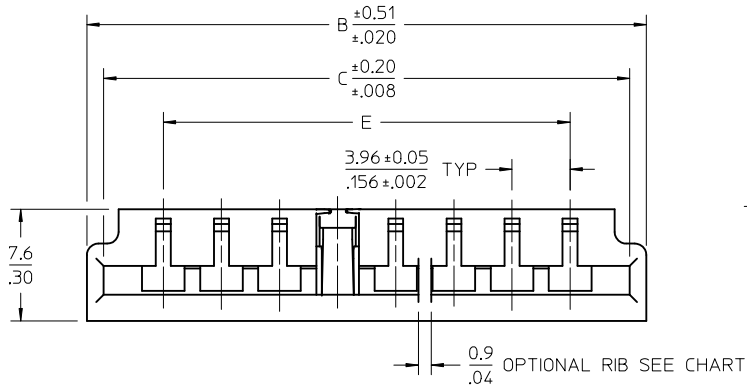
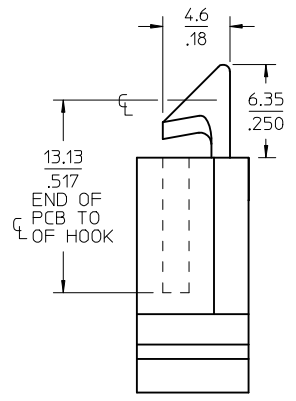
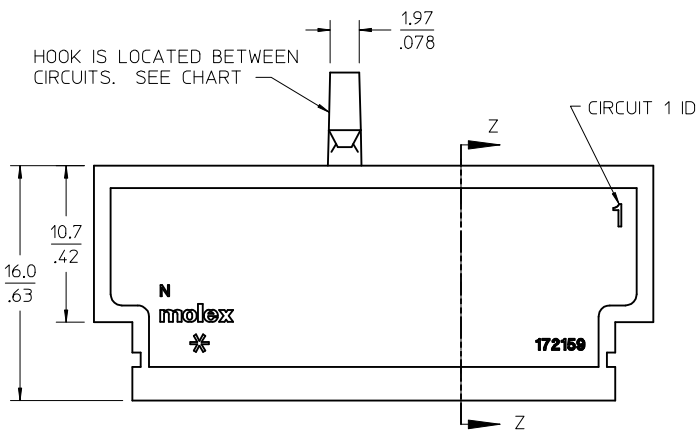
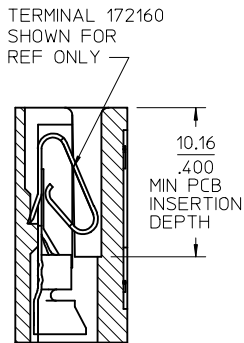


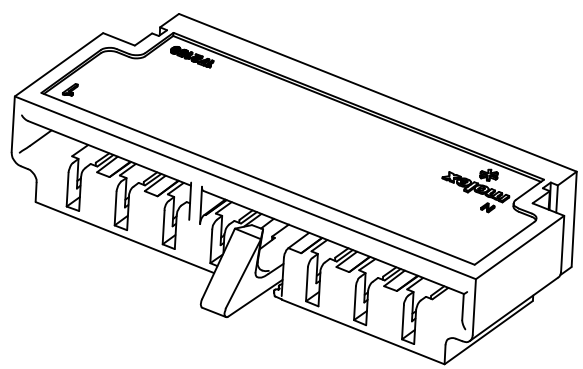
10 9 8 7 6 5 4 3 2 1



- NOTES:
1. MATERIAL: NYLON, UL 94V-2, WHITE
  2. FINISH: N/A
  3. PRODUCT SPECIFICATION: PS-172160-0001
  4. PACKAGING SPECIFICATION: PK-172159-0001
  5. COSMETIC SPEC: PS-45499-002 CLASS B
  6. HOUSING ACCEPTS TERMINAL: 172159
  7. THIS PART WITHOUT THE HOOK SEE SD-172159-0000
  8. DIMENSION TO BE 2.54-2.79/.100-.110 TO POLARIZE HOUSING AND PCB.



CKTS	MATERIAL NO	HOOK	POL RIB	DIM A	DIM B	DIM C	DIM E
02	172159-0502	1-2	N/A	15.70	20.24	16.05	7.92±0.05
				.618	.797	.632	.312±.002
03	172159-0503	1-2	N/A	19.66	22.30	20.02	11.89±0.05
				.774	.878	.788	.468±.002
04	172159-0604	3-4	2-3	23.42	26.26	23.98	15.85±0.08
				.922	1.034	.944	.624±.003
05	172159-0605	3-4	2-3	27.38	30.23	27.94	19.81±0.08
				1.078	1.190	1.100	.780±.003
06	172159-0606	3-4	2-3	31.29	34.19	31.90	23.77±0.08
				1.232	1.346	1.256	.936±.003
07	172159-0607	4-5	3-4	35.26	38.15	35.86	27.74±0.10
				1.388	1.502	1.412	1.092±.004
08	172159-0608	4-5	3-4, 6-7	39.22	42.11	39.83	31.70±0.10
				1.544	1.658	1.568	1.248±.004
09	172159-0609	4-5	3-4, 5-6	43.18	46.08	43.79	35.66±0.15
				1.700	1.814	1.724	1.404±.006
10	172159-0610	4-5	3-4, 6-7	47.09	50.04	47.75	39.62±0.15
				1.854	1.970	1.880	1.560±.006
11	172159-0611	4-5	3-4, 7-8	51.05	54.00	51.71	43.59±0.15
				2.010	2.126	2.036	1.716±.006
12	172159-0612	5-6	3-4, 8-9	54.97	57.96	55.68	47.55±0.15
				2.164	2.282	2.192	1.872±.006



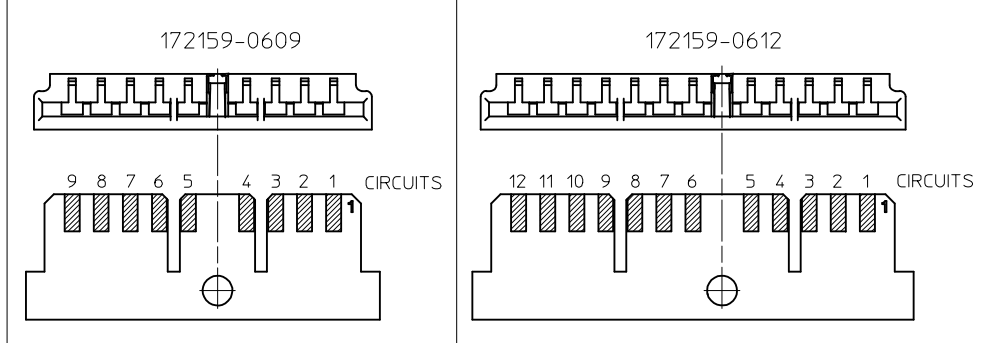
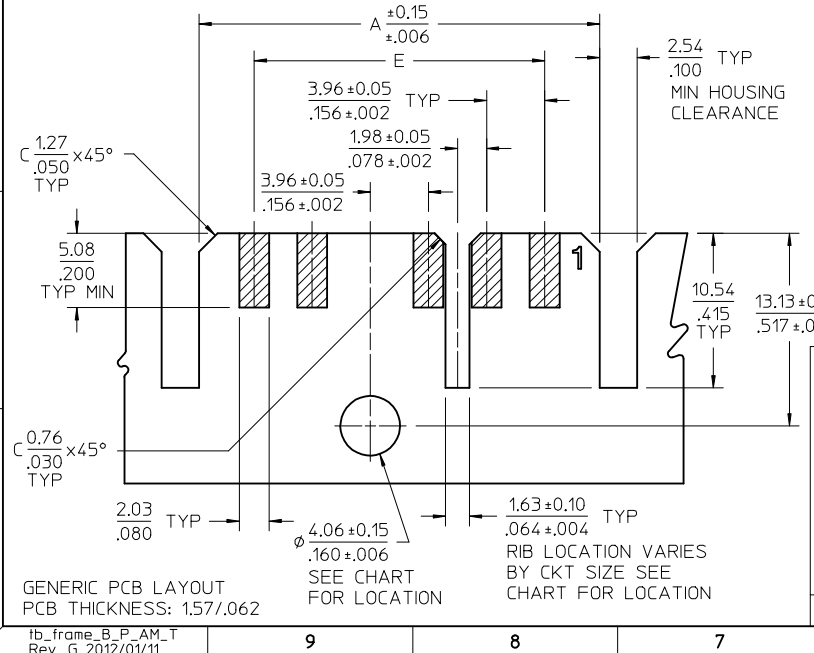
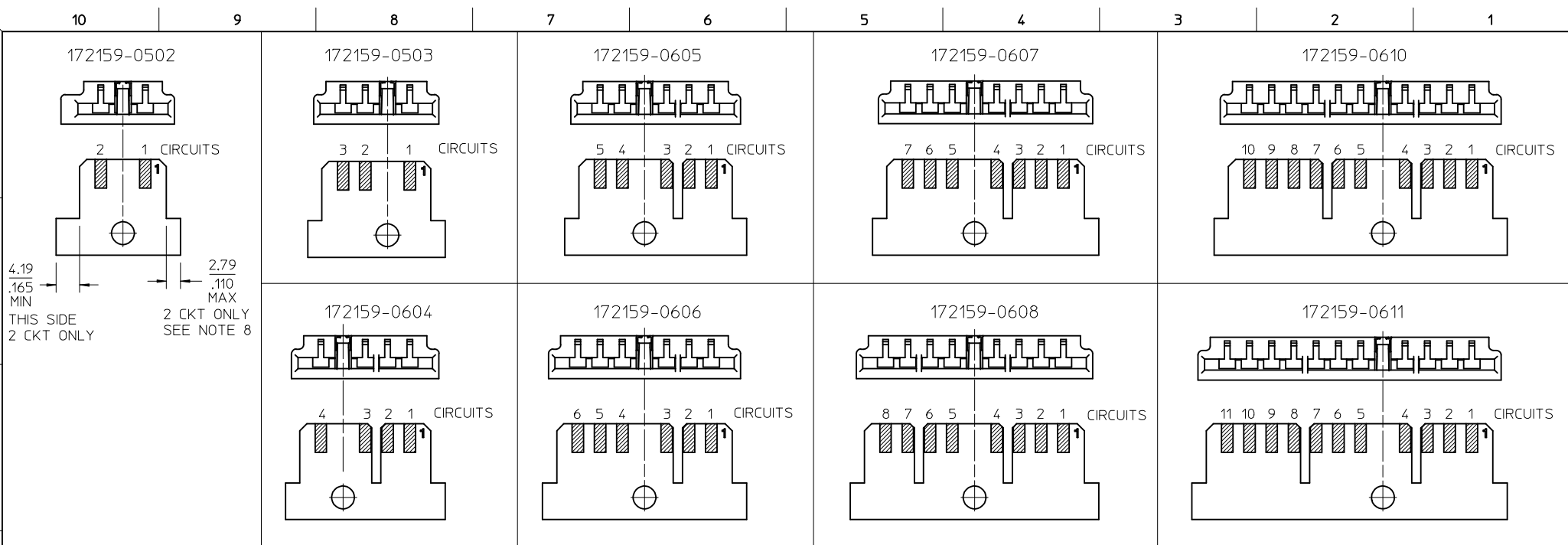
**ADD NOTE 8**  
 EC NO: UCP2015-1317  
 DRAWN: MKIPPER 2014/09/29  
 CHKD: NGUYEN 2014/09/29  
 APPR: FSMITH 2014/10/10  
 REV B5

GENERAL TOLERANCES (UNLESS SPECIFIED)	
mm	INCH
4 PLACES ± ---	± ---
3 PLACES ± ---	± .010
2 PLACES ± 0.25	± .015
1 PLACE ± 0.38	± ---
0 PLACE ± ---	± ---
ANGULAR ± 1/2°	
DRAFT WHERE APPLICABLE MUST REMAIN WITHIN DIMENSIONS	

DIMENSION STYLE	
MM/IN	
DRAWN BY	DATE
KSAMIEC	2014/05/05
CHECKED BY	DATE
APPROVED BY	DATE
JCOMERC I	2014/05/19
MATERIAL NO.	
SEE CHART	
SIZE	B

SCALE	DESIGN UNITS	THIRD ANGLE PROJECTION
3:1	INCH	
<b>EDGEMATE CONNECTOR</b> <b>3.96/.156 CENTER</b> <b>WITH HOOK</b> 		
MATERIAL NO.	DOCUMENT NO.	SHEET NO.
	SD-172159-0002	1 OF 2
THIS DRAWING CONTAINS INFORMATION THAT IS PROPRIETARY TO MOLEX INCORPORATED AND SHOULD NOT BE USED WITHOUT WRITTEN PERMISSION		

9 8 7 6 5 4 3 2 1



<b>SEE SHEET 1</b> EC NO: UCP2015-1317 DRAWN BY: DRW/MKK/PPER 2014/09/29 CHKD: NGUYEN 2014/09/29 APPR: FSM/ITH 2014/10/10 B5	GENERAL TOLERANCES (UNLESS SPECIFIED)		DIMENSION STYLE <b>MM/IN</b>		SCALE <b>1.5:1</b>	DESIGN UNITS <b>INCH</b>	THIRD ANGLE PROJECTION																		
	<table border="1"> <thead> <tr> <th></th> <th>mm</th> <th>INCH</th> </tr> </thead> <tbody> <tr> <td>4 PLACES</td> <td>± ---</td> <td>± ---</td> </tr> <tr> <td>3 PLACES</td> <td>± ---</td> <td>± .010</td> </tr> <tr> <td>2 PLACES</td> <td>± 0.25</td> <td>± .015</td> </tr> <tr> <td>1 PLACE</td> <td>± 0.38</td> <td>± ---</td> </tr> <tr> <td>0 PLACE</td> <td>± ---</td> <td>± ---</td> </tr> </tbody> </table>			mm	INCH	4 PLACES	± ---	± ---	3 PLACES	± ---	± .010	2 PLACES	± 0.25	± .015	1 PLACE	± 0.38	± ---	0 PLACE	± ---	± ---	DRAWN BY: KSAMIEC DATE: 2014/05/05 CHECKED BY: DATE:		TITLE <b>EDGEMATE CONNECTOR          3.96/.156 CENTER          WITH HOOK</b>		
		mm	INCH																						
	4 PLACES	± ---	± ---																						
3 PLACES	± ---	± .010																							
2 PLACES	± 0.25	± .015																							
1 PLACE	± 0.38	± ---																							
0 PLACE	± ---	± ---																							
ANGULAR $\pm 1/2^\circ$		APPROVED BY: JCOMERC I DATE: 2014/05/19		MATERIAL NO.																					
DRAFT WHERE APPLICABLE MUST REMAIN WITHIN DIMENSIONS		SEE CHART		DOCUMENT NO. <b>SD-172159-0002</b>		SHEET NO. <b>2 OF 2</b>																			