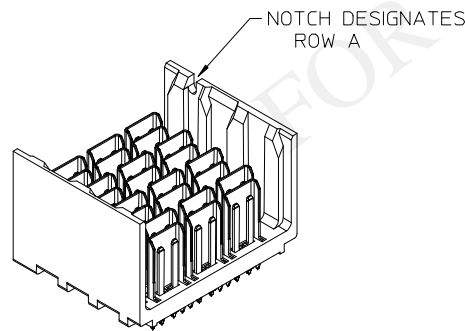
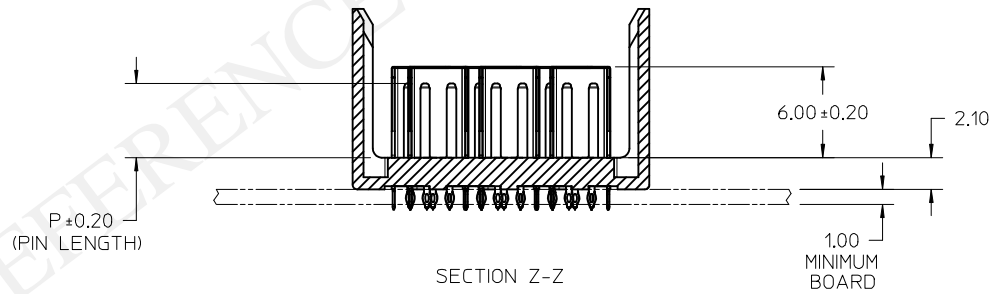
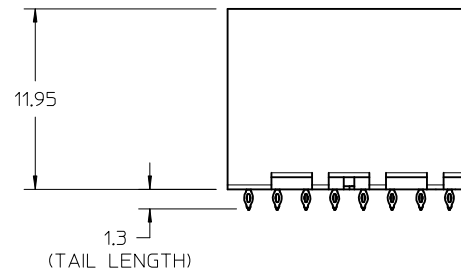
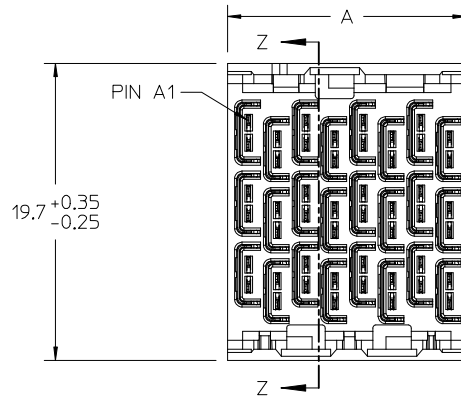


NOTES:

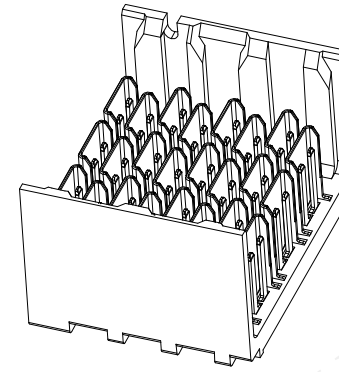
1. MATERIALS: HOUSING - LIQUID CRYSTAL POLYMER (LCP)
GLASS-FILLED, UL94V-0
TERMINALS - HIGH PERFORMANCE COPPER ALLOY
2. FINISH: 30µIN GOLD IN CONTACT AREA,
SELECTIVE TIN ON PCB TAILS.
NICKEL OVERALL.
3. REFER TO MOLEX PRODUCT SPECIFICATION PS-171320-999 FOR PERFORMANCE SPECIFICATIONS.
4. THIS PART CONFORMS TO CLASS B REQUIREMENTS OF MOLEX COSMETIC SPEC PS-45499-002.
5. PRODUCT WILL BE PACKAGED PER PK-78888-082.
6. SEE SHEETS 2 AND 6 FOR HOLE PATTERN AND MATED PART DIMENSIONS.
7. MATES WITH IMPEL DC SERIES NUMBER 171990.
8. REFER TO IMPEL PCB ROUTING GUIDE AS-171320-990 FOR ANTIPAD, ROUTING RECOMMENDATIONS, AND ADDITIONAL PCB INFORMATION.
9. WHEN STACKING MODULES END TO END, THE MINIMUM COLUMN TO COLUMN SPACING IS 2.65mm.



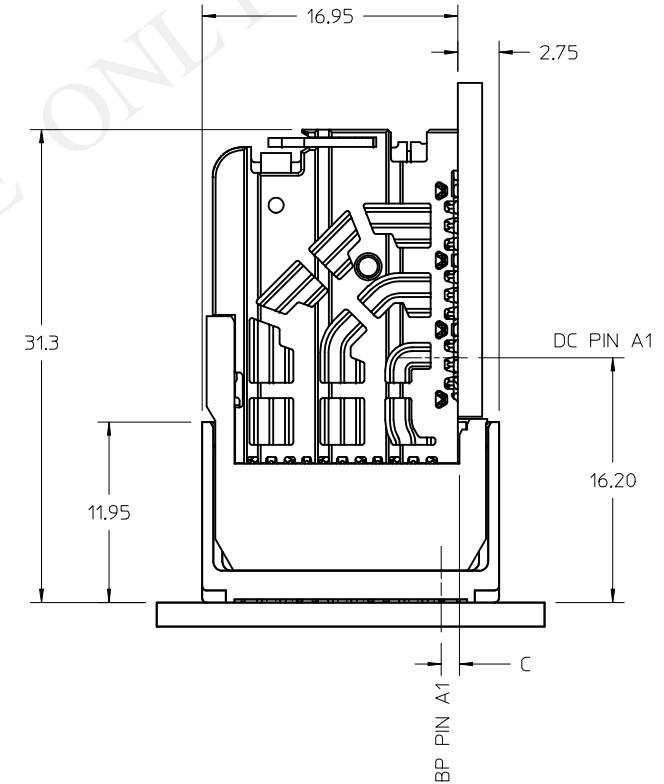
PRELIMINARY

SHT 6 KEEPOUT EC NO: UCP2015-0076 DRWN:BJANOWIAK 2014/07/08 CHKD: APPR:BJANOWIAK 2014/07/08 REV	QUALITY SYMBOLS	GENERAL TOLERANCES (UNLESS SPECIFIED)	DIMENSION STYLE MM ONLY	SCALE 4:1	DESIGN UNITS METRIC	THIRD ANGLE PROJECTION
	▽=0	mm INCH	DRAWN BY DATE BJANOWIAK 2012/12/10	TITLE IMPEL 3 PAIR BACKPLANE UNGUIDED ASSEMBLY SALES DRAWING		
	▽=0	4 PLACES ± --- ± ---	CHECKED BY DATE	MOLEX MOLEX INCORPORATED		
	▽=0	2 PLACES ±0.13 ± ---	APPROVED BY DATE BJANOWIAK 2013/01/02	DOCUMENT NO. SD-171335-0001	SHEET NO. 1 OF 6	
		ANGULAR ±1/2°	MATERIAL NO. SEE CHART	THIS DRAWING CONTAINS INFORMATION THAT IS PROPRIETARY TO MOLEX INCORPORATED AND SHOULD NOT BE USED WITHOUT WRITTEN PERMISSION		
		DRAFT WHERE APPLICABLE MUST REMAIN WITHIN DIMENSIONS				

MATERIAL NUMBER	NUMBER OF COLUMNS	NUMBER OF DIFF PAIR	DIM "A"	DIM "B"	DIM "C"	DIM "P"	PTH ϕ
171335-1804	8	24	15.80	13.30	1.10	4.90	0.46±0.05
171335-1805	8	24	15.80	13.30	1.10	5.50	0.46±0.05
171335-1807	8	24	15.80	13.30	1.20	4.90	0.36±0.05
171335-1808	8	24	15.80	13.30	1.20	5.50	0.36±0.05
171335-1104	10	30	19.60	17.10	1.10	4.90	0.46±0.05
171335-1105	10	30	19.60	17.10	1.10	5.50	0.46±0.05
171335-1107	10	30	19.60	17.10	1.20	4.90	0.36±0.05
171335-1108	10	30	19.60	17.10	1.20	5.50	0.36±0.05



OPEN
WALL OPTION



MATED PART DIMENSIONS

171335-1***

MODULE TYPE
1 = UNGUIDED

PIN LENGTH (P)
4 = 4.90 (0.46 PTH)
5 = 5.50 (0.46 PTH)
7 = 4.90 (0.36 PTH)
8 = 5.50 (0.36 PTH)

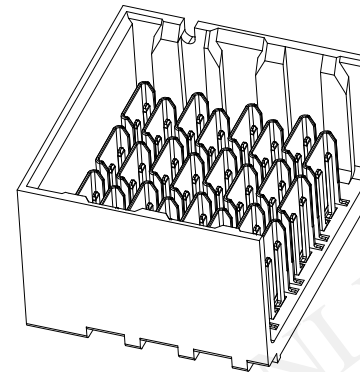
OF COLUMNS
8 = 8 COL
1 = 10 COL

HOUSING STYLE
0 = OPEN ENDS
1 = LEFT END WALL
2 = DUAL END WALL
3 = RIGHT END WALL

PRELIMINARY

SEE SHEET 1 EC NO: UCP2015-0076 DRAWN:BJANOWIAK 2014/07/08 CHKD: APPR:BJANOWIAK 2014/07/08	QUALITY SYMBOLS ▽=0 ▽=0 ▽=0	GENERAL TOLERANCES (UNLESS SPECIFIED)		DIMENSION STYLE MM ONLY		SCALE 4:1	DESIGN UNITS METRIC	THIRD ANGLE PROJECTION	
		4 PLACES ± --- ± ---	3 PLACES ± --- ± ---	2 PLACES ± 0.13 ± ---	1 PLACE ± 0.25 ± ---	DRAWN BY BJANOWIAK	DATE 2012/12/10	TITLE IMPEL 3 PAIR BACKPLANE UNGUIDED ASSEMBLY SALES DRAWING	
8	REV	ANGULAR ±1/2°		APPROVED BY BJANOWIAK		DATE 2013/01/02	MATERIAL NO. DOCUMENT NO. MOLLEX MOLEX INCORPORATED		
		DRAFT WHERE APPLICABLE MUST REMAIN WITHIN DIMENSIONS		SEE CHART		SD-171335-0001		SHEET NO. 2 OF 6	
THIS DRAWING CONTAINS INFORMATION THAT IS PROPRIETARY TO MOLEX INCORPORATED AND SHOULD NOT BE USED WITHOUT WRITTEN PERMISSION									

MATERIAL NUMBER	NUMBER OF COLUMNS	NUMBER OF DIFF PAIR	DIM "A"	DIM "B"	DIM "C"	DIM "P"	PTH ϕ
171335-1814	8	24	17.20	13.30	1.10	4.90	0.46±0.05
171335-1815	8	24	17.20	13.30	1.10	5.50	0.46±0.05
171335-1817	8	24	17.20	13.30	1.20	4.90	0.36±0.05
171335-1818	8	24	17.20	13.30	1.20	5.50	0.36±0.05

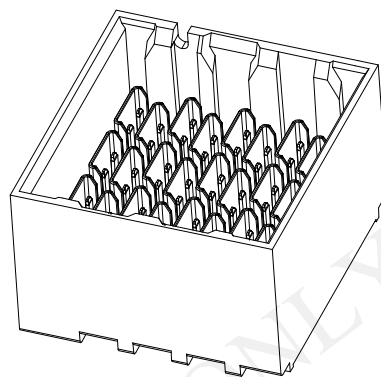


LEFT END
WALL OPTION

FOR REFERENCE USE ONLY

SEE SHEET 1 EC NO: UCP2015-0076 DRWN:BJANOWIAK 2014/07/08 CHKD: APPR:BJANOWIAK 2014/07/08 REV:	QUALITY SYMBOLS	GENERAL TOLERANCES (UNLESS SPECIFIED)	DIMENSION STYLE	SCALE	DESIGN UNITS	THIRD ANGLE PROJECTION
	▽=0	mm INCH	MM ONLY	4:1	METRIC	
	▽=0	4 PLACES ± --- ± ---	DRAWN BY DATE	TITLE		
	▽=0	3 PLACES ± --- ± ---	BJANOWIAK 2012/12/10	IMPEL 3 PAIR BACKPLANE UNGUIDED ASSEMBLY SALES DRAWING		
	2 PLACES ±0.13 ± ---	CHECKED BY DATE	molex			
	1 PLACE ±0.25 ± ---	APPROVED BY DATE	DOCUMENT NO.			SHEET NO.
	0 PLACE ± --- ± ---	BJANOWIAK 2013/01/02	SD-171335-0001			3 OF 6
	ANGULAR ±1/2°	MATERIAL NO.	THIS DRAWING CONTAINS INFORMATION THAT IS PROPRIETARY TO MOLEX INCORPORATED AND SHOULD NOT BE USED WITHOUT WRITTEN PERMISSION			
	DRAFT WHERE APPLICABLE MUST REMAIN WITHIN DIMENSIONS	SIZE				

MATERIAL NUMBER	NUMBER OF COLUMNS	NUMBER OF DIFF PAIR	DIM "A"	DIM "B"	DIM "C"	DIM "P"	PTH ϕ
171335-1824	8	24	18.60	13.30	1.10	4.90	0.46+0.05
171335-1825	8	24	18.60	13.30	1.10	5.50	0.46+0.05
171335-1827	8	24	18.60	13.30	1.20	4.90	0.36+0.05
171335-1828	8	24	18.60	13.30	1.20	5.50	0.36+0.05

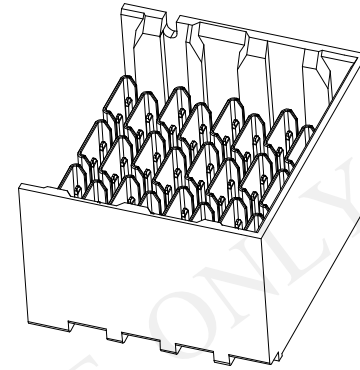


DUAL END WALL OPTION

FOR REFERENCE USE ONLY

SEE SHEET 1 EC NO: UCP2015-0076 DRWN:BJANOWIAK 2014/07/08 CHKD: APPR:BJANOWIAK 2014/07/08	DESCRIPTION REV	QUALITY SYMBOLS	GENERAL TOLERANCES (UNLESS SPECIFIED)	DIMENSION STYLE	SCALE	DESIGN UNITS	THIRD ANGLE PROJECTION	
		$\nabla = 0$ $\nabla = 0$ $\nabla = 0$	mm INCH 4 PLACES \pm --- \pm --- 3 PLACES \pm --- \pm --- 2 PLACES ± 0.13 \pm --- 1 PLACE ± 0.25 \pm --- 0 PLACE \pm --- \pm ---	MM ONLY	4:1	METRIC	DRAWN BY DATE B.JANOWIAK 2012/12/10 CHECKED BY DATE APPROVED BY DATE B.JANOWIAK 2013/01/02	TITLE IMPEL 3 PAIR BACKPLANE UNGUIDED ASSEMBLY SALES DRAWING molex
		ANGULAR $\pm 1/2^\circ$ DRAFT WHERE APPLICABLE MUST REMAIN WITHIN DIMENSIONS	MATERIAL NO. SEE CHART	DOCUMENT NO. SD-171335-0001	SHEET NO. 4 OF 6			
		THIS DRAWING CONTAINS INFORMATION THAT IS PROPRIETARY TO MOLEX INCORPORATED AND SHOULD NOT BE USED WITHOUT WRITTEN PERMISSION						

MATERIAL NUMBER	NUMBER OF COLUMNS	NUMBER OF DIFF PAIR	DIM "A"	DIM "B"	DIM "C"	DIM "P"	PTH ϕ
171335-1834	8	24	17.20	13.30	1.10	4.90	0.46±0.05
171335-1835	8	24	17.20	13.30	1.10	5.50	0.46±0.05
171335-1837	8	24	17.20	13.30	1.20	4.90	0.36±0.05
171335-1838	8	24	17.20	13.30	1.20	5.50	0.36±0.05

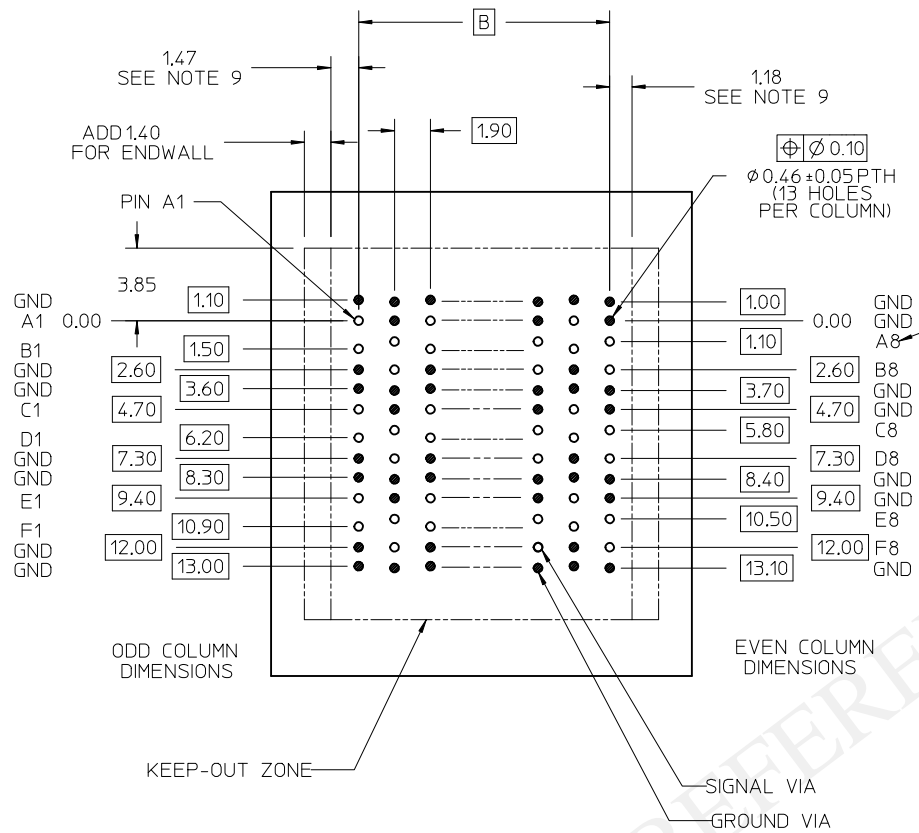


RIGHT END
WALL OPTION

FOR REFERENCE USE ONLY

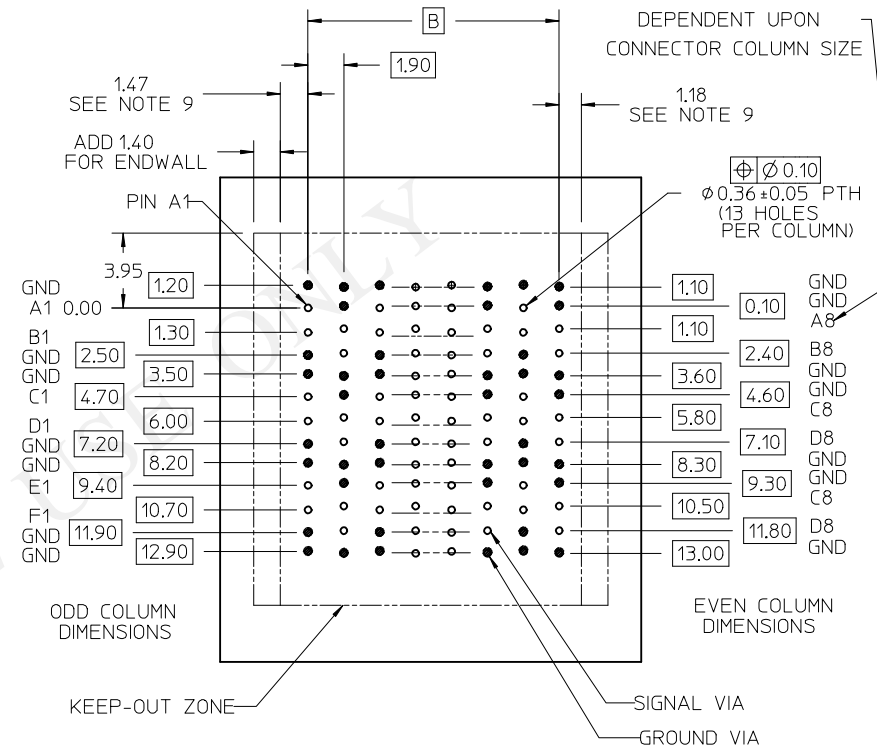
SEE SHEET 1 EC NO: UCP2015-0076 DRWN:BJANOWIAK 2014/07/08 CHKD: APPR:BJANOWIAK 2014/07/08	QUALITY SYMBOLS	GENERAL TOLERANCES (UNLESS SPECIFIED)	DIMENSION STYLE	SCALE	DESIGN UNITS	THIRD ANGLE PROJECTION
	▽=0	mm INCH	MM ONLY	4:1	METRIC	
	▽=0	4 PLACES ± --- ± ---	DRAWN BY DATE	TITLE		
	▽=0	3 PLACES ± --- ± ---	BJANOWIAK 2012/12/10	IMPEL 3 PAIR BACKPLANE UNGUIDED ASSEMBLY SALES DRAWING		
	2 PLACES ±0.13 ± ---	CHECKED BY DATE	molex DOCUMENT NO. SD-171335-0001 SHEET NO. 5 OF 6			
	1 PLACE ±0.25 ± ---	APPROVED BY DATE				
	0 PLACE ± --- ± ---	BJANOWIAK 2013/01/02	MATERIAL NO. SEE CHART			
	ANGULAR ±1/2°	DRAFT WHERE APPLICABLE MUST REMAIN WITHIN DIMENSIONS				
		THIS DRAWING CONTAINS INFORMATION THAT IS PROPRIETARY TO MOLEX INCORPORATED AND SHOULD NOT BE USED WITHOUT WRITTEN PERMISSION				

ACTUAL PIN NUMBERS
DEPENDENT UPON
CONNECTOR COLUMN SIZE



BACKPLANE HOLE PATTERN
FOR $\phi 0.46$ PTH
(CONNECTOR SIDE)

ACTUAL PIN NUMBERS
DEPENDENT UPON
CONNECTOR COLUMN SIZE



BACKPLANE HOLE PATTERN
FOR $\phi 0.36$ PTH
(CONNECTOR SIDE)

SEE SHEET 1 EC NO: UCP2015-0076 DRAWN: B.JANOWIAK 2014/07/08 CHKD: APPR: B.JANOWIAK 2014/07/08 REV:	QUALITY SYMBOLS $\nabla = 0$ $\nabla = 0$ $\nabla = 0$	GENERAL TOLERANCES (UNLESS SPECIFIED) <table border="1"> <tr> <th></th> <th>mm</th> <th>INCH</th> </tr> <tr> <td>4 PLACES</td> <td>\pm ---</td> <td>\pm ---</td> </tr> <tr> <td>3 PLACES</td> <td>\pm ---</td> <td>\pm ---</td> </tr> <tr> <td>2 PLACES</td> <td>± 0.13</td> <td>\pm ---</td> </tr> <tr> <td>1 PLACE</td> <td>± 0.25</td> <td>\pm ---</td> </tr> </table>		mm	INCH	4 PLACES	\pm ---	\pm ---	3 PLACES	\pm ---	\pm ---	2 PLACES	± 0.13	\pm ---	1 PLACE	± 0.25	\pm ---	DIMENSION STYLE MM ONLY DRAWN BY: B.JANOWIAK DATE: 2012/12/10 CHECKED BY: _____ DATE: _____ APPROVED BY: B.JANOWIAK DATE: 2013/01/02 MATERIAL NO.: _____	SCALE: 5:1 DESIGN UNITS: METRIC TITLE: IMPEL 3 PAIR BACKPLANE UNGUIDED ASSEMBLY SALES DRAWING MOLEX INCORPORATED DOCUMENT NO.: SD-171335-0001 SHEET NO.: 6 OF 6	THIRD ANGLE PROJECTION
		mm	INCH																	
4 PLACES	\pm ---	\pm ---																		
3 PLACES	\pm ---	\pm ---																		
2 PLACES	± 0.13	\pm ---																		
1 PLACE	± 0.25	\pm ---																		
DRAFT WHERE APPLICABLE MUST REMAIN WITHIN DIMENSIONS	SEE CHART	THIS DRAWING CONTAINS INFORMATION THAT IS PROPRIETARY TO MOLEX INCORPORATED AND SHOULD NOT BE USED WITHOUT WRITTEN PERMISSION																		