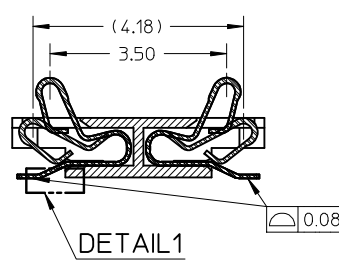
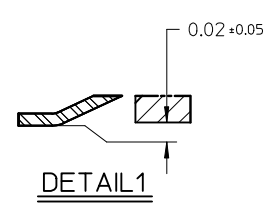
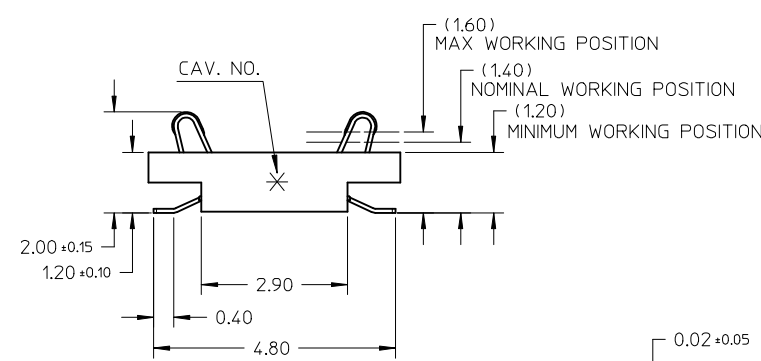
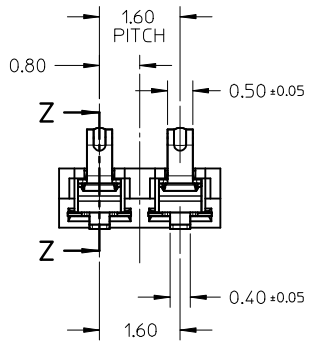


RECOMMENDED PCB LAYOUT  
RECOMMENDED TOLERANCE: ±0.02MM

RECOMMENDED MATING PAD LAYOUT  
RECOMMENDED TOLERANCE: ±0.02MM

- NOTES:
- MATERIALS:  
HOUSING: LIQUID CRYSTAL POLYMER, GLASS FILLED, COLOUR: BLACK;  
TERMINAL: COPPER ALLOY;
  - FINISH:  
1.27 MICROMETER MIN. NICKEL UNDERPLATING OVERALL,  
0.10 MICROMETER MIN. GOLD PLATING ON CONTACT AREA,  
1.27 MICROMETER MIN. MATTE TIN PLATING ON SOLDERING AREA;
  - RECOMMENDED MATING PAD FINISH:  
1.27 MICROMETER MIN. NICKEL UNDERPLATING AND 0.38 MICROMETER MIN. GOLD PLATING OVERALL;
  - PRODUCT SPECIFICATION: PLEASE REFER TO PS-78864-001;
  - DATE CODE PRINTED: XXX .  
DAY OF THE YEAR

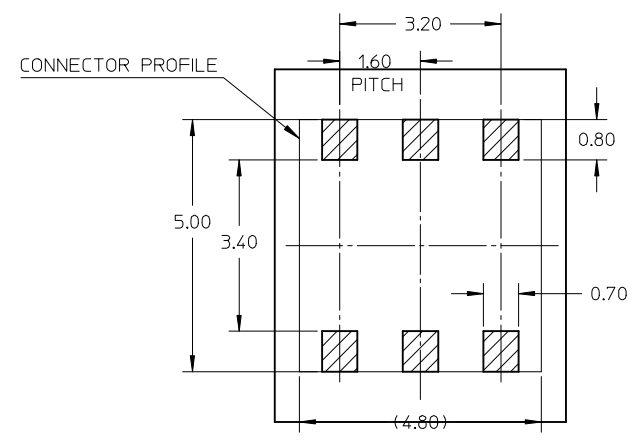
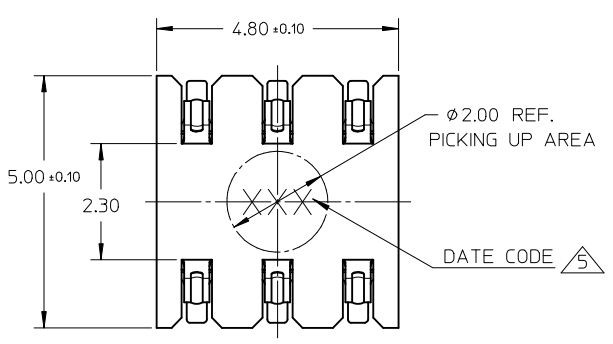


THIS DESIGN IS BASED ON DESIGN OBJECTIVES AND IS STRICTLY TENTATIVE. IT MAY CHANGE BASED ON RESULTS OF ADDITIONAL DESIGN REVIEWS & VERIFICATIONS.

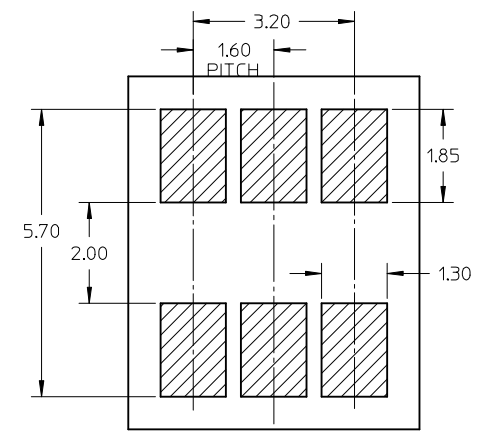
SECTION Z-Z

PART NUMBER	POS. NO.
788640001	4

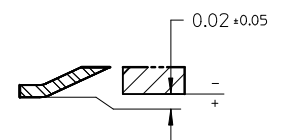
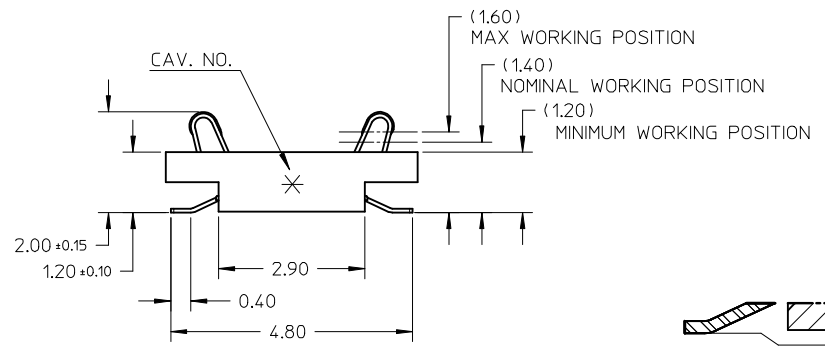
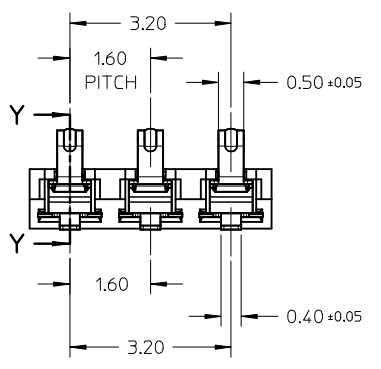
INITIAL RELEASE EC NO: S2014-0076 DRWN:HLWANG06 2013/07/13 CHKD:JTAN02 2013/08/27 APPR:KHLIM 2013/08/28	QUALITY SYMBOLS	GENERAL TOLERANCES (UNLESS SPECIFIED)	DIMENSION STYLE	SCALE	DESIGN UNITS	THIRD ANGLE PROJECTION																		
	$\nabla_A = 0$ $\nabla_C = 0$ $\nabla_P = 0$	<table border="1"> <tr> <th></th> <th>mm</th> <th>INCH</th> </tr> <tr> <td>4 PLACES</td> <td>± ---</td> <td>± ---</td> </tr> <tr> <td>3 PLACES</td> <td>± ---</td> <td>± ---</td> </tr> <tr> <td>2 PLACES</td> <td>± 0.20</td> <td>± ---</td> </tr> <tr> <td>1 PLACE</td> <td>± ---</td> <td>± ---</td> </tr> <tr> <td>0 PLACE</td> <td>± ---</td> <td>± ---</td> </tr> </table>		mm	INCH	4 PLACES	± ---	± ---	3 PLACES	± ---	± ---	2 PLACES	± 0.20	± ---	1 PLACE	± ---	± ---	0 PLACE	± ---	± ---	MM ONLY	NTS	METRIC	
		mm	INCH																					
	4 PLACES	± ---	± ---																					
3 PLACES	± ---	± ---																						
2 PLACES	± 0.20	± ---																						
1 PLACE	± ---	± ---																						
0 PLACE	± ---	± ---																						
DRAWN BY: HLWANG06 CHECKED BY: JTAN02 APPROVED BY: KHLIM DATE: 2013/07/13 DATE: 2013/08/26 DATE: 2013/08/28	ANGULAR ± 3 ° DRAFT WHERE APPLICABLE MUST REMAIN WITHIN DIMENSIONS	DRAWN BY: HLWANG06 CHECKED BY: JTAN02 APPROVED BY: KHLIM DATE: 2013/07/13 DATE: 2013/08/26 DATE: 2013/08/28	TITLE	SALES DRAWING FOR BATTERY 1.2H 1.6MM PITCH DOUBLE ROW CONNECTOR																				
1	REV	SIZE: A3	SEE TABLE	MATERIAL NO. THIS DRAWING CONTAINS INFORMATION THAT IS PROPRIETARY TO MOLEX INCORPORATED AND SHOULD NOT BE USED WITHOUT WRITTEN PERMISSION																				



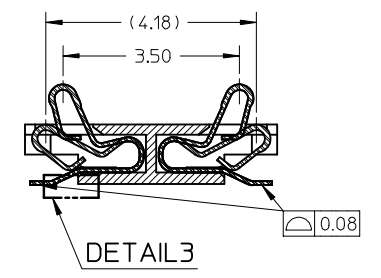
RECOMMENDED PCB LAYOUT  
RECOMMENDED TOLERANCE: ±0.02MM



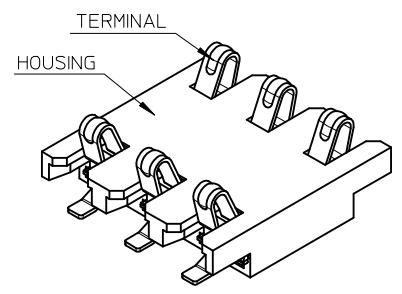
RECOMMENDED MATING PAD LAYOUT  
RECOMMENDED TOLERANCE: ±0.02MM



DETAIL3



SECTION Y-Y



INITIAL RELEASE	EC NO: S2014-0076	2013/07/13
DRWN:HLWANG06	2013/08/27	
CHKD:JTAN02		
APPR:KHLIM	2013/08/28	

REV	DESCRIPTION
1	INITIAL RELEASE

QUALITY SYMBOLS	GENERAL TOLERANCES (UNLESS SPECIFIED)	
	mm	INCH
$F_A=0$	4 PLACES ± ---	± ---
$F_C=0$	3 PLACES ± ---	± ---
$F_P=0$	2 PLACES ± 0.20	± ---
	1 PLACE ± ---	± ---
	0 PLACE ± ---	± ---
	ANGULAR ± 3 °	
	DRAFT WHERE APPLICABLE MUST REMAIN WITHIN DIMENSIONS	

DIMENSION STYLE	
MM ONLY	
DRAWN BY	DATE
HLWANG06	2013/07/13
CHECKED BY	DATE
JTAN02	2013/08/26
APPROVED BY	DATE
KHLIM	2013/08/28
MATERIAL NO.	
SEE TABLE	
SIZE	
A3	

SCALE	DESIGN UNITS	THIRD ANGLE PROJECTION
NTS	METRIC	
TITLE		
SALES DRAWING FOR BATTERY 1.2H 1.6MM PITCH DOUBLE ROW CONNECTOR		
<b>molex</b>		
MATERIAL NO.	DOCUMENT NO.	SHEET NO.
	SD-78864-001	2 OF 2
THIS DRAWING CONTAINS INFORMATION THAT IS PROPRIETARY TO MOLEX INCORPORATED AND SHOULD NOT BE USED WITHOUT WRITTEN PERMISSION		

PART NUMBER	POS. NO.
788641001	6