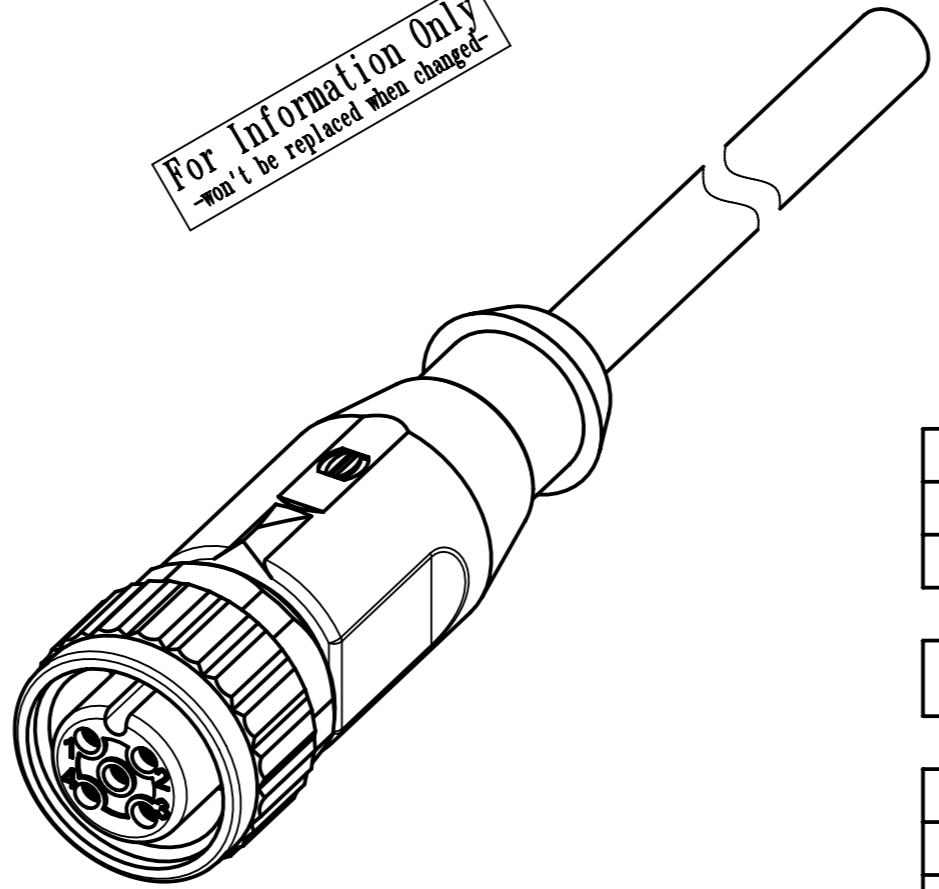


Loading-Plan:

- 1 — brown
- 2 — blue
- 3 — black
- 4 — black

For Information Only  
won't be replaced when changed



- Protection level: IP67
- Temperature range: -25°C ... +80°C

length in "1m" step	40	XXX=400
	39	XXX=390
	12	XXX=120
	11	XXX=110
length in "0,1m" step	10	XXX=100
	9,9	XXX=099
	9,8	XXX=098
	0,4	XXX=004
	0,3	XXX=003
	0,2	XXX=002
0,1	XXX=001	
Step	a [m]	XXX

4,0 to 40	+1%
0,1 to 3,9	+0,04
a [m]	Tolerance

Part no.	213485003XXX
----------	--------------

Type of cable	XX
PVC grey, 3x0,34mm <sup>2</sup>	XX=83
PUR black, 3x0,34mm <sup>2</sup>	XX=90

All rights reserved Department EC PD - RO HARTING Electronics GmbH D-32339 Espelkamp		All Dimensions in mm Original Size DIN A3 Scale 2:1 Free size tol. Created by TAMAS Inspected by Standardisation Date 2014-05-26 State Checked Out Title M12 A-coded Cable Assembly Type TB Number 213485003XXXXX Rev. A Page 1/1	Ref. Sub. Doc-Key / ECM-Nr. 100578791/UGD/009/A
-----------------------------------------------------------------------------------------------	--	--------------------------------------------------------------------------------------------------------------------------------------------------------------------------------------------------------------------------------------------------------------------------	----------------------------------------------------------