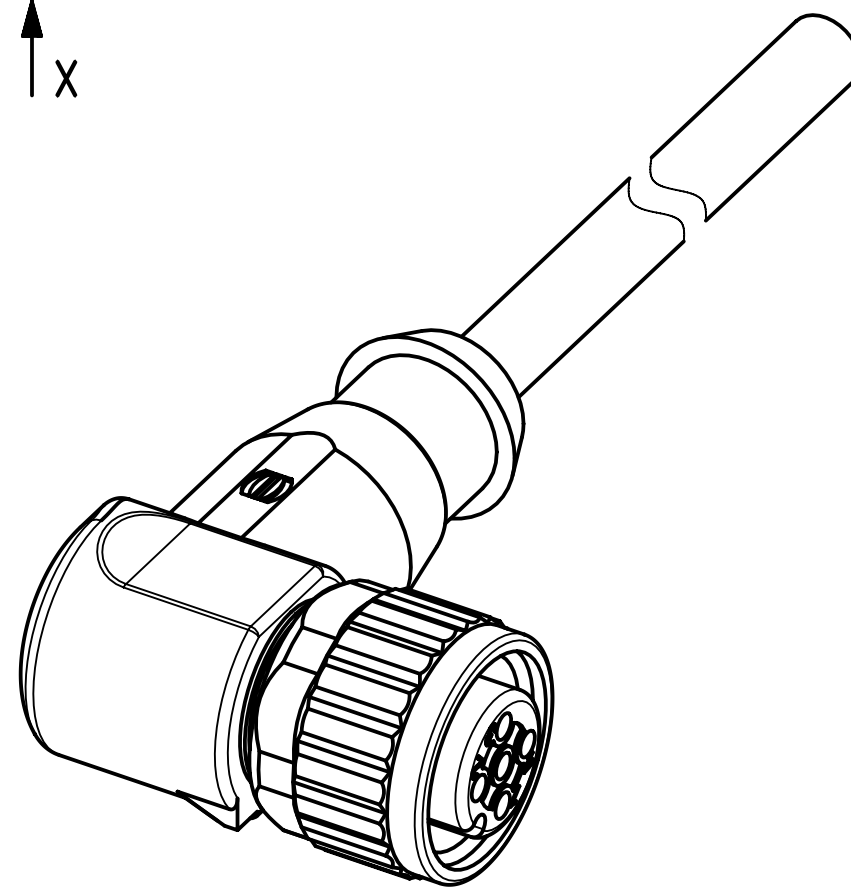


Loading-Plan:

- 1 brown
- 3 blue
- 4 black

- Protection level: IP67
 - Temperature range: -25°C ... +80°C



*For Information Only
 -won't be replaced when changed-*

4,0 to 40	+1%
0,1 to 3,9	+0,04
a [m]	Tolerance

length in "1m" step	40	XXX=400
	39	XXX=390
	.	.
	12	XXX=120
	11	XXX=110
length in "0,1m" step	10	XXX=100
	9,9	XXX=099
	9,8	XXX=098
	.	.
	0,4	XXX=004
	0,3	XXX=003
	0,2	XXX=002
0,1	XXX=001	
Step	a [m]	XXX

Part no.	213487003XXX
-----------------	--------------

Type of cable	XX
PVC grey, 3x0,34mm ²	XX=83
PUR black, 3x0,34mm ²	XX=90

	All rights reserved		Created by TAMAS		Inspected by		Standardisation		Date 2014-05-23		State Checked Out	
	Department EC PD - RO		Title M12 A-coded Cable Assembly		Doc-Key / ECM-Nr. 100578809/UGD/009/A		Rev. A		Page 1/1			
HARTING Electronics GmbH D-32339 Espelkamp		Type TB		Number 213487003XXXXX								