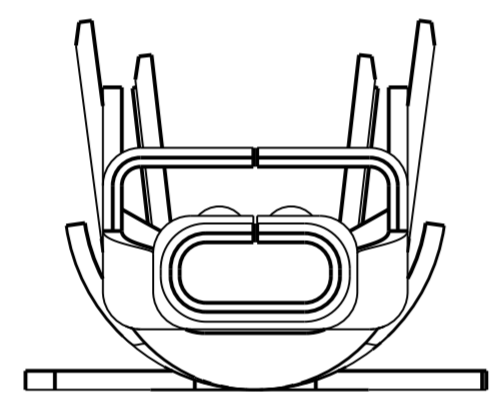
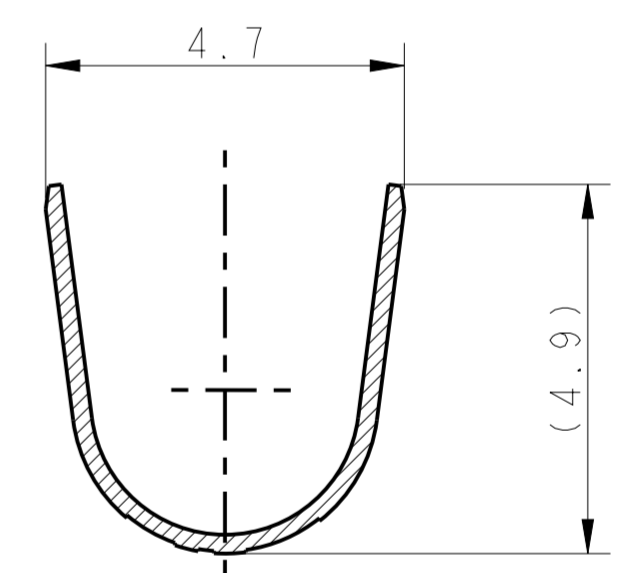
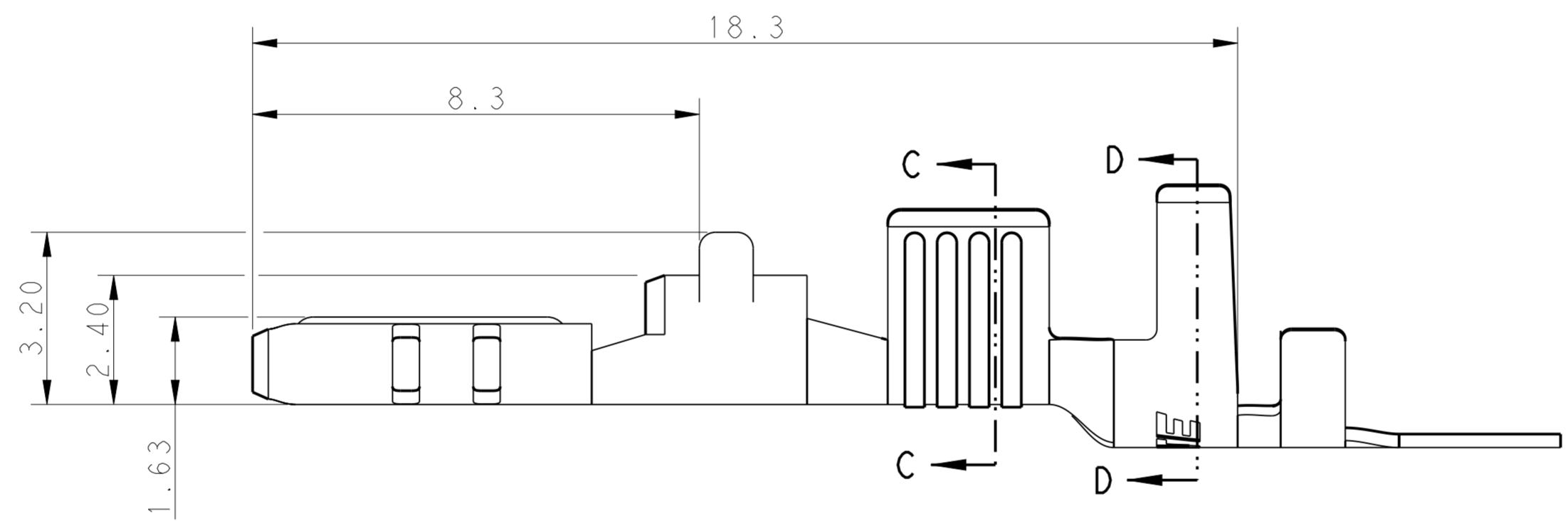
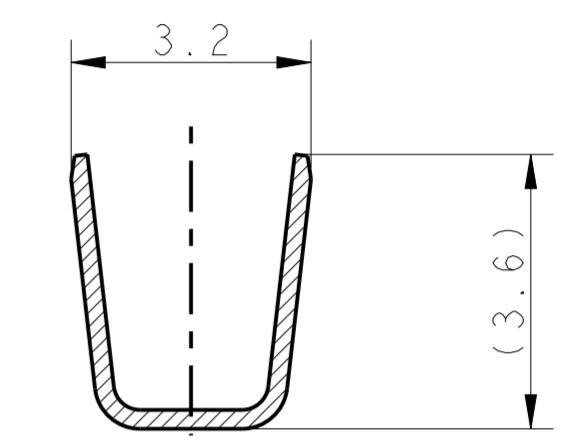
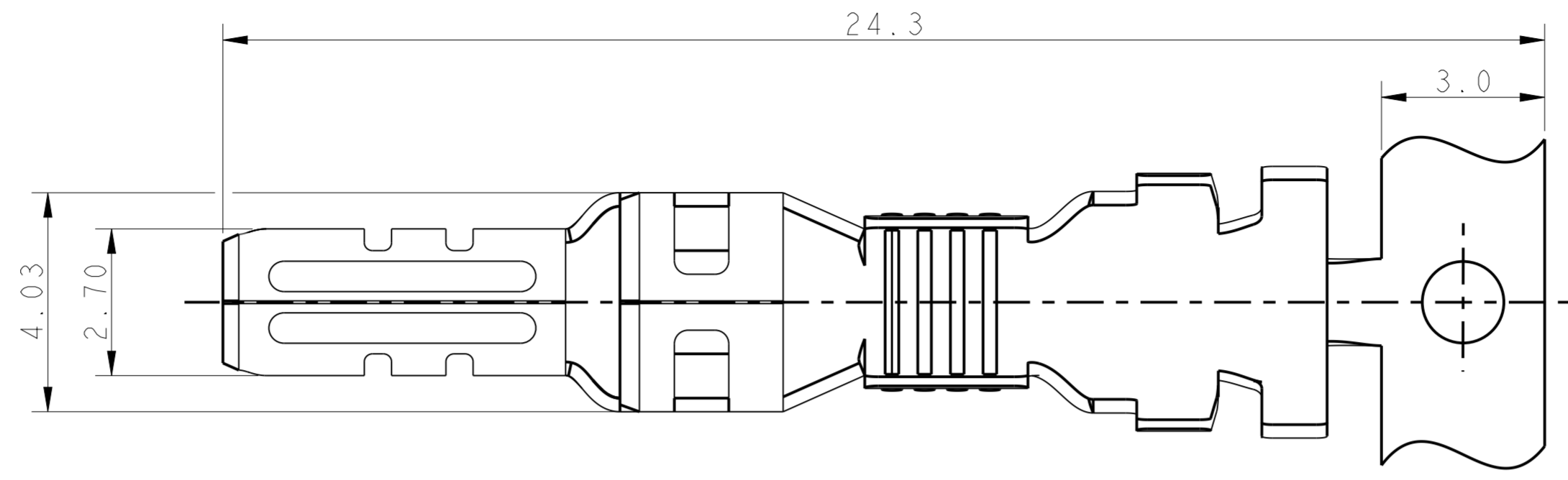


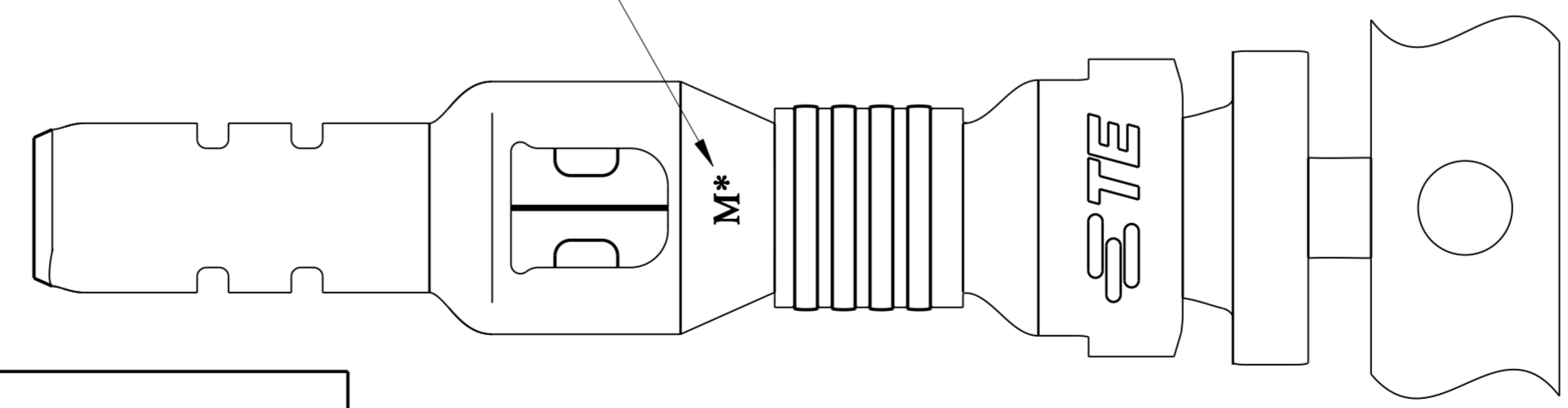
THIS DRAWING IS UNPUBLISHED. RELEASED FOR PUBLICATION 20
 © COPYRIGHT 20 BY - ALL RIGHTS RESERVED.

LOC ES DIST 00

REVISIONS				
P	LTR	DESCRIPTION	DATE	APVD
A2		REVISED PER ECR-14-010857	14AUG2014	NK GJ



MATERIAL MARK



- NOTE:
1. APPLICABLE WIRE: 14AWG COPPER STRANDED
 2. APPLICABLE INSULATION DIAMETER: 3.40~3.70mm
 3. APPLICABLE MATED CAP HOUSING P/N:
 -1971771-/*-1971774-*/*-1971874-*/
 -1971772-/*-1971775-*/*-1971875-*/
 -2232263-/*-2232264-*/*-2232356-*/
 -2232358-/*-2232359-*/*-2232360-*

4. This product has not completed validation testing.

COPPER ALLOY	HIGH(150°C)	M0	1971782-2
BRASS	STANDARD(105°C)	M8	1971782-1
MATERIAL	TEMP. RATING	MATERIAL MARK	PART NO

THIS DRAWING IS A CONTROLLED DOCUMENT.		DWN TOMMY WU 11JUL2011	STE TE Connectivity	
DIMENSIONS: mm		CHK HAPYE WU 11JUL2011		
TOLERANCES UNLESS OTHERWISE SPECIFIED:		APVD YUHONG MAO 11JUL2011	NAME	
0 PLC ± -		PRODUCT SPEC	TAB CONTACT POWER TRIPLE LOCK	
1 PLC ±0.5		APPLICATION SPEC	SIZE CAGE CODE DRAWING NO RESTRICTED TO	
2 PLC ±0.30		108-106118	A2 00779 C-1971782	
3 PLC ±0.30		114-106118	SCALE SHEET 1 OF 1 REV A2	
4 PLC ±		WEIGHT		
ANGLES ±		Customer Drawing		
FINISH PRE-TIN				