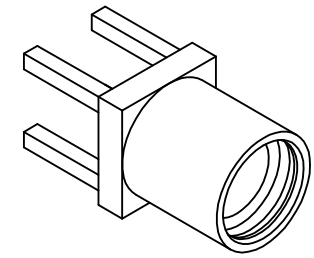
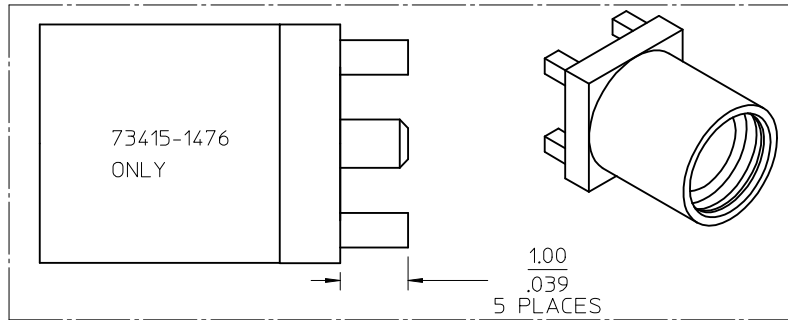


MATERIALS AND FINISHES

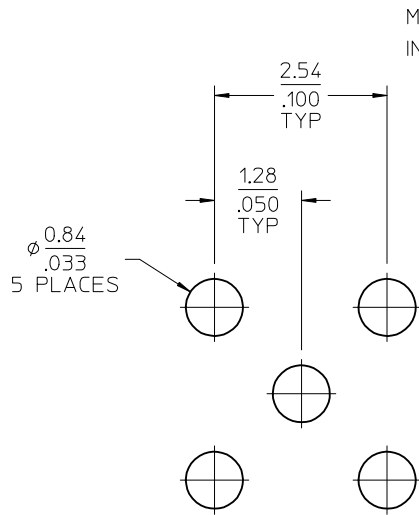
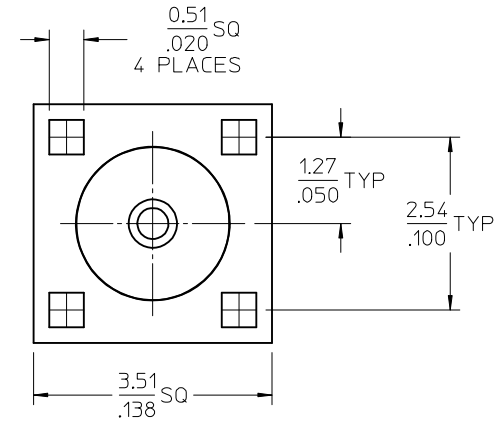
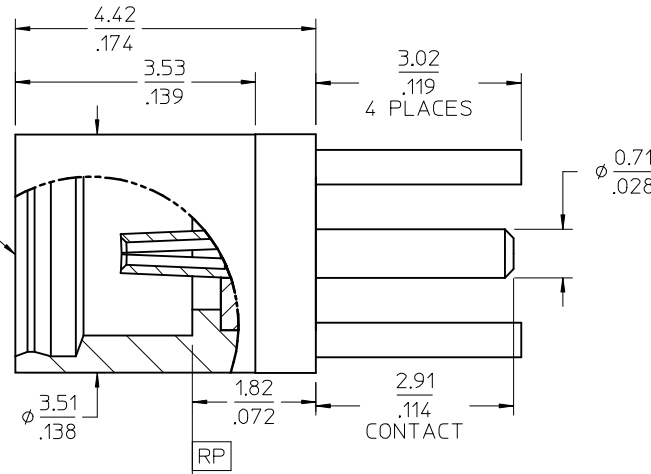
BODY SEE TABLE  
PLATED SEE TABLE

CENTER CONTACT BERYLLIUM COPPER  
PLATED GOLD

INSULATOR TEFLON



NOTE  
PART # 73415-1473 IS  
**(NON-MAGNETIC)**



SUGGESTED PCB LAYOUT

73415-1476	TRAY (1.00 MM LEG LENGTHS)	BRASS/GOLD(PER COMMERCIAL REQUIREMENT)
73415-1475	P/N 73415-1471 WITH TAPE AND REEL	BRASS/GOLD(PER COMMERCIAL REQUIREMENT)
73415-1474	TRAY	BRASS/GOLD(PER COMMERCIAL REQUIREMENT)
73415-1473	BULK	BeCu/GOLD (NON MAGNETIC)
73415-1472	P/N 73415-1471, ONE PER BAG	BRASS/GOLD(PER COMMERCIAL REQUIREMENT)
73415-1471	BULK	BRASS/GOLD(PER COMMERCIAL REQUIREMENT)
73415-1470	BULK	BRASS/GOLD(PER MILITARY REQUIREMENT)
CECC 22 340	INTERFACE	
PS-89675-1920	ELECTRO/MECH PER.	
SPECIFICATION	DESCRIPTION	
	PART NO.	PACKAGING
		MATERIAL/PLATING

CHG: ADDED -1476,  
VIEW,  
EC NO: URF2014-0547  
DRWN:JLEE02 2014/03/31  
CHKD:SS 2014/03/31  
APPR:WSP/INK 2014/04/08  
REV: B9

QUALITY SYMBOLS  
▽=0  
▽=0  
DESCRIPTION

GENERAL TOLERANCES (UNLESS SPECIFIED)

	mm	INCH
4 PLACES	± .005	± .0002
3 PLACES	± .005	± .0002
2 PLACES	± .005	± .0002
1 PLACE	± .005	± .0002

ANGULAR ± 2 °

DRAFT WHERE APPLICABLE  
MUST REMAIN  
WITHIN DIMENSIONS

DIMENSION STYLE  
MM/IN

DRAWN BY DATE  
TEF 2000/01/14

CHECKED BY DATE  
TEF 2000/01/14

APPROVED BY DATE  
GMH 2000/01/14

MATERIAL NO.  
SEE TABLE

SIZE  
C

SCALE  
DESIGN UNITS  
METRIC

THIRD ANGLE PROJECTION

TITLE  
MMCX JACK, PCB MOUNT  
50 OHMS  
MMCX-J/PCB

MOLEX MOLEX INCORPORATED

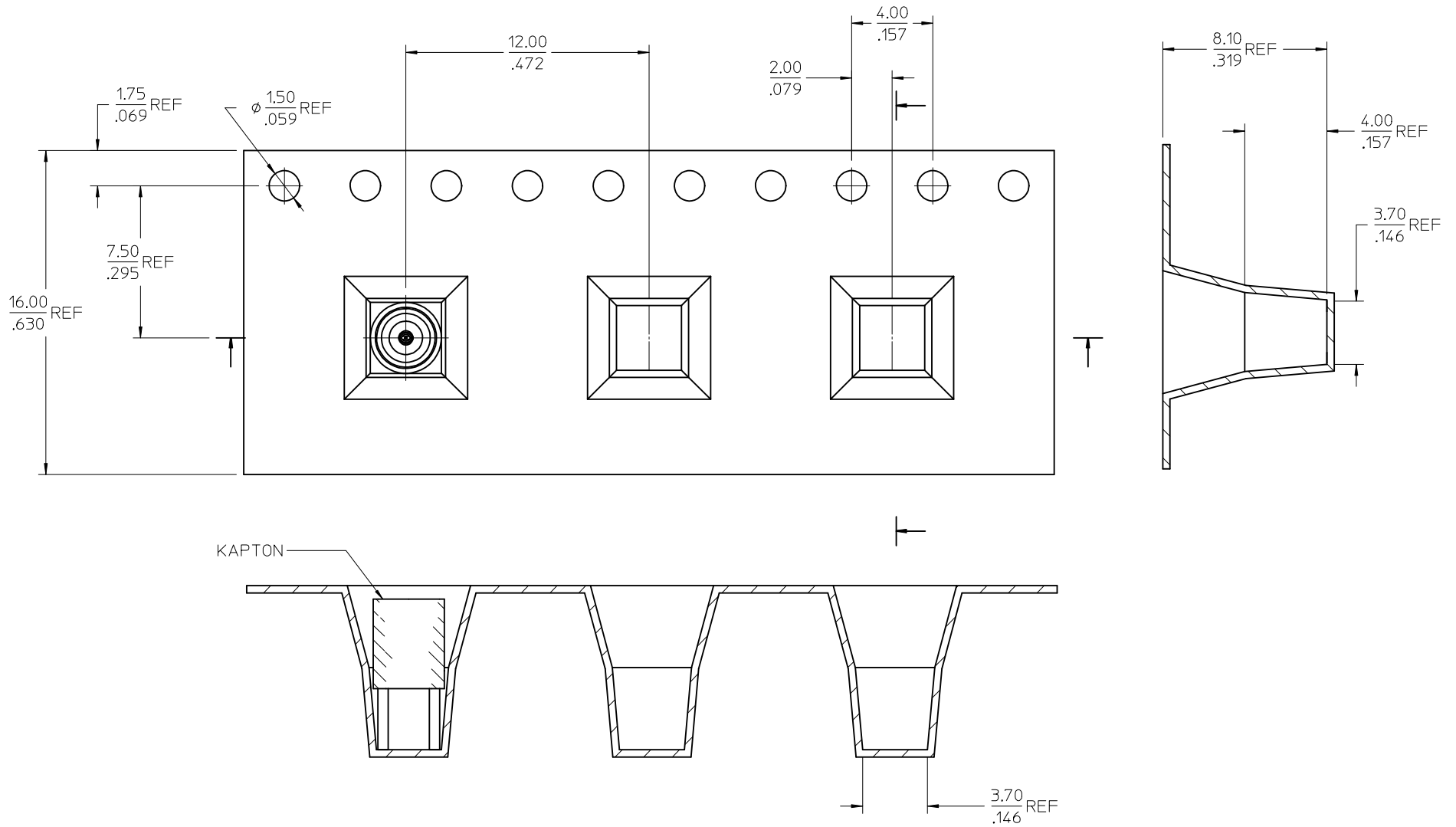
DOCUMENT NO.  
SD-73415-147

SHEET NO.  
1 OF 3

THIS DRAWING CONTAINS INFORMATION THAT IS PROPRIETARY TO MOLEX INCORPORATED AND SHOULD NOT BE USED WITHOUT WRITTEN PERMISSION

NOTE

DIMENSIONS ARE PROVIDED FOR REFERENCE ONLY



KAPTON

CHG: SEE SHEET 1  
 EC NO: URF2014-0547  
 DRWN:JLEE02 2014/03/31  
 CHKD:SS 2014/03/31  
 APPR:WSP/INK 2014/04/08

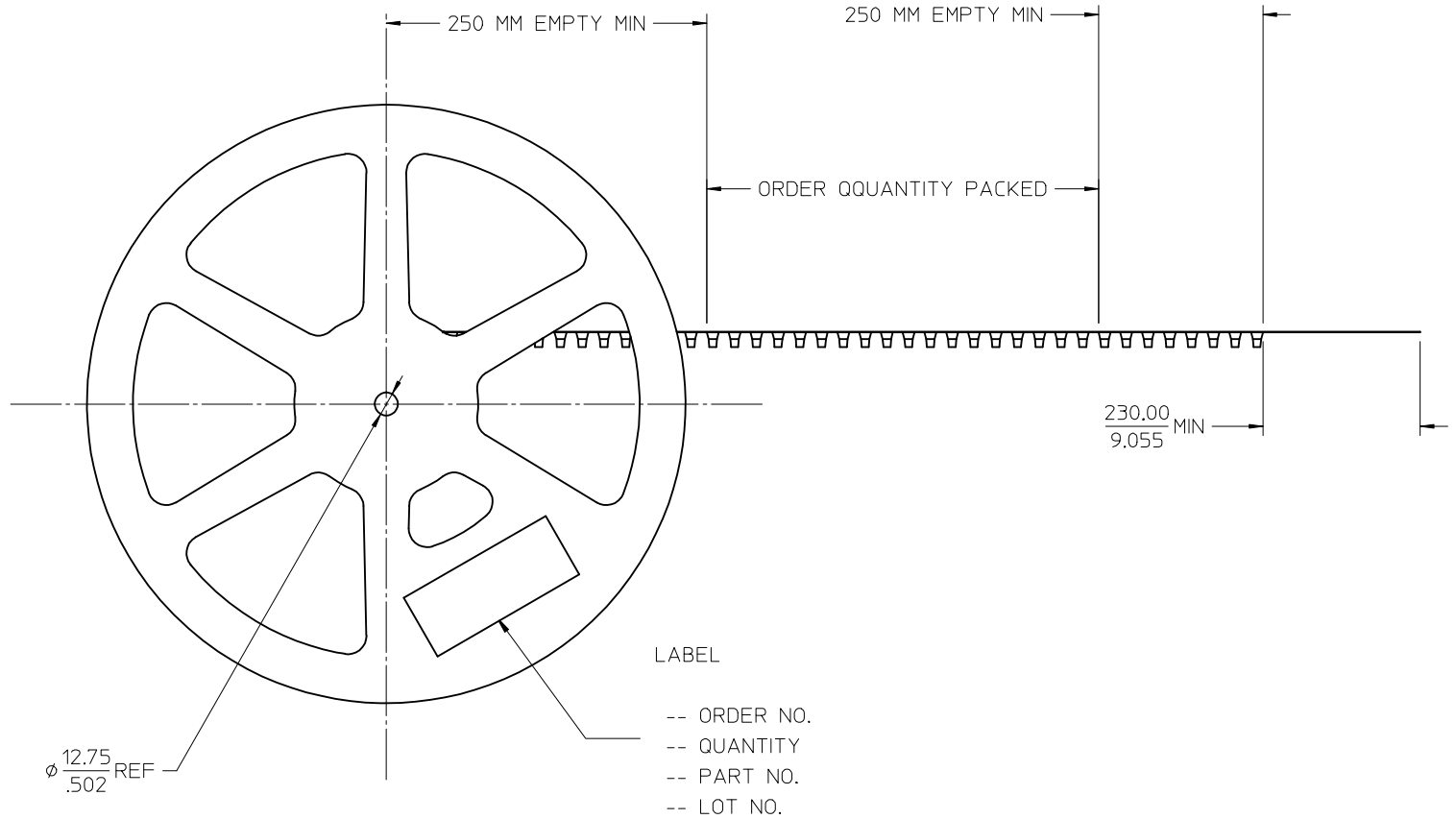
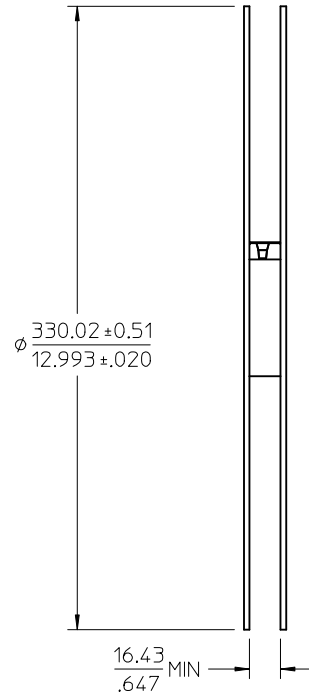
REV	DESCRIPTION
B9	

QUALITY SYMBOLS	
	=0
	=0

GENERAL TOLERANCES (UNLESS SPECIFIED)	
4 PLACES	± 0.15
3 PLACES	± 0.25
2 PLACES	± 0.50
1 PLACE	± 1.00
ANGULAR ± 2°	

DIMENSION STYLE		SCALE	DESIGN UNITS	THIRD ANGLE PROJECTION
MM/IN			METRIC	
DRAWN BY	DATE	TITLE		
TEF	2000/01/14	MMCX JACK, PCB MOUNT		
CHECKED BY	DATE	50 OHMS		
TEF	2000/01/14	MMCX-J/PCB		
APPROVED BY	DATE	MOLEX INCORPORATED		
GMH	2000/01/14	MOLEX INCORPORATED		
MATERIAL NO.	DOCUMENT NO.	SHEET NO.		
SEE TABLE	SD-73415-147	2 OF 3		
THIS DRAWING CONTAINS INFORMATION THAT IS PROPRIETARY TO MOLEX INCORPORATED AND SHOULD NOT BE USED WITHOUT WRITTEN PERMISSION				

13" REEL SIZE



CHG: SEE SHEET 1

EC NO: URF2014-0547  
 2014/03/31  
 DRWN:JLEE02  
 2014/03/31  
 CHKD:SS  
 2014/04/08  
 APPR:WSP/INK

REV: DESCRIPTION

QUALITY SYMBOLS	DESCRIPTION
▽=0	
▽=0	

GENERAL TOLERANCES (UNLESS SPECIFIED)	
mm	INCH
4 PLACES ± .005	± .0004
3 PLACES ± .003	± .0001
2 PLACES ± .002	± .0001
1 PLACE ± .001	± .0001
ANGULAR ± 2°	
DRAFT WHERE APPLICABLE MUST REMAIN WITHIN DIMENSIONS	

DIMENSION STYLE	
MM/IN	
DRAWN BY	DATE
TEF	2000/01/14
CHECKED BY	DATE
TEF	2000/01/14
APPROVED BY	DATE
GMH	2000/01/14
MATERIAL NO.	DOCUMENT NO.
SEE TABLE	SD-73415-147
SIZE C	THIS DRAWING CONTAINS INFORMATION THAT IS PROPRIETARY TO MOLEX INCORPORATED AND SHOULD NOT BE USED WITHOUT WRITTEN PERMISSION

SCALE	DESIGN UNITS	THIRD ANGLE PROJECTION
	METRIC	
TITLE		
MMCX JACK, PCB MOUNT		
50 OHMS		
MMCX-J/PCB		
MOLEX MOLEX INCORPORATED		
SHEET NO.		3 OF 3